

AEG

POWERTOOLS

PS 216 L, PS 254 L

Original instructions

Originalbetriebsanleitung

Notice originale

Istruzioni originali

Manual original

Manual original

Oorspronkelijke gebruiksaanwijzing

Original brugsanvisning

Original bruksanvisning

Bruksanvisning i original

Alkuperäiset ohjeet

Πρωτότυπο οδηγιών χρήσης

Orijinal işletme talimatı

Původním návodem k používání

Pôvodný návod na použitie

Instrukcja oryginalna

Eredeti használati utasítás

Izvirna navodila

Originalne pogonske upute

Instrukcijâm oriëinâlvalodâ

Originali instrukcija

Algupärane kasutusjuhend

Оригинальное руководство по эксплуатации

Оригинално ръководство за експлоатация

Instruçiuni de folosire originale

Оригинален прирачник за работа

Оригінал інструкції з експлуатації

التعليمات الأصلية

Technical Data, Safety Instructions, Specified Conditions of Use, EC-Declaration of Conformity, Mains connection, Maintenance, Symbols	Please read and save these instructions!	English	20
Technische Daten, Sicherheitshinweise, Bestimmungsgemäße Verwendung, CE-Konformitätserklärung, Netzanschluss, Wartung, Symbole	Bitte lesen und aufbewahren!	Deutsch	23
Caractéristiques techniques, Instructions de sécurité, Utilisation conforme aux prescriptions, Déclaration CE de Conformité, Branchement secteur, Entretien, Symboles	A lire et à conserver soigneusement	Français	26
Dati tecnici, Norme di sicurezza, Utilizzo conforme, Dichiarazione di Conformità CE, Collegamento alla rete, Manutenzione, Simboli	Si prega di leggere e conservare le istruzioni!	Italiano	29
Datos técnicos, Instrucciones de seguridad, Aplicación de acuerdo a la finalidad, Declaración de Conformidad CE, Conexión eléctrica, Mantenimiento, Símbolos	Lea y conserve estas instrucciones por favor!	Español	32
Características técnicas, Instruções de segurança, Utilização autorizada, Declaração de Conformidade CE, Ligação à rede, Manutenção, Símbolo	Por favor leia e conserve em seu poder!	Português	35
Technische gegevens, Veiligheidsadviezen, Voorgeschreven gebruik van het systeem, EC-Konformiteitsverklaring, Net aansluiting, Onderhoud, Symbolen	Lees en let goed op deze adviezen!	Nederlands	38
Tekniske data, Sikkerhedshenvisninger, Tiltænkning formål, CE-Konformitetserklæring, Netttilslutning, Vedligeholdelse, Symboler	Vær venlig at læse og opbevare!	Dansk	41
Tekniske data, Spesielle sikkerhetshenvisninger, Formålsmessig bruk, CE-Samsvarserklæring, Nettettkopling, Vedlikehold, Symboler	Vennligst les og oppbevar!	Norsk	44
Tekniska data, Säkerhetsutrustning, Använd maskinen Enligt anvisningarna, CEFörsäkrad, Nätanslutning, Skötsel, Symboler	Läs igenom och spara!	Svenska	47
Tekniset arvot, Turvallisuusohjeet, Tarkoituksenmukainen käyttö, Todistus CE-standardinmukaisuudesta, Verkkoliitäntä, Huolto, Symbolit	Lue ja säilytä!	Suomi	50
Τεχνικά στοιχεία, Ειδικές υποδείξεις ασφαλείας, Χρήση σύμφωνα με το σκοπό προορισμού, Δήλωση πιστότητας ΕΚ, Μπαταρίες, Χαρακτηριστικά, Συντήρηση, Σύμβολα.	Παρακαλώ διαβάστε τις και φυλάξτε τις!	Ελληνικά	53
Teknik veriler, Güvenliğinizi için talimatlar, Kullanım, CE uygunluk beyanince, Şebeke bağlantısı, Bakım, Semboller	Lütfen okuyun ve saklayın	Türkçe	56
Technická data, Speciální bezpečnostní upozornění, Oblast využití, Ce-prohlášení o shodě, Připojení na síť, Údržba, Symboly	Po přečtení uschovejte	Česky	59
Technické údaje, Špeciálne bezpečnostné pokyny, Použitie podľa a predpisov, CE-Vyhlasenie konformity, Sieťová prípojka, Údržba, Symboly	Prosím prečítať a uschovať!	Slovensky	62
Dane techniczne, Specjalne zalecenia dotyczace bezpieczenstwa, Uzytkowanie zgodne z przeznaczeniem, Swiadectwo zgodnosci ce, Podlaczenie do sieci, Gwarancja, Symbole	Należy uważnie przeczytać i zachować do wglądu!	Polski	65
Műszaki adatok, Különleges biztonsági tudnivalók, Rendeltetésszerű használat, CE-azonossági nyilatkozat, Hálózati csatlakoztatás, Karbantartás, Szimbólumok	Olvassa el és őrizze meg	Magyar	68
Tehnični podatki, Specialni varnostni napotki, Uporaba v skladu z namembnostjo, CE-izjava o konformnosti, Omrežni priključek, Vzdrževanje, Simboli	Prosimo preberite in shranite!	Slovensko	71
Tehnički podaci, Specijalne sigurnosne upute, Propisna upotreba, CE-Izjava konformnosti, Priključak na mrežu, Održavanje, Simboli	Molimo pročitati i sačuvati	Hrvatski	74
Tehniskie dati, Speciālie drošības noteikumi, Noteikumiem atbilstošs izmantojums, Atbilstība CE normām, Tikla pieslēgums, Apkope, Simboli	Pielikums lietošanas pamācībai	Latviski	77
Techniniai duomenys, Ypatingos saugumo nuorodos, Naudojimas pagal paskirti, CE Atitikties pareiškimas, Elektros tinklo jungtis, Techninis aptarnavimas, Simboliai	Prašome perskaityti ir neišmesti!	Lietuviškai	80
Tehnised andmed, Spetsiaalsed turvajuhtised, Kasutamine vastavalt otstarbele, EÜ Vastavusavaldus, Võrku ühendamine, Hooldus, Sümbolid	Palun lugege läbi ja hoidke ala!	Eesti	83
Технические данные, Рекомендации по технике безопасности, Использо- вание, Подключение к электросети, Обслуживание, Символы	Пожалуйста прочтите и сохраните эту инструкцию.	Русский	86
Технически данни, Специални указания за безопасност, Използване по предназначение, CE-Декларация за съответствие, Свързване към мрежата, Поддръжка, Символи	Моля прочетете и запазете!	Български	89
Date tehnice, Instrucțiuni de securitate, Condiții de utilizare specifice, Declarație de conformitate, Accumulatori, Întreținere, Simboluri	Va rugăm citiți și păstrați aceste instrucțiuni	Română	92
Технички Податоци, Упатство За Употреба, Специфицирани Услови На Употреба, Еу-декларација За Сообразност, БАТЕРИИ, Одржување, Символи	Ве молиме прочитајте го и чувајте го ова упатство!	Македонски	95
Технічні характеристики, Вказівки З Техніки Безпеки, Використання за призначенням, Сертифікат Відповідності Вимогам Єс, Підключення до мережі, Обслуговування, Символи	Прочитайте та збережіть цю інструкцію.	Українська	98
تعليمات السلامة، شروط الاستخدام المحددة، توصيل الموصلات الرئيسية، إعلان المطابقة - الاتحاد الأوروبي، الصيانة الرموز	يرجى قراءة وحفظ هذه التعليمات!	العربية	103





6



3

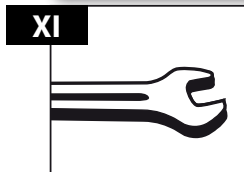
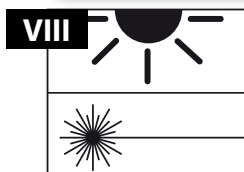
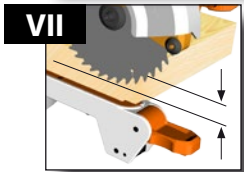
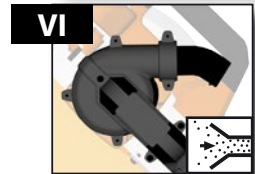
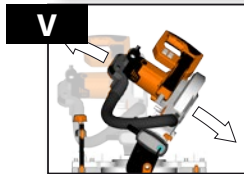
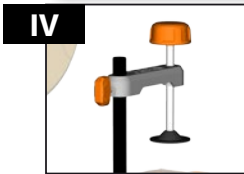
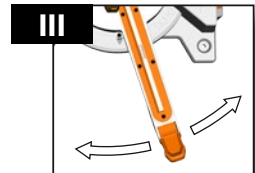
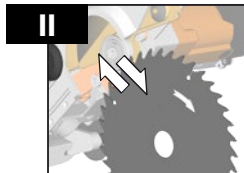
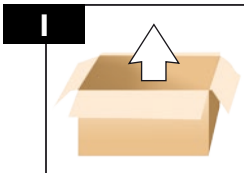


8



8



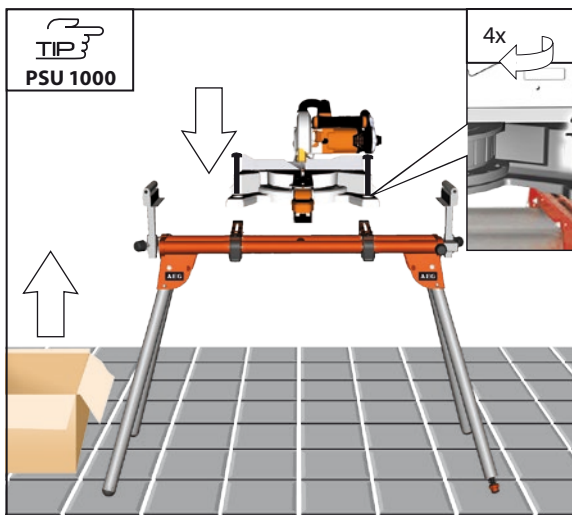
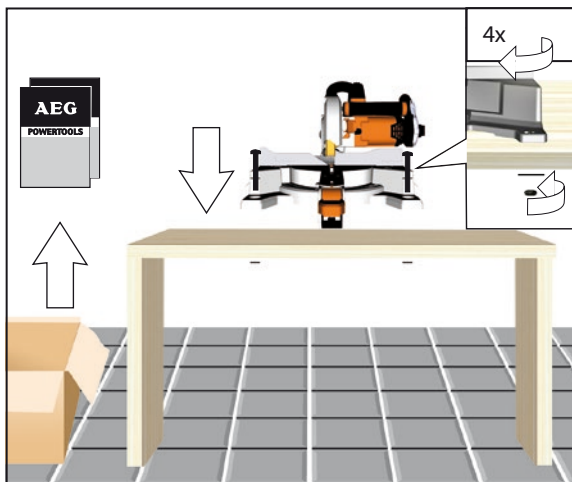
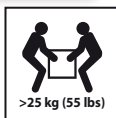
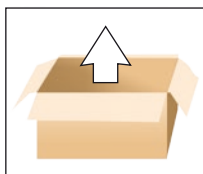


XII

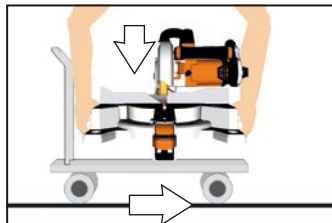
XIII

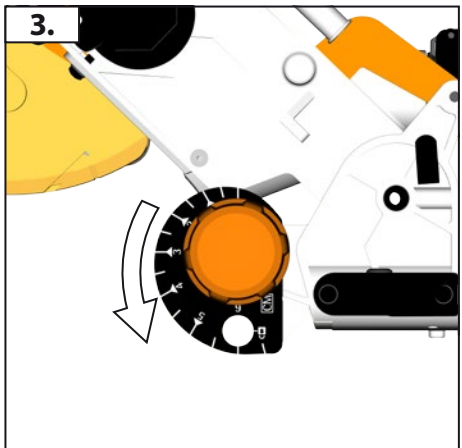
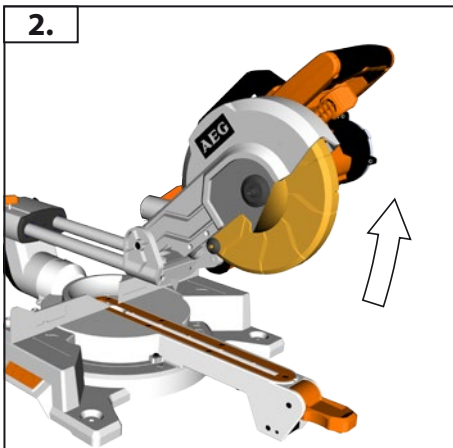
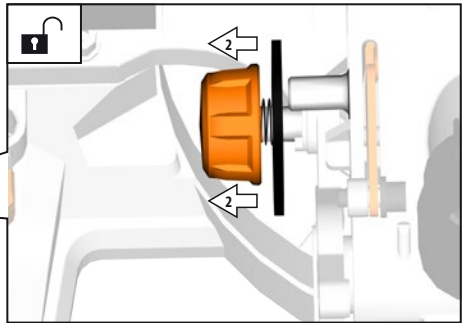
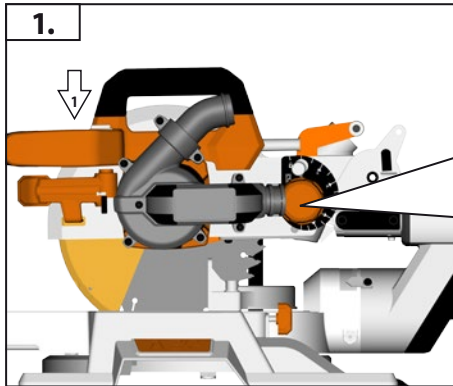
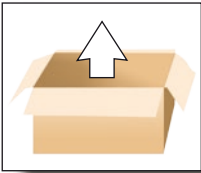
Technische Daten · Technical Data
 Caractéristiques techniques · Data
 Características técnicas · Technik
 data · Technické údaje · podaci
 Tehnički podaci · podaci
 Tehnische gegevens · gegevens
 Технические данные · техниче
 данные · Technische gegevens

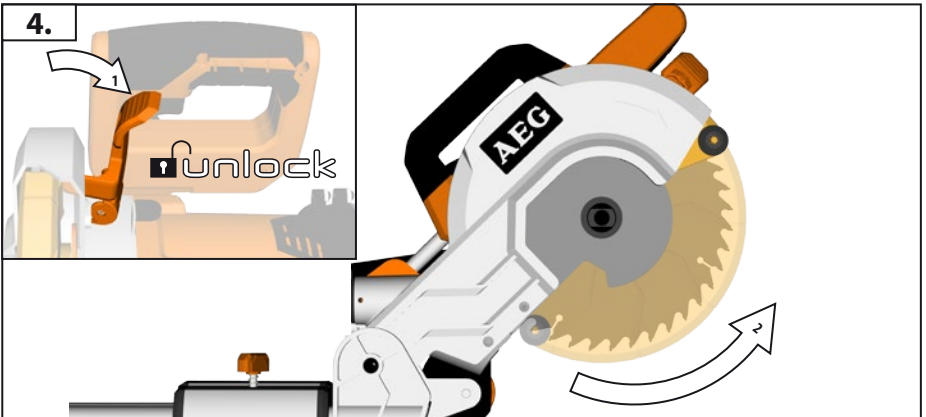
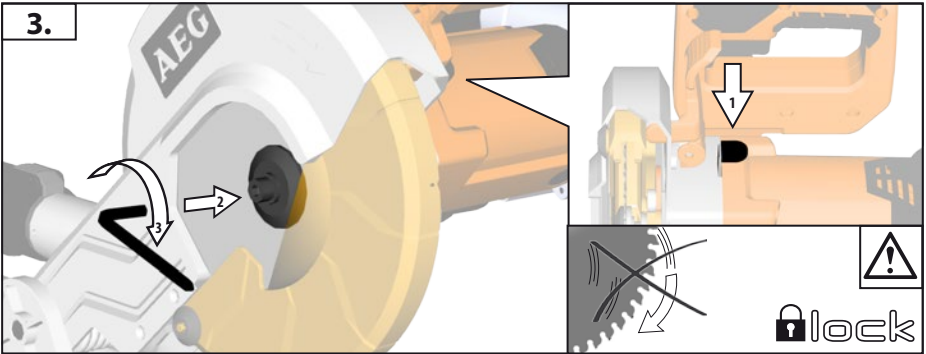
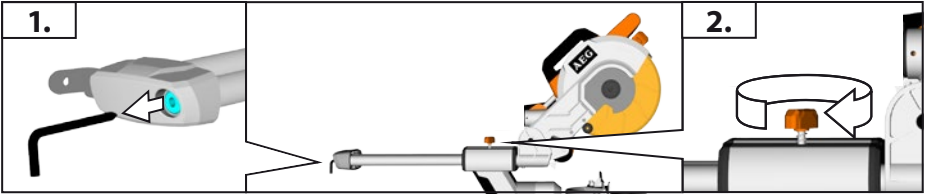
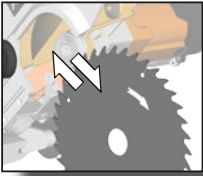
Accessory
Zubehör
Accessoires
Accessorio
 Accessorio · Acessório
 Toebehoren · Tilbehør
 Tilbehør · Tillbehör
 Lisälaite · Εξαρτήματα
 Aksesuar · Příslušenství
 Príslušenstv · Wyposażenie
 Azokát a tartozékokat
 Oprema · Piederumi
 Priedas · Tarvikud
 Дополнитель · Аксессуары
 Accessorii · ополнителна
 опрема · Комплектуючі
 الملحوق

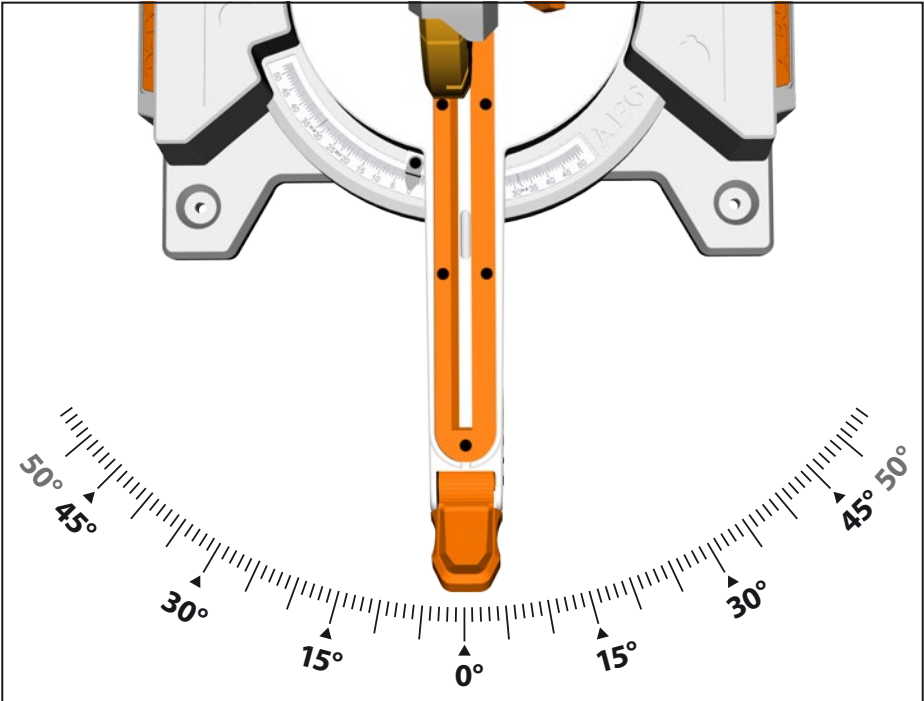
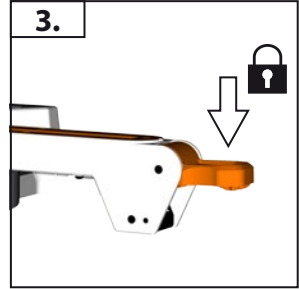
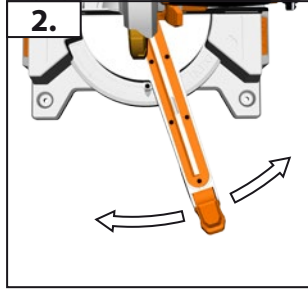
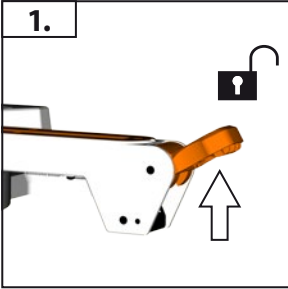
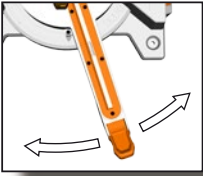


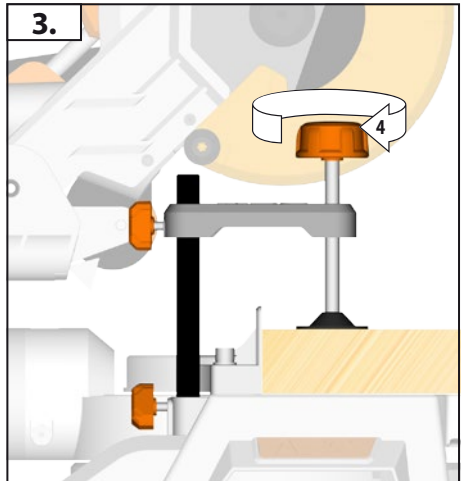
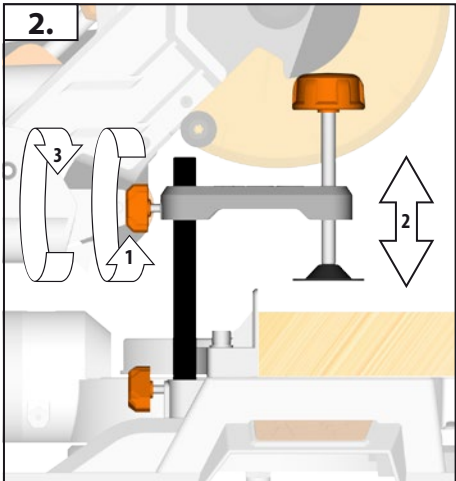
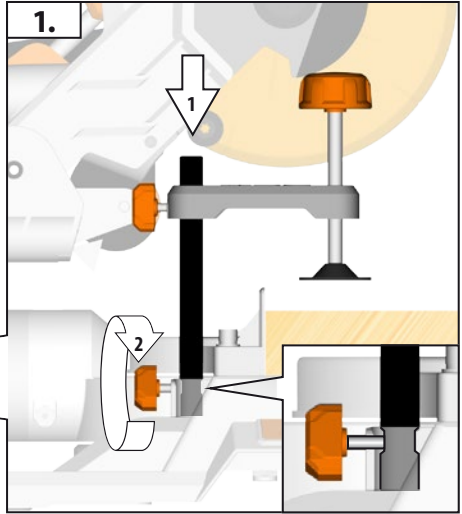
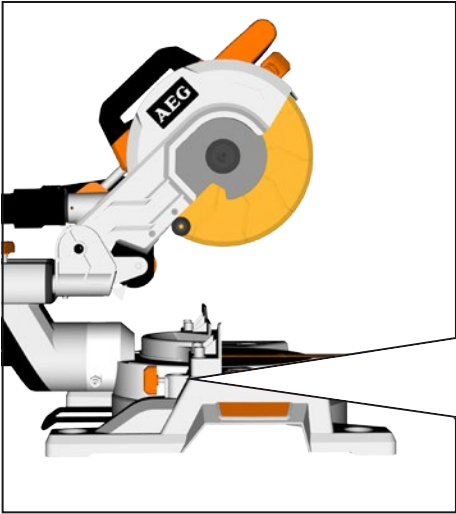
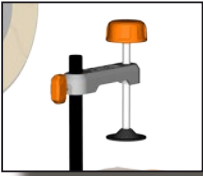
Not included in standard equipment.
Im Lieferumfang nicht enthalten.
Ces pièces ne font pas partie de la livraison.
on incluso nella dotazione standard.
No incluido en el equipo estándar.
NÃO incluso no equipamento normal.
Wordt niet meegeleverd.
Ikke inkludert i leveringsomfanget.
Inngår ikke i leveransen.
Ingår ej i leveransomfånget.
Ei sisälly vakiovarustukseen.
Δεν συμπεριλαμβάνεται
Teslimat kapsamında değildir.
V dodávce neobsaženo.
Neobsahuje štandardná výbava.
Nie stanowi wyposażenia standardowego
Nem tartozéka a készüléknek.
Ni v obsegu dobave.
U opsegu isporuke nije sadržano.
Komplektācijā nav ietverts.
Nejeina j komplektācijā.
Ei kuulu tarne komplekti.
He входит в объем поставки
He e включено в обема на доставката.
Nu este inclus în echipamentul standard
He e включено во стандардна опрема
He входит в обсяг поставчання.
ليس مدرجًا كمعدة قياسية

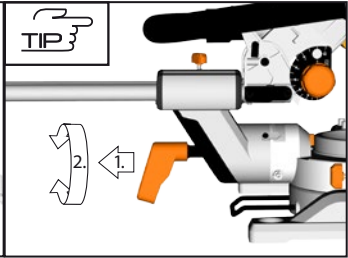
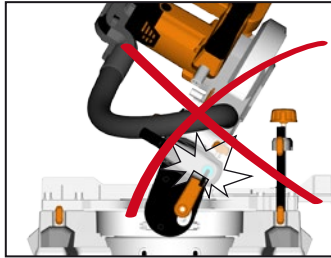
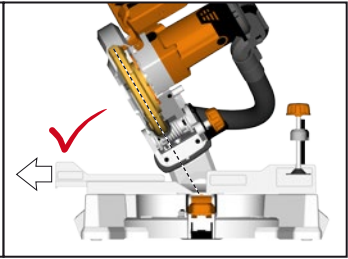
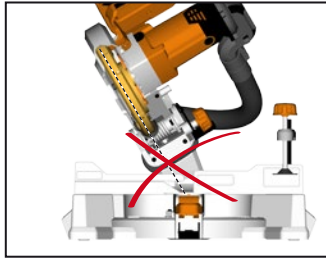
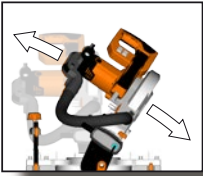




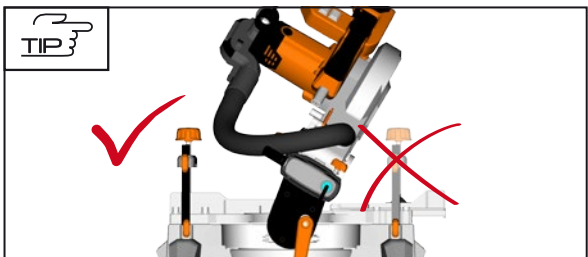
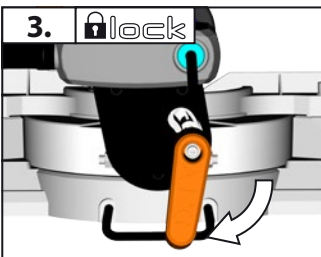
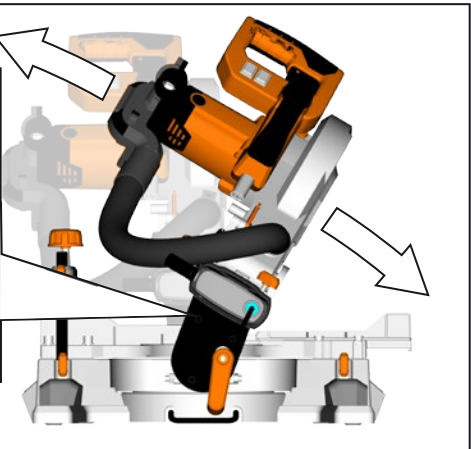
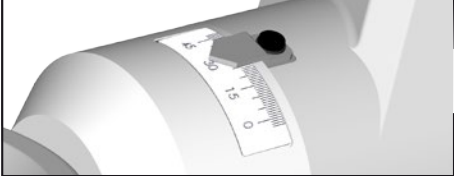
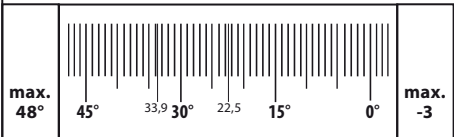


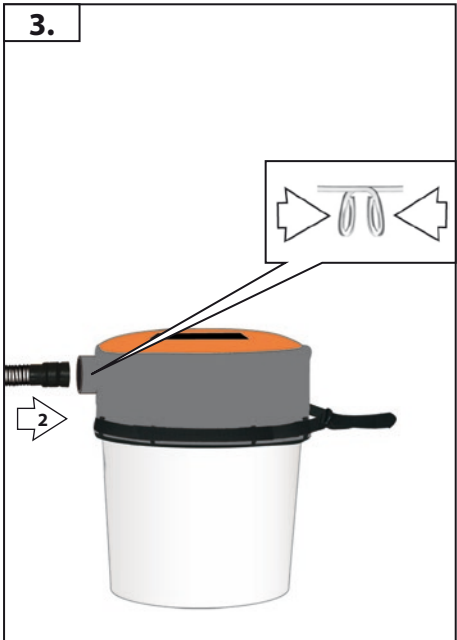
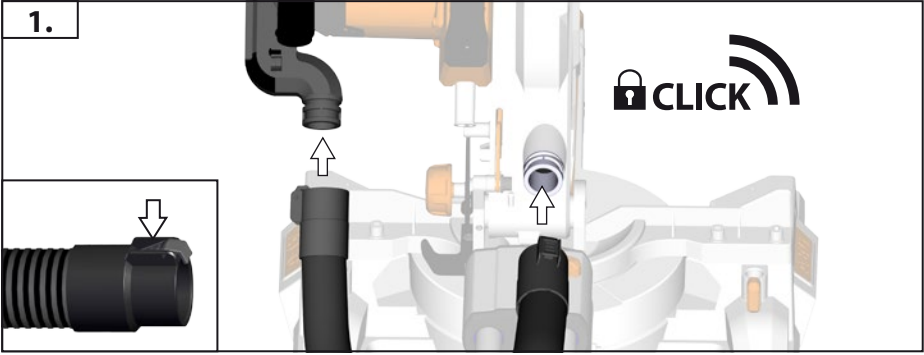
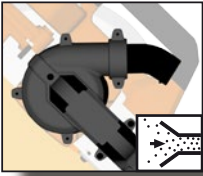


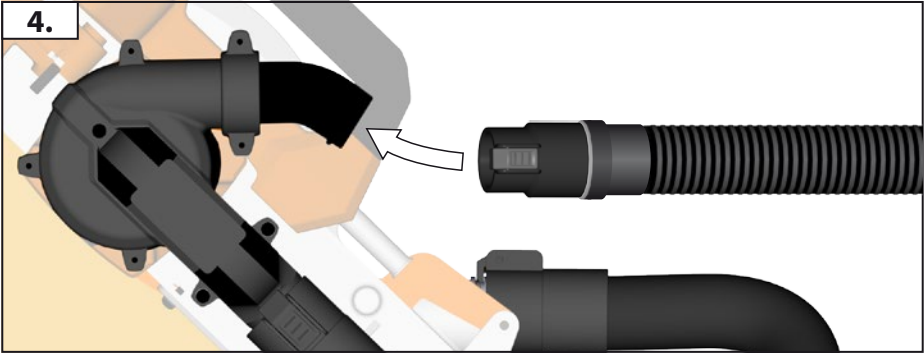
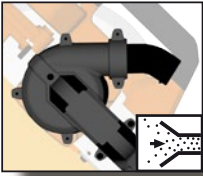




2.







VI

TIP

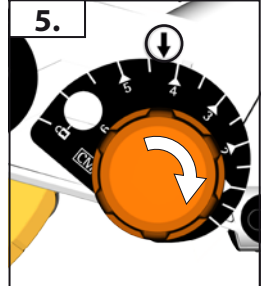
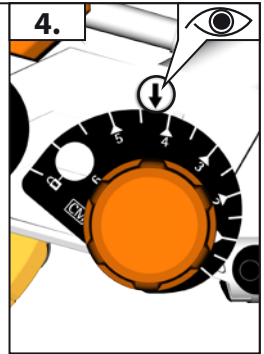
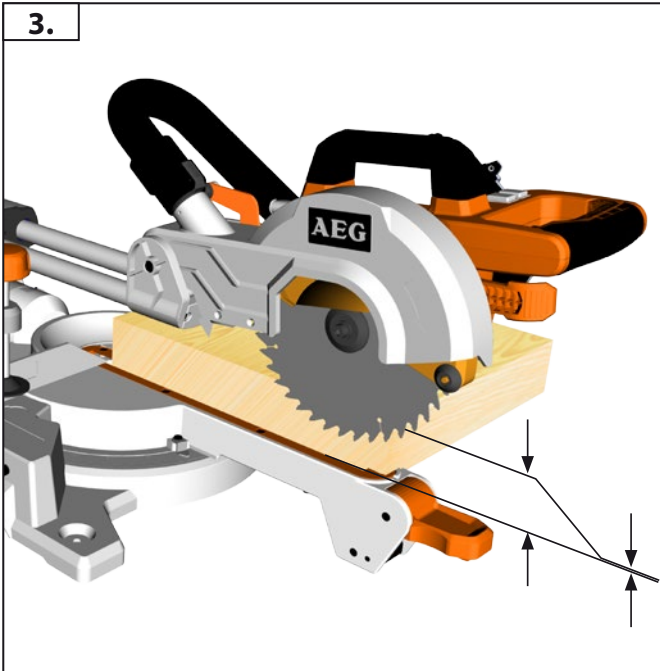
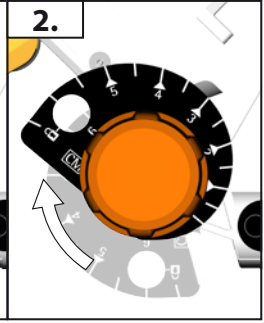
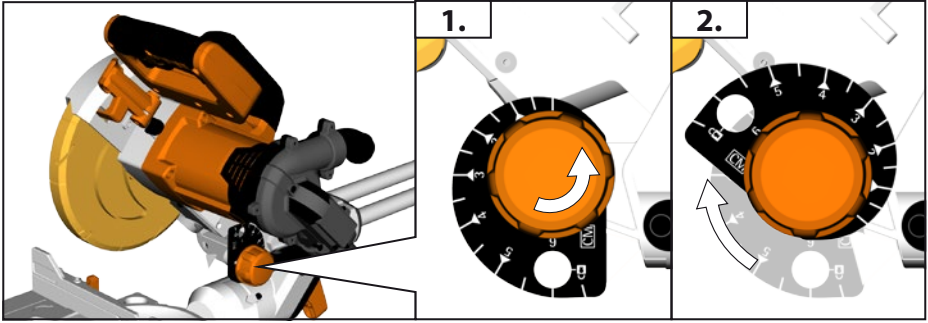
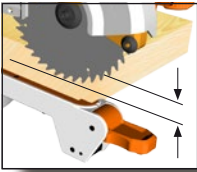
Ø 32

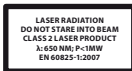
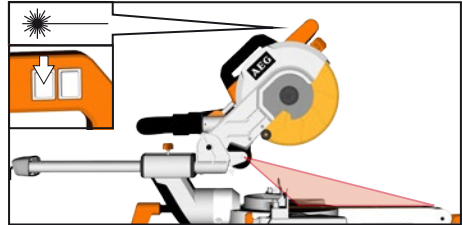
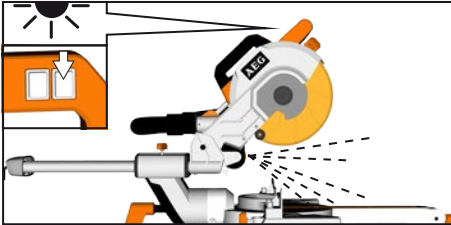
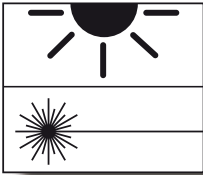
No. 4931 4406 77

No. 4931 4164 63

Ø 36

No. 4931 4406 78





We have supplied you with an adhesive label in your language and now request that you please apply this in place of the English text on the specification plate before first commissioning the machine.

Überkleben Sie den englischen Text auf dem Leistungsschild vor der ersten Inbetriebnahme mit dem mitgelieferten Aufkleber in Ihrer Landessprache.

Avant la première mise en service, collez l'autocollant livré dans votre langue nationale sur le texte anglais de la plaquette signalétique.

Prima della prima messa in esercizio, coprire il testo inglese della targhetta di fabbrica con l'etichetta fornita a corredo nella Sua lingua nazionale.

Tape el texto en inglés en la placa indicadora de potencia antes de la puesta en funcionamiento con la etiqueta suministrada en el idioma de su país.

Por favor, cole o autocolante na sua língua nacional juntado sobre o texto em inglês na placa das características do equipamento antes da primeira colocação em serviço.

Plak de Engelse tekst op het vermogensplaatje vóór de eerste inbedrijfstelling af met de bijgeleverde sticker in uw taal.

Inden idriftsættelse første gang skal den medfølgende mærkat med dansk tekst klæbes oven på den engelske tekst på mærkepladen.

Før første ibrugtagning skal det klisteres over prestasjonsetiketten med opplysningsnr på engelsk språk. Til dette er det vedlagt et klebemerke med opplysninger på deres språk.

Före första idrifttagning: Klistera över den engelska texten på märkskylten med medföljande etikett på det aktuella landets språk.

Liimaa ennen ensimmäistä käyttöönottoa mukana toimitettu maasi kielineen tarra laitteen tyypikkilven englanninkielisen tekstin päälle.

Прин την πρώτη θέση σε λειτουργία κολλήστε την συμπαράδομένη αυτοκόλλητη ετικέτα στοιχείων με κείμενο στη μητρική σας γλώσσα πάνω στο αγγλικό κείμενο.

İlk defa çalıştırılmaya başlanmadan önce birlikte gönderilen yapıştırmacı ile kendi ülke lisanınızda İngilizce metni verim tabelasının üzerine yapıştırınız.

Před prvním zprovozněním přelepte anglický text na výkonovém štítku samolepkou s českým textem, která je součástí dodávky.

Pred prým uvedením do prevádzky prelepte anglický text na výkonovom štítku samolepkou so slovenským textom, ktorá je súčasťou dodávky.

Przed pierwszym uruchomieniem należy nakleić na angielski tekst tabliczki mocy załączoną naklejkę w języku Pańskiego kraju.

Ragassza az első üzembehelyezés előtt az anyanyelvén mellékelt matricát a teljesítménytáblán lévő angol nyelvű szövegre.

Pred prvím zagonom prelepite angloško besedilo na podatkovni tablici z dobavljeno nalepkou v jeziku vaše države.

Oblijepite engleski tekst na pločici snage prije prvotnog puštanja u rad sa susporučenom naljepnicom na Vašem jeziku.

Pirms pirmās pieņemšanas ekspluatācijā angļu valodas teksts firmas dēlīti ir jāaizlīmē ar piegādāto uzlīmi Jūsu dzimtā valodā.

Prieš pradėdami eksploatuoti, užklijuokite pridėtą lipduką valstybinę kalbą ant teksto anglų kalba duomenų lentelėje.

Enne ekspluatatsiooni võtmist tuleb ingliskeelsele tekstile firmalaval peale liimida vastav kleebis Teie emakeeles.

Перед первым вводом в эксплуатацию заклейте английский текст на фирменной табличке прилагаемой наклейкой на вашем языке.

Преди първото пускане в експлоатация залепете приложената лепенка на Вашия език върху английския текст на табелката с технически характеристики.

Lipiti eticheta livrată în limba țării dvs., înainte de prima punere în funcțiune, peste textul în engleză de pe tablita indicatoare a caracteristicilor mașinii.

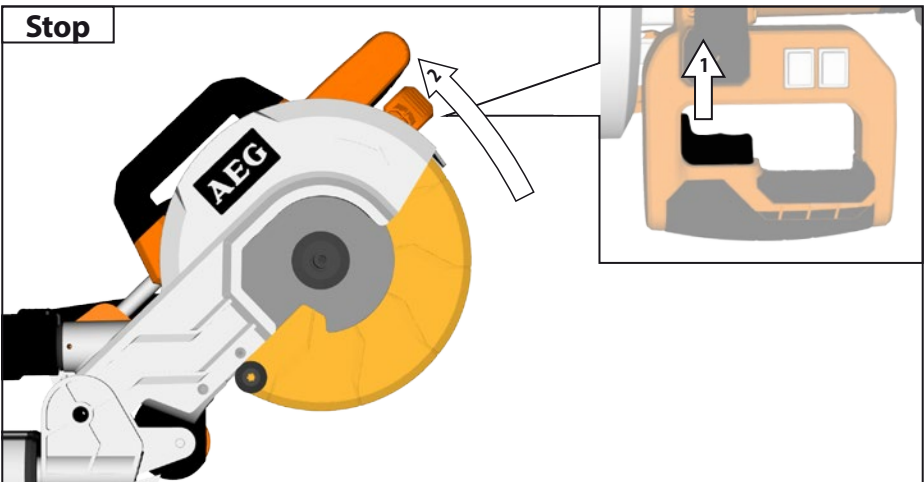
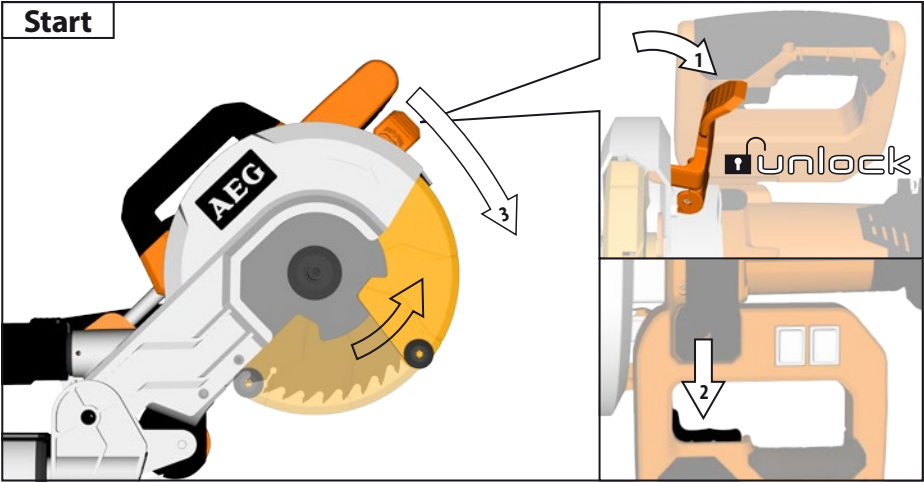
Перед првото пуштање в употреба поставте ја доставената лепенка на јазикот на вашата земја врз текстот на англиски јазик што се наоѓа на плочката со карактеристики.

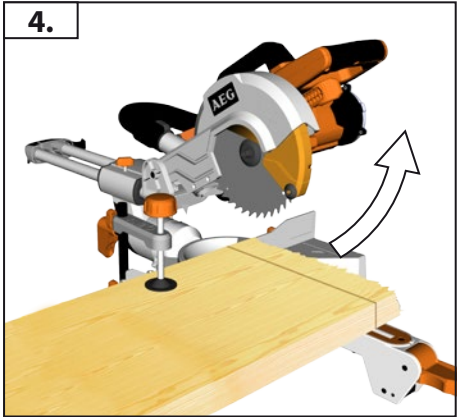
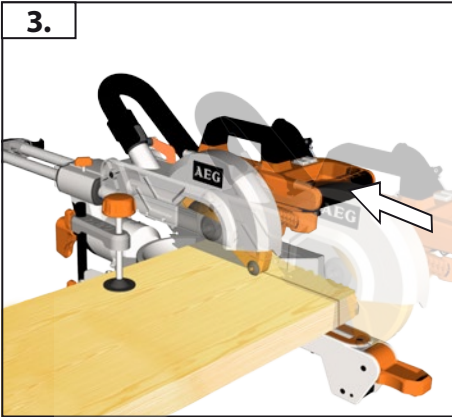
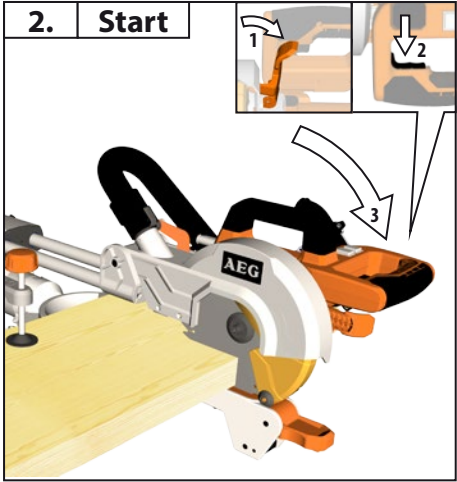
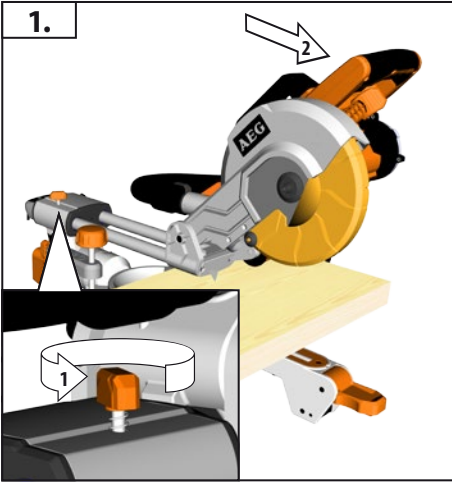
Заклејте текст английською мовою на фірмовій табличці перед введенням в експлуатацію доданою наклейкою мовою вашої країни.

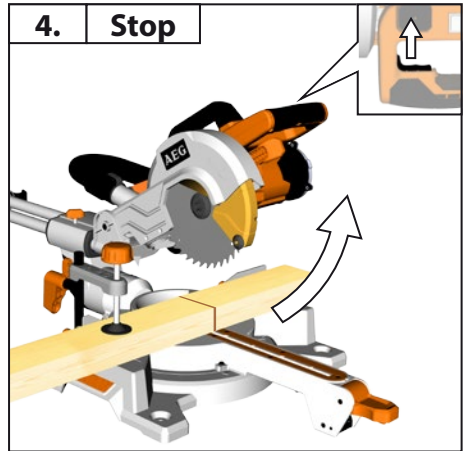
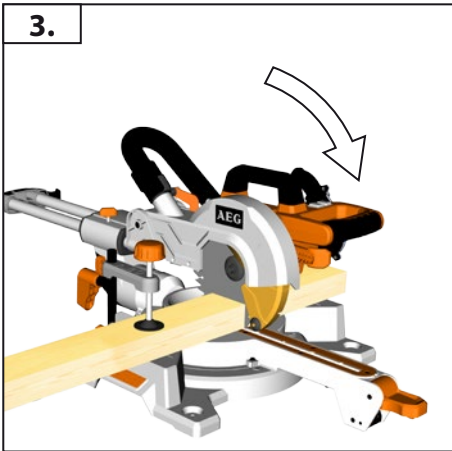
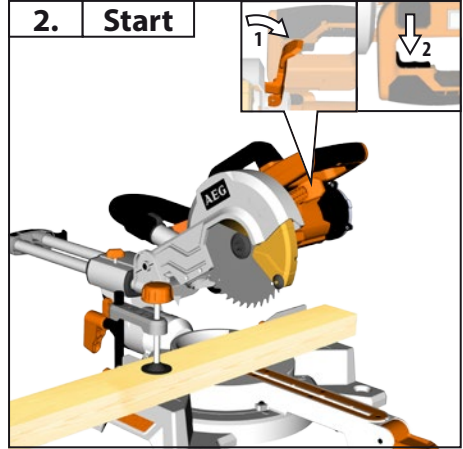
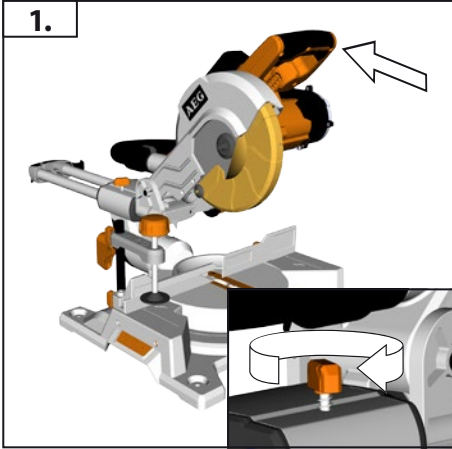
لقد وفرنا لك بطاقة لاصقة بلغتك والان نطلب منك وضعها في مكان النص الإنجليزي على لوحة المواصفات قبل إعداد التشغيل الأولي للماكينة.

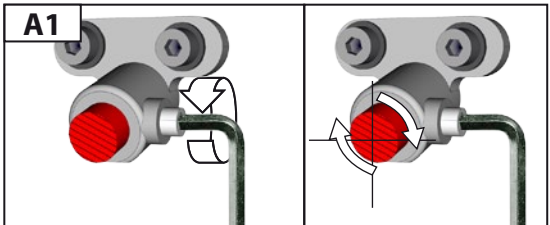
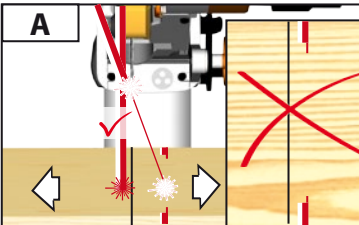
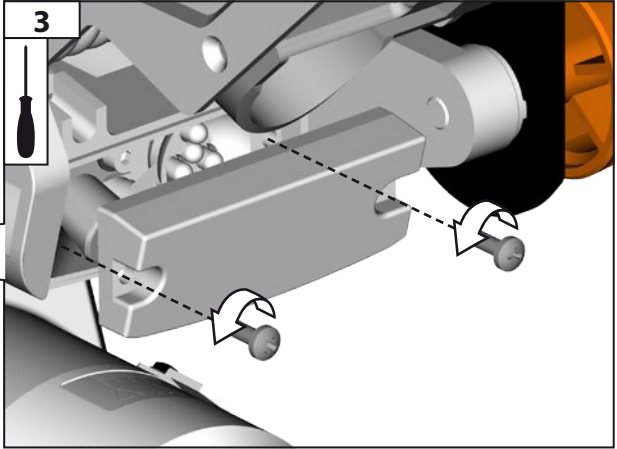
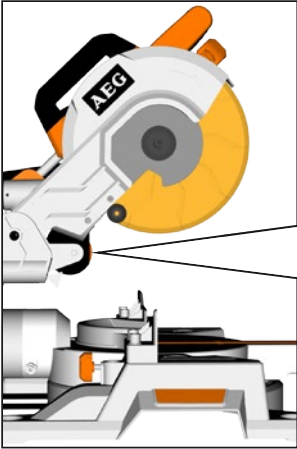
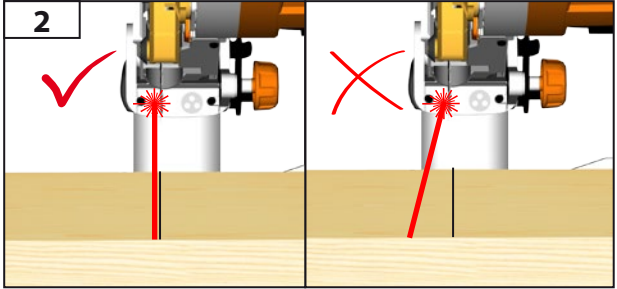
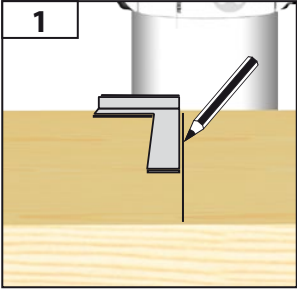


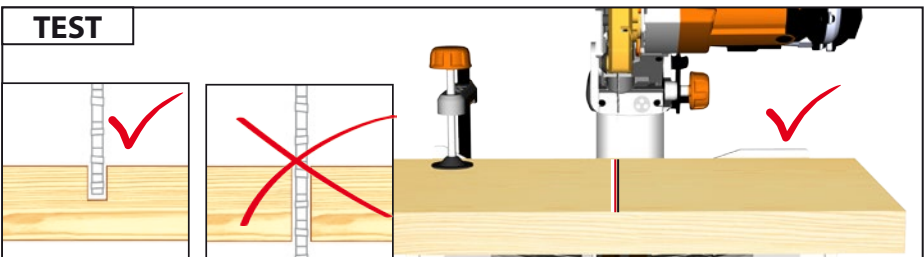
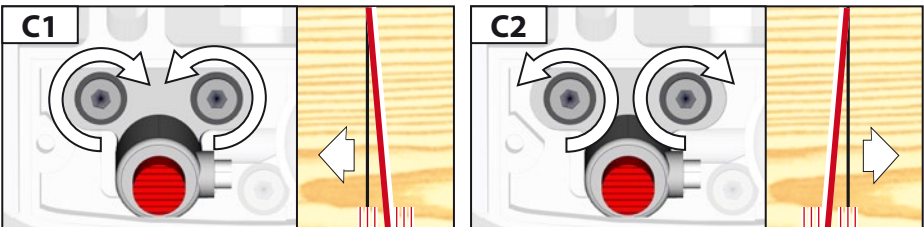
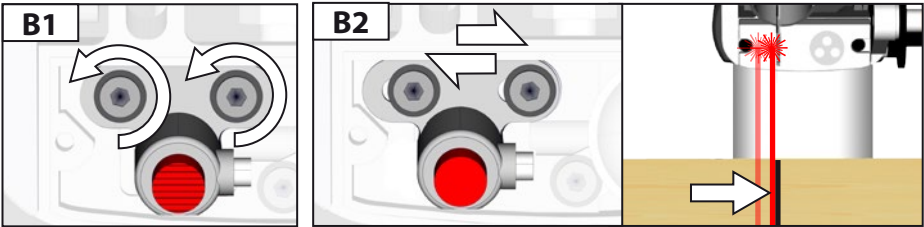
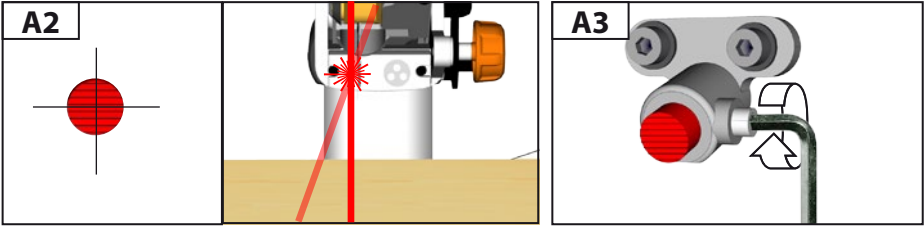
START
STOP
IX

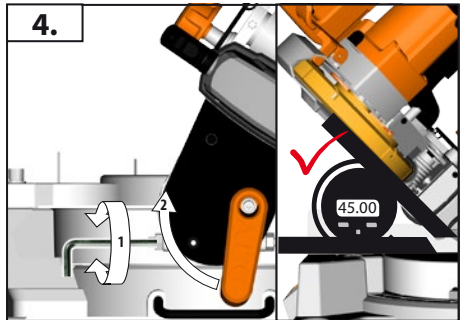
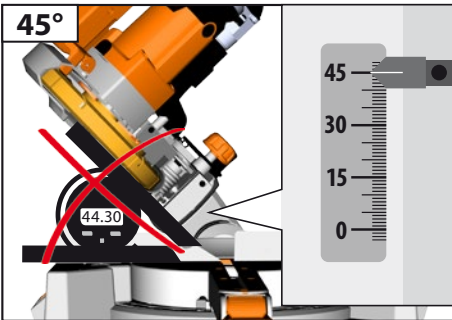
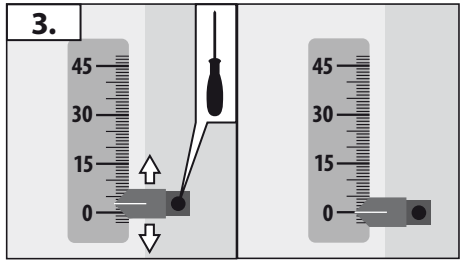
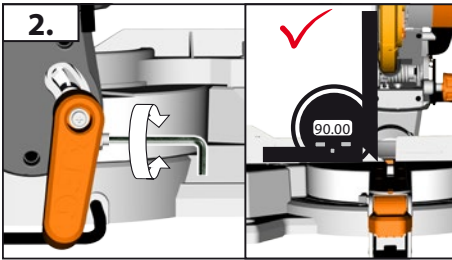
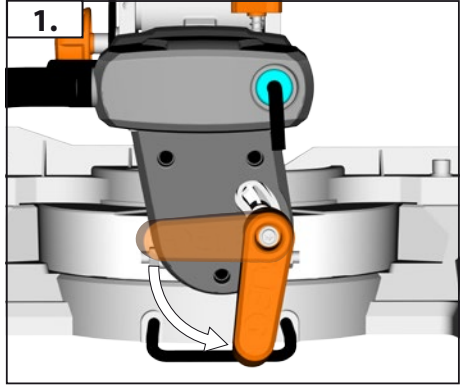
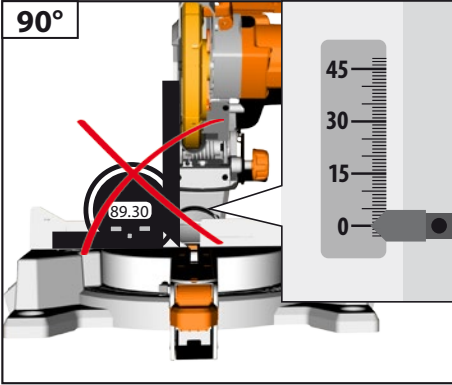


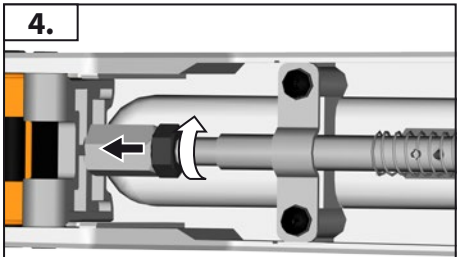
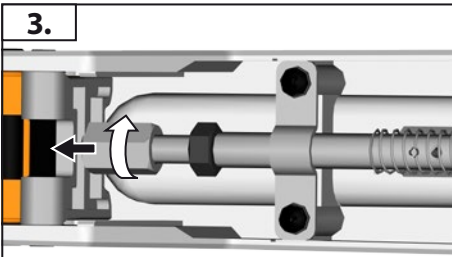
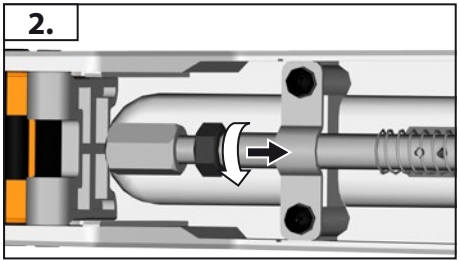
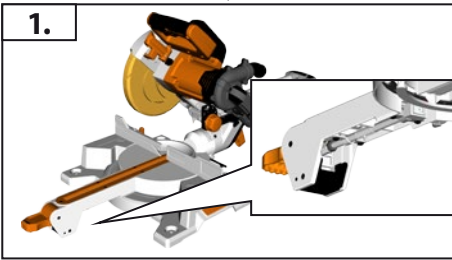
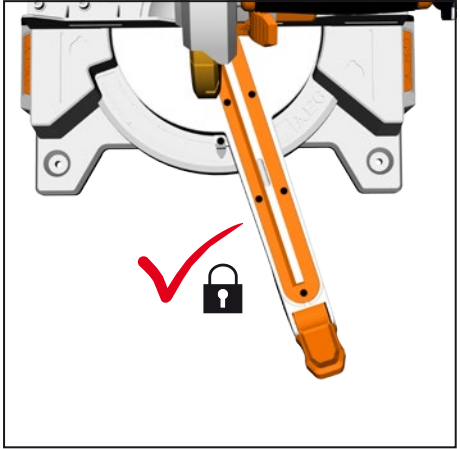
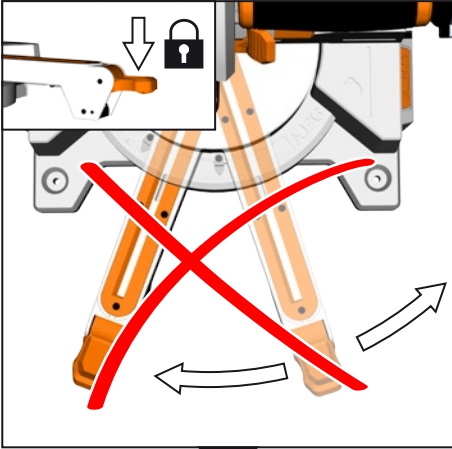


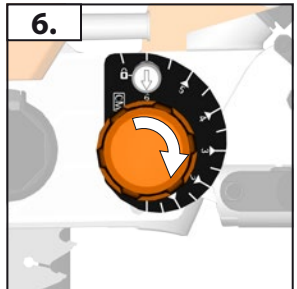
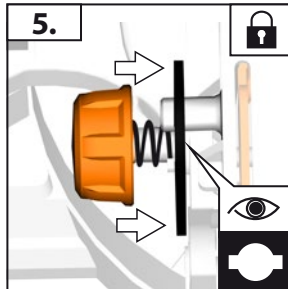
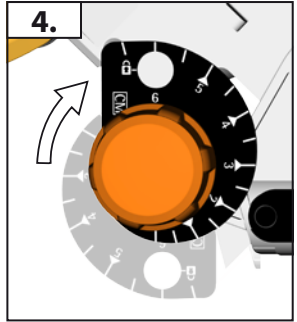
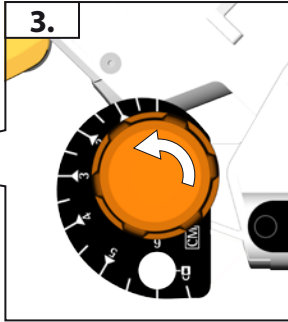
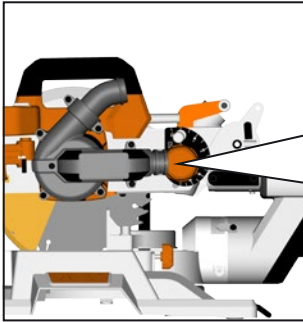
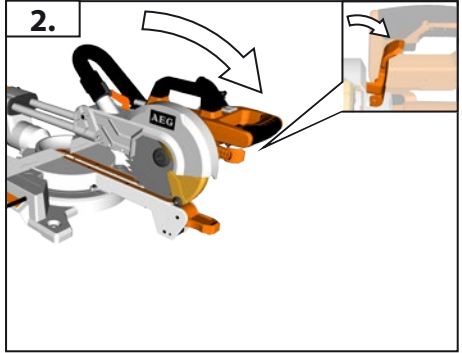
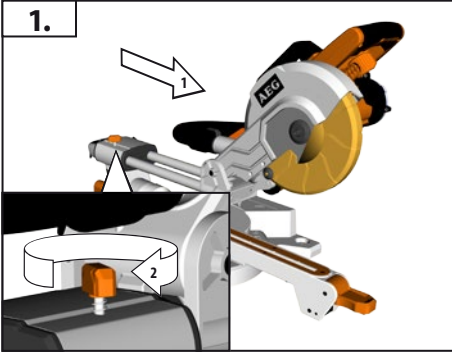












TECHNICAL DATA Mitsubaw *	PS 216 L	PS 254 L
Production code	4522 03 02... 4522 06 02... ... 000001-999999	4522 09 02... 4522 12 02... ... 000001-999999
Rated input	220-240 V, 50 Hz, S6(40%), 1500 W, 6,5 A	220-240 V, 50 Hz, S6(40%), 2000 W, 8,3 A
No-load speed	5000 min ⁻¹	4500 min ⁻¹
Saw blade dia. x hole dia	216 x 30 mm	254 x 30 mm
Saw blade thickness	1,6 mm	1,8 mm
Max. cutting capacity		
Mitre 0°/ Inclination 0°	65 x 305 mm	90 x 305 mm
Mitre 45°/ Inclination 0°	65 x 215 mm	90 x 215 mm
Mitre 0°/ Inclination 45°	36 x 305 mm	50 x 305 mm
Mitre 45°/ Inclination 45°	36 x 215 mm	50 x 215 mm
Min. workpiece dimensions	130 x 35 x 2,5 mm	130 x 35 x 2,5 mm
Weight according EPTA-Procedure 01/2003	16,7 kg	19,6 kg
Noise information	Measured values determined according to EN 61029-2-9:2009. Typically, the A-weighted noise levels of the tool are:	
Sound pressure level (Uncertainty K=3dB(A))	99,2 dB (A)	96,7 dB (A)
Sound power level (Uncertainty K=3dB(A))	112,2 dB (A)	109,7 dB (A)
Wear ear protectors!		
Vibration information	Measured values determined according to EN 61029	
Sawing of wood: Vibration emission value a _h	3,5 m/s ²	2,133 m/s ²
Uncertainty K=	1,5 m/s ²	1,5 m/s ²



¹ PS ≙ Mitsubaw

² The S6-40% indicates a load profile of 4 min load and 6 min idle time

WARNING!

The vibration emission level given in this information sheet has been measured in accordance with a standardised test given in EN 61029 and may be used to compare one tool with another. It may be used for a preliminary assessment of exposure.

The declared vibration emission level represents the main applications of the tool. However if the tool is used for different applications, with different accessories or poorly maintained, the vibration emission may differ. This may significantly increase the exposure level over the total working period.

An estimation of the level of exposure to vibration should also take into account the times when the tool is switched off or when it is running but not actually doing the job. This may significantly reduce the exposure level over the total working period.

Identify additional safety measures to protect the operator from the effects of vibration such as: maintain the tool and the accessories, keep the hands warm, organisation of work patterns.

⚠ WARNING!

Read all safety warnings and all instructions. Failure to follow the warnings and instructions may result in electric shock, fire and/or serious injury.

Save all warnings and instructions for future reference.

⚠ MITRESAW SAFETY WARNINGS

Wear ear protectors. Exposure to noise can cause hearing loss.

Always wear goggles when using the machine. It is recommended to wear gloves, sturdy non slipping shoes and apron.

The dust produced when using this tool may be harmful to health. Do not inhale the dust. Use a dust absorption system and wear a suitable dust protection mask. Remove deposited dust thoroughly, e.g. with a vacuum cleaner.

Wear gloves!

Before using the tool please read the instructions. If possible have the tool demonstrated.

Ensure that the machine is always stable and secure (e.g. fixed to a bench)

Keep the floor area free of loose material e.g. chips and cut-offs.

Do not use saw blades which are damaged or deformed

Do not use saw blades not corresponding to the key data given in these instructions for use.

Only use tools that meet standard EN 847-1.

Do not use saw blades made of high-speed steel.

Only use saw blades which have been properly sharpened.

It is necessary to select a saw blade which is suitable for the material being cut.

It is essential to adhere to the maximum speed specified on the saw blade.

Transport and store the tools in a suitable receptacle;

Do not use any flanges other than those supplied or indicated in the instruction manual to secure the saw blade.

Never use the mitre saw to cut materials other than those specified in the instruction manual.

English

Only use the saw with guards in good working order and properly maintained, and in position.

When performing mitre, bevel or compound mitre cuts, adjust the sliding fence to ensure the correct clearance from the blade.

Refrain from removing any cut-offs or other parts of the workpiece from the cutting area whilst the machine is running and the saw head is not in the rest position.

Never reach into the danger area of the machine when it is running. Always use the protective shields on the machine.

Any faults with the machine, including any related to the safeguard or the saw blades, must be reported to the persons in charge of safety as soon as the faults are discovered.

Do not clamp the protective swing guard.

Long workpieces must be adequately supported.

Do not replace the LED with a different type.

The handle lock must always be engaged when transporting the mitre saw.

Connect the saw to a dust-collecting device when sawing wood.

Do not use this tool's dust extraction as a vacuum cleaner to pick up anything, such as hardness work pieces or nails etc. it will cause the fan damage.

LASER

Do not stare into beam. Do not point laser light at other persons.

Do not view directly into beam with optical instruments (binocular, telescope).

Do not point laser at reflective surfaces,

Avoid exposure to laser radiation. Laser may emit hazardous radiation.

Do not replace the installed laser with a different type.

Any repairs must only be carried out by the authorized service agent.

SPECIFIED CONDITIONS OF USE

The mitre saw can be used for sawing solid wood, bonded wood, glued veneer, materials similar to wood, aluminium profiles, Non-ferrous metals and plastics.

Stock having a round or irregular cross section (such as firewood) must not be cut, as it can not be securely held during cutting. When sawing thin stock layed on edge, a suitable auxiliary fence must be used for firm support.

RESIDUAL RISK

Even when the product is used as prescribed, it is still impossible to completely eliminate certain residual risk factors. The following hazards may arise in use and the operator should pay special attention to avoid the following:

- Impairment of hearing, restrict exposure and wear appropriate hearing protection.
- Measures that can be taken by operator to possibly reduce the effects of vibration and limit the amount of exposure.
- Health hazards caused by breathing dust developed when sawing wood, wear a mask if necessary.

MAINS CONNECTION

Connect only to single-phase AC system voltage as indicated on the rating plate. It is also possible to connect to sockets without an earthing contact as the design conforms to safety class II.

Appliances used at many different locations including wet room and open air must be connected via a residual current device (FI, RCD, PRCD) of 30mA or less.

Only plug-in when machine is switched off.

Keep mains lead clear from working range of the machine. Always lead the cable away behind you.

Before use check machine, cable, and plug for any damages or material fatigue. Repairs should only be carried out by authorised Service Agents.

A power spike causes voltage fluctuations and may affect other electrical products in the same power line. Connect the product to a power supply with an impedance equal to 0.3 Ω to minimize voltage fluctuations.

Contact your electric power supplier for further clarification.

MAINTENANCE

Always disconnect the plug from the socket before carrying out any work on the machine.

If the supply cord of this power tool is damaged, it must be replaced by a specially prepared cord available through the service organization.

Be sure to disconnect the tool from the power supply before attaching or removing the saw blade.

Replace the table insert when worn

Clean tool and guarding system with dry cloth.

The ventilation slots of the machine must be kept clear at all times.

Use only AEG accessories and spare parts. Should components need to be replaced which have not been described, please contact one of our AEG service agents (see our list of guarantee/service addresses).

If needed, an exploded view of the tool can be ordered. Please state the Article No. as well as the machine type printed on the label and order the drawing at your local service agents or directly at: Techtronic Industries GmbH, Max-Eyth-Straße 10, 71364 Winnenden, Germany.

EC-DECLARATION OF CONFORMITY

We declare under our sole responsibility that the product described under "Technical Data" fulfills all the relevant provisions of the directives

2011/65/EU (RoHS)

2006/42/EC

2014/30/EU

and the following harmonized standards have been used.

EN 61029-1:2009 + A11:2010

EN 61029-2-9:2012 + A11:2013

EN 55014-1:2006+A1:2009+A2:2011

EN 55014-2:1997 + A1:2001 + A2:2008

EN 61000-3-2:2014

EN 61000-3-11:2000

EN 50581:2012



Winnenden, 2016-03-25

Alexander Krug / Managing Director
Authorized to compile the technical file
Techtronic Industries GmbH
Max-Eyth-Straße 10, 71364 Winnenden, Germany



SYMBOLS



CAUTION! WARNING! DANGER!



Always disconnect the plug from the socket before carrying out any work on the machine.



Please read the instructions carefully before starting the machine.



Always wear goggles when using the machine.



Wear ear protectors!



Wear gloves!



Always keep hands away from the path of the saw blade.



This tool is only suitable for indoor use. Never expose tool to rain.



Do not stare into beam.



LASER RADIATION
DO NOT STARE INTO BEAM
CLASS 2 LASER PRODUCT
CLASS 2 LASER PRODUCT
CLASS 2 LASER PRODUCT

This product corresponds to the laser class 2 in accordance with EN 60825-1:2007.



Do not dispose of electric tools together with household waste material. Electric tools and electronic equipment that have reached the end of their life must be collected separately and returned to an environmentally compatible recycling facility. Check with your local authority or retailer for recycling advice and collection point.



Class II tool. Tool in which protection against electric shock does not rely on basic insulation only, but in which additional safety precautions, such as double insulation or reinforced insulation, are provided.

There being no provision for protective earthing or reliance upon installation conditions.



European Conformity Mark



UkrSEPRO Conformity Mark

TR 066



EurAsian Conformity Mark



TECHNISCHE DATEN Kapp- und Gehrungssäge *	PS 216 L	PS 254 L
Produktionsnummer	4522 03 02... 4522 06 02... ... 000001-999999	4522 09 02... 4522 12 02... ... 000001-999999
Nennaufnahmeleistung	220-240 V, 50 Hz, S6(40%), 1500 W, 6,5 A	220-240 V, 50 Hz, S6(40%), 2000 W, 8,3 A
Leerlaufdrehzahl	5000 min ⁻¹	4500 min ⁻¹
Sägeblatt-ø x Bohrungs-ø	216 x 30 mm	254 x 30 mm
Sägeblattstärke	1,6 mm	1,8 mm
Schnittleistung max. Gehrung 0° / Neigung 0° Gehrung 45° / Neigung 0° Gehrung 0° / Neigung 45° Gehrung 45° / Neigung 45°	65 x 305 mm 65 x 215 mm 36 x 305 mm 36 x 215 mm	90 x 305 mm 90 x 215 mm 50 x 305 mm 50 x 215 mm
Min. Werkstückabmessungen	130 x 35 x 2,5 mm	130 x 35 x 2,5 mm
Gewicht nach EPTA-Prozedur 01/2003	16,7 kg	19,6 kg
Geräuschinformation Messwerte ermittelt entsprechend EN 61029-2-9:2009. Der A-bewertete Geräuschpegel des Gerätes beträgt typischerweise: Schalldruckpegel (Unsicherheit K=3dB(A)) Schalleistungspegel (Unsicherheit K=3dB(A)) Gehörschutz tragen!	99,2 dB (A) 112,2 dB (A)	96,7 dB (A) 109,7 dB (A)
Vibrationsinformationen Schwingungsgesamtwerte (Vektorsumme dreier Richtungen) ermittelt entsprechend EN 61029-2-9:2009. Sägen von Holz: Schwingungsemissionswert a _n Unsicherheit K=	3,5 m/s ² 1,5 m/s ²	2,133 m/s ² 1,5 m/s ²



¹ PS \triangleq Kapp- und Gehrungssäge

² S6-40% bedeutet ein Lastprofil von 4 Minuten Last und eine Ruhezeit von 6 Minuten

WARNUNG!

Der in diesen Anweisungen angegebene Schwingungspegel ist entsprechend einem in EN 61029 genormten Messverfahren gemessen worden und kann für den Vergleich von Elektrowerkzeugen miteinander verwendet werden. Er eignet sich auch für eine vorläufige Einschätzung der Schwingungsbelastung.

Der angegebene Schwingungspegel repräsentiert die hauptsächlichen Anwendungen des Elektrowerkzeugs. Wenn allerdings das Elektrowerkzeug für andere Anwendungen, mit abweichenden Einsatzwerkzeugen oder ungenügender Wartung eingesetzt wird, kann der Schwingungspegel abweichen. Dies kann die Schwingungsbelastung über den gesamten Arbeitszeitraum deutlich erhöhen.

Für eine genaue Abschätzung der Schwingungsbelastung sollten auch die Zeiten berücksichtigt werden, in denen das Gerät abgeschaltet ist oder zwar läuft, aber nicht tatsächlich im Einsatz ist. Dies kann die Schwingungsbelastung über den gesamten Arbeitszeitraum deutlich reduzieren.

Legen Sie zusätzliche Sicherheitsmaßnahmen zum Schutz des Bedieners vor der Wirkung von Schwingungen fest wie zum Beispiel: Wartung von Elektrowerkzeug und Einsatzwerkzeugen, Warmhalten der Hände, Organisation der Arbeitsabläufe.

WARNUNG!

Lesen Sie alle Sicherheitshinweise und Anweisungen.

Versäumnisse bei der Einhaltung der Sicherheitshinweise und Anweisungen können elektrischen Schlag, Brand und/oder schwere Verletzungen verursachen.

Bewahren Sie alle Sicherheitshinweise und Anweisungen für die Zukunft auf.

SICHERHEITSHINWEISE FÜR KAPP- UND GEHRUNGSSÄGEN

Tragen Sie Gehörschutz. Die Einwirkung von Lärm kann Gehörverlust bewirken.

Beim Arbeiten mit der Maschine stets Schutzbrille tragen. Schutzhandschuhe, festes und rutschsicheres Schuhwerk und Schürze werden empfohlen.

Beim Arbeiten entstehender Staub ist oft gesundheitsschädlich und sollte nicht in den Körper gelangen. Staubabsaugung verwenden

und zusätzlich geeignete Staubschutzmaske tragen. Abgelagerten Staub gründlich entfernen, z.B. Aufsaugen.

Schutzhandschuhe tragen!

Es wird empfohlen, vor dem erstmaligen Gebrauch des Gerätes die Betriebsanleitung sorgfältig zu lesen und sich in die praktische Handhabung einweisen zu lassen.

Sicherstellen, dass die Maschine stets einen sicheren Stand hat (z.B. befestigen an der Werbank).

Den Boden von Materialresten z.B. Späne und Sägereste freihalten.

Keine Sägeblätter benutzen die beschädigt oder verformt sind.

Sägeblätter, die nicht den Kenndaten in dieser Gebrauchsanweisung entsprechen, dürfen nicht verwendet werden.

Es dürfen nur Werkzeuge verwendet werden, die EN 847-1 entsprechen.

Keine aus Schnellarbeitsstahl gefertigten Sägeblätter verwenden.

Nur ordnungsgemäß geschärfte Sägeblätter verwenden.

Ein für den zu schneidenden Werkstoff geeignetes Sägeblatt auswählen.

Die auf dem Sägeblatt angegebene Höchstdrehzahl ist einzuhalten.

Die Werkzeuge müssen in einem geeigneten Behältnis transportiert und aufbewahrt werden.

Nur die beigelegten und in der Bedienungsanleitung abgebildeten Flansche zum Befestigen des Sägeblattes verwenden.

Die Kappsäge niemals zum Schneiden anderer als in der Bedienungsanleitung angegebenen Werkstoffe verwenden.

Die Kappsäge nur mit sicher funktionierender und gut gewarteten Schutzhaube benutzen. Die Schutzhaube muss selbsttätig zurückschwenken.

Stellen Sie bei der Ausführung von Gehrungs-, Neigungs- oder Doppelgehrungsschnitten den Gleitanschlag so ein, daß das richtige Spiel für die Aufgabe sichergestellt wird.

Keine Sägereste oder andere Teile von Werkstücken aus dem Sägebereich entfernen wenn die Maschine läuft und der Sägekopf nicht in der Ruhestellung ist.

Nicht in den Gefahrenbereich der laufenden Maschine greifen.

Schutzeinrichtung der Maschine unbedingt verwenden.

Fehler in der Maschine, einschließlich der Schutzeinrichtung oder der Sägeblätter, sind, so bald sie entdeckt werden, der für die Sicherheit verantwortlichen Person zu melden.

Die Pendelschutzhaube darf im geöffneten Zustand nicht festgeklemmt werden.

Lange Werkstücke sind geeignet abzustützen.

Tauschen Sie die LED nicht gegen eine andere aus.

Die Kappsäge nur mit eingerasteter Transportsicherung am Handgriff transportieren.

Schließen Sie die Säge an einen Staubabsauger an, beim Sägen von Holz.

Verwenden Sie die Staubabsaugung dieses Geräts nicht als Staubsauger, um Gegenstände, wie z.B. harte Werkstückeile oder Nägel, aufzusaugen. Die Absaugvorrichtung wird dadurch beschädigt.

LASER

Nicht in den Laserstrahl blicken und nicht auf andere Personen richten.

Nicht mit optischen Hilfsmitteln (Fernglas, Fernrohr) in den Laser blicken.

Den Laser nicht auf reflektierende Flächen richten.

Setzen Sie keine Personen der Laserstrahlung aus. Der Laser kann gefährliche Strahlung aussenden.

Tauschen Sie den eingebauten Laser nicht gegen einen anderen aus.

Reparaturen dürfen nur von autorisierten Service-Technikern durchgeführt werden.

BESTIMMUNGSGEMÄSSE VERWENDUNG

Die Kappsäge ist einsetzbar zum Sägen von Massivhölzern, verleimten Hölzern, holzähnlichen Werkstoffen, Aluminiumprofile, Nichteisenmetalle und Kunststoffen.

Werkstücke mit rundem oder unregelmäßigem Querschnitt (z.B. Brennholz) dürfen nicht gesägt werden, da diese beim Sägen nicht sicher gehalten werden. Beim Hochkantsägen von flachen Werkstücken muss ein geeigneter Hilfsanschlag zur sicheren Führung verwendet werden.

RESTGEFAHREN

Selbst bei ordnungsgemäßigem Gebrauch des Produkts lassen sich Restgefahren nicht vollständig ausschließen. Bei der Verwendung können folgende Risiken auftreten, weshalb der Bediener Folgendes beachten sollte:

- Um Gehörschäden zu vermeiden, ist die Expositionszeit zu beschränken und geeigneter Gehörschutz zu tragen.
- Der Bediener sollte Maßnahmen ergreifen, um die Auswirkungen der Vibrationen zu reduzieren und die Expositionszeit zu begrenzen.
- Es ist eine Atemschutzmaske zu tragen, um Gesundheitsrisiken zu vermeiden, die durch das Einatmen von Sägestaub entstehen können.

NETZANSCHLUSS

Nur an Einphasen-Wechselstrom und nur an die auf dem Leistungsschild angegebene Netzspannung anschließen. Anschluss ist auch an Steckdosen ohne Schutzkontakt möglich, da ein Aufbau der Schutzklasse II vorliegt.

Steckdosen in Feuchträumen und Außenbereichen müssen mit Fehlerstrom-Schutzschaltern (FI, RCD, PRCD) ausgerüstet sein. Das verlangt die Installationsvorschrift für Ihre Elektroanlage. Bitte beachten Sie das bei der Verwendung unseres Gerätes.

Maschine nur ausgeschaltet an die Steckdose anschließen.

Anschlusskabel stets vom Wirkungsbereich der Maschine fernhalten. Kabel immer nach hinten von der Maschine wegführen.

Vor jedem Gebrauch Gerät, Anschlusskabel, Akkupack Verlängerungskabel und Stecker auf Beschädigung und Alterung kontrollieren. Beschädigte Teile nur von einem Fachmann reparieren lassen.

Kurzzeitige Spannungsspitzen verursachen Spannungsschwankungen und können andere elektrische Produkte in der gleichen Stromleitung beeinflussen. Schließen Sie das Gerät an eine Stromversorgung mit einer Impedanz von 0,3 Ω um Spannungsschwankungen zu minimieren.

Kontaktieren Sie Ihren Energieversorger für weitere Informationen.

WARTUNG

Vor allen Arbeiten an der Maschine den Stecker aus der Steckdose ziehen.

Ist die Anschlussleitung des Elektrowerkzeugs beschädigt, muss sie durch eine speziell vorgeschaltete Anschlussleitung ersetzt werden, die über die Kundendienstorganisation erhältlich ist.

Stellen Sie sicher, dass das Werkzeug von der Stromversorgung getrennt ist, bevor Sie das Sägeblatt anbringen oder abnehmen.

Abgenutzte Tischeinlage ersetzen.

Reinigen Sie Gerät und Schutzeinrichtung mit einem trockenen Tuch.

Stets die Lüftungsschlitze der Maschine sauber halten.

Nur AEG Zubehör und Ersatzteile verwenden. Bauteile, deren Austausch nicht beschrieben wurde, bei einer AEG Kundendienststelle auswechseln lassen (Broschüre Garantie/Kundendienstadressen beachten).

Bei Bedarf kann eine Explosionszeichnung des Gerätes unter Angabe der Maschinen Typ und der sechsstelligen Nummer auf dem Leistungsschild bei Ihrer Kundendienststelle oder direkt bei Techtronic Industries GmbH, Max-Eyth-Straße 10, 71364 Winnenden, Germany angefordert werden.

CE-KONFORMITÄTSERKLÄRUNG

Wir erklären in alleiniger Verantwortung, dass das unter „Technische Daten“ beschriebene Produkt mit allen relevanten Vorschriften der Richtlinien 2011/65/EU (RoHS) 2006/42/EG 2014/30/EU und den folgenden harmonisierten normativen Dokumenten übereinstimmt

EN 61029-1:2009 + A11:2010
EN 61029-2-9:2012 + A11:2013
EN 55014-1:2006+A1:2009+A2:2011
EN 55014-2:1997 + A1:2001 + A2:2008
EN 61000-3-2:2014
EN 61000-3-11:2000
EN 50581:2012



Winnenden, 2016-03-25

Alexander Krug / Managing Director
Bevollmächtigt die technischen Unterlagen zusammenzustellen.

Techtronic Industries GmbH
Max-Eyth-Straße 10, 71364 Winnenden, Germany

SYMBOLE



ACHTUNG! WARNUNG! GEFAHR!



Vor allen Arbeiten an der Maschine den Stecker aus der Steckdose ziehen.



Bitte lesen Sie die Gebrauchsanweisung vor Inbetriebnahme sorgfältig durch.



Beim Arbeiten mit der Maschine stets Schutzbrille tragen.



Gehörschutz tragen!



Schutzhandschuhe tragen!



Niemals die Hände in den Bereich des Sägeblattes bringen.



Gerät ist nur zur Verwendung in Räumen geeignet, Gerät nicht dem Regen aussetzen.



Nicht in den Laserstrahl sehen



LAZERWARNTAFEL
DO NOT STARE INTO BEAM
DO NOT VIEW DIRECTLY
OR REFLECTED SURFACES
CLASS 2 LASER PRODUCT

Das Produkt entspricht der Laserklasse 2 gemäß EN 60825-1:2007.



Elektrogeräte dürfen nicht zusammen mit dem Hausmüll entsorgt werden. Elektrische und elektronische Geräte sind getrennt zu sammeln und zur umweltgerechten Entsorgung bei einem Verwertungsbetrieb abzugeben. Erkundigen Sie sich bei den örtlichen Behörden oder bei Ihrem Fachhändler nach Recyclinghöfen und Sammelstellen.



Elektrowerkzeug der Schutzklasse II. Elektrowerkzeug, bei dem der Schutz vor einem elektrischen Schlag nicht nur von der Basisisolierung abhängt, sondern auch davon, dass zusätzliche Schutzmaßnahmen, wie doppelte Isolierung oder verstärkte Isolierung, angewendet werden.

Es gibt keine Vorrichtung zum Anschluss eines Schutzleiters.



CE-Konformitätszeichen



UkrSEPRO Konformitätszeichen



EurAsian Konformitätszeichen



CARACTÉRISTIQUES TECHNIQUES	PS 216 L	PS 254 L
Scie Radiale *		
Numéro de série	4522 03 02... 4522 06 02... ... 000001-999999	4522 09 02... 4522 12 02... ... 000001-999999
Puissance nominale de réception	220-240 V, 50 Hz, S6(40%), 1500 W, 6,5 A	220-240 V, 50 Hz, S6(40%), 2000 W, 8,3 A
Vitesse de rotation à vide	5000 min ⁻¹	4500 min ⁻¹
∅ de la lame de scie et de son alésage	216 x 30 mm	254 x 30 mm
Épaisseur de la lame de scie	1,6 mm	1,8 mm
Capacité de coupe max. Onglet 0°/ Inclinasion 0° Onglet 45°/ Inclinasion 0° Onglet 0°/ Inclinasion 45° Onglet 45°/ Inclinasion 45°	65 x 305 mm 65 x 215 mm 36 x 305 mm 36 x 215 mm	90 x 305 mm 90 x 215 mm 50 x 305 mm 50x 215 mm
Les dimensions min. de la pièce dépendent	130 x 35 x 2,5 mm	130 x 35 x 2,5 mm
Poids suivant EPTA-Procédure 01/2003	16,7 kg	19,6 kg
Informations sur le bruit Valeurs de mesure obtenues conformément à la EN 61029-2-9:2009. Les mesures réelles (des niveaux acoustiques de l'appareil sont : Niveau de pression acoustique (Incertitude K=3dB(A)) Niveau d'intensité acoustique (Incertitude K=3dB(A))	99,2 dB (A) 112,2 dB (A)	96,7 dB (A) 109,7 dB (A)
Toujours porter une protection acoustique! Informations sur les vibrations Valeurs totales des vibrations (somme vectorielle de trois sens) établies conformément à EN 61029-2-9:2009. Sciage du bois: Valeur d'émission vibratoire a _n Incertitude K=	3,5 m/s ² 1,5 m/s ²	2,133 m/s ² 1,5 m/s ²



¹ PS ∆ Scie Radiale

² Le S6-40% indique un profil de charge de 4 minutes de charge et 6 minutes de temps morts

AVERTISSEMENT!

Le niveau vibratoire indiqué dans ces instructions a été mesuré selon un procédé de mesure normalisé dans la norme EN 61029 et peut être utilisé pour comparer des outils électriques entre eux. Il convient aussi à une estimation provisoire de la sollicitation par les vibrations.

Le niveau vibratoire indiqué représente les applications principales de l'outil électrique. Toutefois, si l'outil électrique est utilisé pour d'autres applications, avec des outils rapportés qui diffèrent ou une maintenance insuffisante, il se peut que le niveau vibratoire diverge. Cela peut augmenter nettement la sollicitation par les vibrations sur tout l'intervalle de temps du travail.

Pour une estimation précise de la sollicitation par les vibrations, on devrait également tenir compte des temps pendant lesquels l'appareil n'est pas en marche ou tourne sans être réellement en service. Cela peut réduire nettement la sollicitation par les vibrations sur tout l'intervalle de temps du travail.

Définissez des mesures de sécurité supplémentaires pour protéger l'utilisateur contre l'influence des vibrations, comme par exemple : la maintenance de l'outil électrique et des outils rapportés, le maintien au chaud des mains, l'organisation des déroulements de travail.

⚠ AVERTISSEMENT!

Lisez toutes les consignes de sécurité et les instructions. Le non-respect des avertissements et instructions indiqués ci après peut entraîner un choc électrique, un incendie et/ou de graves blessures sur les personnes.

Bien garder tous les avertissements et instructions.

⚠ CONSIGNES DE SÉCURITÉ CONCERNANT LES SCIE RADIALE

Portez une protection acoustique. L'exposition au bruit pourrait provoquer une diminution de l'ouïe.

Toujours porter des lunettes protectrices en travaillant avec la machine. Des gants de sécurité, des chaussures solides et à semelles antidérapantes et un tablier sont recommandés.

Les poussières dégagées lors du travail sont souvent nocives et ne devraient pas pénétrer dans le corps. Utiliser un dispositif d'aspiration de poussières et porter en plus un masque de

protection approprié. Éliminer soigneusement les dépôts de poussières, p. ex. en les aspirant au moyen d'un système d'aspiration de copeaux.

Porter des gants de protection!

Avant la première mise en marche de la machine, il est conseillé de lire avec soin les instructions d'utilisation et de se familiariser avec le maniement de la machine.

S'assurer que la machine présente toujours une bonne stabilité (par ex. par une fixation sur l'établi).

Veiller à ce que le fond reste exempt des restes de matériaux, par ex. des copeaux et des débris de sciage.

Ne pas utiliser de lames de scie qui sont endommagées ou déformées.

Ne pas utiliser de lames de scie qui ne correspondent pas aux caractéristiques indiquées dans ces instructions d'utilisation.

Employez exclusivement des outils conformes à NE 847-1.

Ne pas utiliser de lame de scie fabriquées en acier à coupe rapide. Utiliser uniquement des lames de scie affûtées en bonne et due forme.

Choisir une lame de scie qui convient au matériau à couper.

La vitesse de rotation maximale indiquée sur la lame de scie doit être respectée.

Les outils doivent être transportés et conservés dans un récipient approprié.

Utiliser uniquement les brides ci-jointes et représentées dans le mode d'emploi pour fixer la lame de scie.

Ne jamais utiliser la scie d'éboutage pour sectionner des matériaux autres que ceux qui sont indiqués dans le mode d'emploi.

Utiliser la scie à onglet seulement si le capot de protection présente un fonctionnement sûr et s'il est bien entretenu. Le capot de protection doit pivoter en retour automatiquement.

Lors de la réalisation des coupes d'onglet, des coupes en biais et des coupes d'onglet composé, réglez le guide coulissant pour assurer le jeu correct de la lame.

Ne pas enlever des restes de sciage ou d'autres parties de pièces à œuvrer de la zone de sciage lorsque la machine tourne et que la tête de sciage n'est pas dans la position de repos.

Ne jamais intervenir dans la zone dangereuse lorsque la machine est en marche.

Il est absolument impératif d'utiliser le dispositif protecteur de la machine.

Les défauts dans la machine, y compris le dispositif de protection ou les lames de scie, doivent être signalés à la personne responsable de la sécurité dès qu'ils sont constatés.

Ne pas bloquer le carter de protection.

Les longues pièces à œuvrer doivent être soutenues de manière appropriée.

Ne pas remplacer le DEL avec un autre type.

Transporter la scie d'éboutage uniquement si le dispositif de sécurité pour le transport est enclenché sur la poignée.

Connecter la scie avec un dispositif d'aspiration poussières si l'on scie du bois.

Ne pas employer le système d'aspiration des poudres de cet appareil comme un aspirateur pour aspirer des objets, par ex. de petites portions dures de la pièce en exécution ou des clous. On pourrait endommager le dispositif d'aspiration.

LASER

Ne pas regarder dans le rayon laser et ne pas le diriger sur d'autres personnes.

Ne pas regarder dans le rayon laser avec des appareils optiques (jumelles, télescope).

Ne pas diriger le rayon laser sur des surfaces réfléchissantes.

Éviter toute exposition à la radiation laser. Le laser peut émettre une radiation intense et dangereuse.

Ne pas remplacer le laser incorporé contre un laser d'un autre type.

Les réparations ne devront être effectuées que par des techniciens d'assistance autorisés.

UTILISATION CONFORME AUX PRESCRIPTIONS

La scie à onglet peut être utilisée pour scier les bois massifs, les bois collés, les matériaux similaires au bois, profilés en aluminium et les matières plastiques.

Il est interdit de scier des pièces à œuvrer dont la section transversale est ronde ou irrégulière (par ex. le bois de chauffe) car elles ne sont pas maintenues sûrement pendant le sciage. Il convient d'utiliser une butée auxiliaire appropriée pour assurer le guidage lors du sciage sur chant des pièces à œuvrer plates.

RISQUES RÉSIDUELS

Même en cas d'utilisation correcte du produit il n'est pas possible d'exclure complètement des risques résiduels. Pendant l'utilisation les risques décrits ci-dessous pourront se présenter et par conséquent l'opérateur devra respecter les normes suivantes:

- Pour éviter des dangers à l'ouïe, limiter le temps d'exposition et utiliser une protection contre le bruit appropriée.
- L'utilisateur devra prendre des mesures appropriées en vue de limiter les effets des vibrations et limiter le temps d'exposition.
- Il faut utiliser une masque respiratoire pour éviter des dangers à la santé causés par l'inhalation des poussières de sciure.

BRANCHEMENT SECTEUR

Raccorder uniquement à un courant électrique monophasé et uniquement à la tension secteur indiquée sur la plaque signalétique. Le raccordement à des prises de courant sans contact de protection est également possible car la classe de protection II est donnée.

Les prises de courant se trouvant à l'extérieur doivent être équipées de disjoncteurs différentiel (FI, RCD, PRCD) conformément aux prescriptions de mise en place de votre installation électrique. Veuillez en tenir compte lors de l'utilisation de notre appareil.

Ne raccorder la machine au réseau que si l'interrupteur est en position arrêté.

Le câble d'alimentation doit toujours se trouver en dehors du champ d'action de la machine. Toujours maintenir le câble d'alimentation à l'arrière de la machine.

Avant toute utilisation, vérifier que la machine, le câble d'alimentation, la batterie d'accumulateurs, le câble de rallonge et la fiche ne sont pas endommagés ni usés. Ne faire réparer les éléments endommagés que par un spécialiste..

Une surconsommation temporaire provoque des variations de tension susceptibles d'affecter les autres appareils électriques branchés sur la même ligne d'alimentation. Branchez le produit sur une source d'alimentation électrique dont l'impédance est égale à 0,3 Ω afin de minimiser les variations de tension.

Contactez votre compagnie de distribution d'électricité pour de plus amples informations.

ENTRETIEN

Avant tous travaux sur la machine extraire la fiche de la prise de courant.

En cas d'endommagement du câble d'alimentation de l'outil électrique, le câble devra être remplacé par un câble d'alimentation approprié disponible chez l'organisation d'assistance technique. Assurez-vous de débrancher l'outil du secteur avant de monter ou de démonter la lame de scie.

Remplacer la garniture de table si elle est usée.

Nettoyer l'appareil et le dispositif de protection avec un chiffon sec. Tenir toujours propres les orifices de ventilation de la machine.



N'utiliser que des pièces et accessoires AEG. Pour des pièces dont l'échange n'est pas décrit, s'adresser de préférence aux stations de service après-vente AEG (voir brochure Garantie/Adresses des stations de service après-vente).

Si besoin est, une vue éclatée de l'appareil peut être fournie. S'adresser, en indiquant bien le numéro porté sur la plaque signalétique, à votre station de service après-vente (voir liste jointe) ou directement à Techtronic Industries GmbH, Max-Eyth-Straße 10, 71364 Winnenden, Germany.

DÉCLARATION CE DE CONFORMITÉ

Nous déclarons, sous notre responsabilité exclusive, que le produit décrit ici dans les « Caractéristiques techniques » satisfait à toutes les dispositions pertinentes des directives

2011/65/EU (RoHS)

2006/42/CE

2014/30/EU

et que les normes harmonisées suivantes ont été appliquées.

EN 61029-1:2009 + A11:2010

EN 61029-2-9:2012 + A11:2013

EN 55014-1:2006+A1:2009+A2:2011

EN 55014-2:1997 + A1:2001 + A2:2008

EN 61000-3-2:2014

EN 61000-3-11:2000

EN 50581:2012



Winnenden, 2016-03-25

Alexander Krug / Managing Director
Autorisé à compiler la documentation technique.

Techtronic Industries GmbH
Max-Eyth-Straße 10, 71364 Winnenden, Germany

SYMBÔLES



ATTENTION! AVERTISSEMENT! DANGER!



Avant tous travaux sur la machine extraire la fiche de la prise de courant.



Veuillez lire avec soin le mode d'emploi avant la mise en service



Toujours porter des lunettes protectrices en travaillant avec la machine.



Toujours porter une protection acoustique!



Porter des gants de protection!



Ne jamais mettre les mains dans la zone de la lame de scie.



Appareil à utiliser uniquement dans un local, à ne jamais l'exposer à la pluie.



Ne pas regarder dans le rayon laser.



LASER RADIATION
DO NOT STARE INTO BEAM
CLASS II LASER PRODUCT
IE EXEMPT FROM
EN 60825-1:2007

Le produit répond à la classe de laser 2, conformément à la norme EN 60825-1:2007.



Les dispositifs électriques ne sont pas à éliminer dans les déchets ménagers. Les dispositifs électriques et électroniques sont à collecter séparément et à remettre à un centre de recyclage en vue de leur élimination dans le respect de l'environnement. S'adresser aux autorités locales ou au détaillant spécialisé en vue de connaître l'emplacement des centres de recyclage et des points de collecte.



Outil électrique en classe de protection II. Outil électrique équipé d'une protection contre la fulguration électrique qui ne dépend seulement de l'isolation de base mais aussi de l'application d'autres mesures de protection telles qu'une double isolation ou une isolation augmentée.

La connexion d'un conducteur de protection n'est pas prédisposée.



Marque CE



Marque de qualité UkrSEPRO



Marque de qualité EurAsian

DATI TECNICI Troncatrice *	PS 216 L	PS 254 L
Numero di serie	4522 03 02... 4522 06 02... ... 000001-999999	4522 09 02... 4522 12 02... ... 000001-999999
Potenza assorbita nominale	220-240 V, 50 Hz, S6(40%), 1500 W, 6,5 A	220-240 V, 50 Hz, S6(40%), 2000 W, 8,3 A
Numero di giri a vuoto	5000 min ⁻¹	4500 min ⁻¹
Diametro lama x foro lama	216 x 30 mm	254 x 30 mm
spessore lama sega	1,6 mm	1,8 mm
Potenza di taglio max. Ugnatura a 0°/ Inclinazione 0° Ugnatura a 45°/ Inclinazione 0° Ugnatura a 0°/ Inclinazione 45° Ugnatura a 45°/ Inclinazione 45°	65 x 305 mm 65 x 215 mm 36 x 305 mm 36 x 215 mm	90 x 305 mm 90 x 215 mm 50 x 305 mm 50x 215 mm
Min. misurazione massima dei pezzi	130 x 35 x 2,5 mm	130 x 35 x 2,5 mm
Peso secondo la procedura EPTA 01/2003	16,7 kg	19,6 kg
Informazioni sulla rumorosità Valori misurati conformemente alla norma EN 61029-2-9:2009. La misurazione A del livello di pressione acustica dell'utensile è di solito di: Livello di rumorosità (Incertezza della misura K=3dB(A)) Potenza della rumorosità (Incertezza della misura K=3dB(A))	99,2 dB (A) 112,2 dB (A)	96,7 dB (A) 109,7 dB (A)
Utilizzare le protezioni per l'udito! Informazioni sulle vibrazioni Valori totali delle oscillazioni (somma di vettori in tre direzionmisurati conformemente alla norma EN 61029 Segatura di legno: Valore di emissione dell'oscillazione a _h Incertezza della misura K=	3,5 m/s ² 1,5 m/s ²	2,133 m/s ² 1,5 m/s ²

* PS \triangleq Troncatrice

² L'S6-40% indica un profilo di carica di 4 min e un tempo di inattività di 6 min

AVVERTENZA!

Il livello di vibrazioni indicato nelle presenti istruzioni è stato misurato in conformità con un procedimento di misurazione codificato nella EN 61029 e può essere utilizzato per un confronto tra attrezzi elettrici. Inoltre si può anche utilizzare per una valutazione preliminare della sollecitazione da vibrazioni.

Il livello di vibrazioni indicato rappresenta le applicazioni principali dell'attrezzo elettrico. Se viceversa si utilizza l'attrezzo elettrico per altri scopi, con accessori differenti o con una manutenzione insufficiente, il livello di vibrazioni può risultare diverso. E questo può aumentare decisamente la sollecitazione da vibrazioni lungo l'intero periodo di lavorazione.

Ai fini di una valutazione precisa della sollecitazione da vibrazioni si dovrebbero tenere presente anche i periodi in cui l'apparecchio rimane spento oppure, anche se acceso, non viene effettivamente utilizzato. Ciò può ridurre notevolmente la sollecitazione da vibrazioni lungo l'intero periodo di lavorazione.

Stabilite misure di sicurezza supplementari per la tutela dell'operatore dall'effetto delle vibrazioni, come ad esempio: manutenzione dell'attrezzo elettrico e degli accessori, riscaldamento delle mani, organizzazione dei processi di lavoro.

AVVERTENZA!

È necessario leggere tutte le indicazioni di sicurezza e le istruzioni. In caso di mancato rispetto delle avvertenze di pericolo e delle istruzioni operative si potrà creare il pericolo di scosse elettriche, incendi e/o incidenti gravi.

Conservare tutte le avvertenze di pericolo e le istruzioni operative per ogni esigenza futura.

INDICAZIONI DI SICUREZZA PER TRONCATRICE

Indossare protezioni acustiche adeguate. L'esposizione al rumore potrebbe comportare una riduzione dell'udito.

Durante l'uso dell'apparecchio utilizzare sempre gli occhiali di protezione. Inoltre si consiglia di usare sistemi di protezione per la respirazione e per l'udito, oltre ai guanti di protezione.

La polvere provocata durante la lavorazione con questo utensile può essere dannosa alla salute e per questo motivo non devono entrare in contatto con il corpo. Usare un sistema d'aspirazione

polvere e indossare una maschera di protezione dalla polvere. Rimuovere i depositi di polvere, per esempio con un aspiratore.

Indossare guanti protettivi!

Vi consigliamo caldamente di leggere attentamente le istruzioni per l'uso prima di utilizzare l'apparecchio, solo in questo modo potrete infatti servircene al meglio.

Accertarsi che la macchina sia sempre stabile (ad esempio fissandola sul banco di lavoro).

Tenere il pavimento libero da residui di materiali, ad es. trucioli e residui di taglio.

Non usare lame danneggiate o deformate.

Non utilizzare lame non corrispondenti alle specifiche riportate in queste istruzioni d'uso.

È consentito esclusivamente l'uso di utensili che corrispondono ai requisiti della norma EN 847-1.

Non utilizzare lame di sega fatte in acciaio rapido.



Usare solo lame di sega debitamente affilate.

Scegliere una lama di sega adatta al materiale da tagliare.

Il numero massimo di giri indicato sulla lama della sega deve essere rispettato.

Gli utensili devono essere trasportati e conservati in un contenitore adatto;

Per fissare la lama della sega usare solo le flange illustrate nelle istruzioni per l'uso e quelle allegate.

Non utilizzare mai la sega troncatrice per tagliare materiali diversi da quelli indicati nelle istruzioni per l'uso.

Usare la troncatrice soltanto con coperchio di protezione ben funzionante e correttamente mantenuto. Il coperchio di protezione deve tornare indietro automaticamente.

Nell'eseguire tagli piramidali, tagli a squadra o tagli piramidali multipli, regolare lo schermo scorrevole per garantire la corretta distanza dalla lama.

Non rimuovere dalla zona di lavorazione i residui di taglio o altre porzioni dei pezzi in lavorazione se la macchina è in funzione e la testa segatrice non si trova in posizione di riposo.

Non entrare nel raggio d'azione dell'utensile mentre è in funzione.

Usare sempre il dispositivo di protezione dell'apparecchio.

Guasti della macchina, inclusi quelli del dispositivo di protezione o delle lame della sega, devono essere segnalati alla persona responsabile della sicurezza, non appena vengono individuati.

Non bloccare la calotta di protezione.

Pezzi lunghi devono essere supportati adeguatamente+D6.

Non sostituire il LED con un altro tipo.

Trasportare la sega troncatrice solo con sicura di trasporto chiusa sul manico.

Collegare la sega con un dispositivo di aspirazione polveri se si sega del legno.

Non utilizzare il sistema di aspirazione polveri di questo apparecchio come aspiratore per aspirare oggetti ad es. parti dure del pezzo in lavorazione o chiodi. Il dispositivo di aspirazione verrebbe danneggiato.

LASER

Non guardare nel raggio laser e non puntarlo su altre persone.

Non osservare il raggio laser con strumenti ottici di aiuto (binocolo, cannocchiale).

Non rivolgere il laser su superfici riflettenti.

Non esporre alla radiazione laser. Il laser può emettere una forte radiazione.

Non sostituire il laser integrato applicandovi un laser di un altro tipo.

Le riparazioni devono essere eseguite esclusivamente da tecnici di assistenza autorizzati.

UTILIZZO CONFORME

La troncatrice può essere utilizzata per il taglio di legno massiccio, legno incollato, materiali simili al legno, profili in alluminio, metallo non ferroso e plastica.

Non è ammessa segare pezzi a sezione rotonda o irregolare (ad es. legno da ardere) visto che non possono essere serrati in sicurezza durante la fase di segatura. Se si desiderano segare pezzi piani appoggiati sul loro lato stretto occorre utilizzare un'ideale battuta ausiliaria per una guida sicura.

RISCHI RESIDUI

Anche in caso di uso corretto del prodotto non è possibile escludere del tutto i rischi residui. Durante l'uso possono presentarsi i seguenti rischi, per cui l'operatore dovrà rispettare quanto segue:

- Per evitare danni all'udito, limitare i tempi di esposizione e indossare idonea protezione dell'udito.
- L'utente deve prendere opportune misure per limitare gli effetti delle vibrazioni e limitare il tempo di esposizione.
- Occorre indossare una maschera respiratoria per evitare danni alla salute dovuti all'inhalazione di polvere di segatura.

COLLEGAMENTO ALLA RETE

Connettere solo corrente alternata mono fase e solo al sistema di voltaggio indicato sulla piastra. E' possibile anche connettere la presa senza un contatto di messa a terra così come prevede lo schema conforme alle norme di sicurezza di classe II.

Gli apparecchi mobili usati all'aperto devono essere collegati interponendo un interruttore di sicurezza (FI, RCD, PRCD) per guasti di corrente.

Inserire la spina solo con interruttore su posizione „OFF“.

Tenere sempre lontano il cavo di collegamento dall'area di lavoro dell'attrezzo.

Prima di ogni utilizzo controllare che il cavo di alimentazione, eventuali prolunghe e la spina siano integre e senza danni. Eventualmente parti danneggiate devono essere controllate e riparate da un tecnico.

Sovratensioni potrebbero influenzare altri prodotti elettrici collegati alla stessa presa. Collegare il prodotto a una presa dell'alimentazione con una impedenza pari a 0,3 Ω per minimizzare le fluttuazioni di voltaggio.

Contattare il proprio fornitore elettrico per avere maggiori chiarificazioni.

MANUTENZIONE

Prima di effettuare qualsiasi lavoro sulla macchina togliere la spina dalla presa di corrente.

In caso di danneggiamento del cavo di alimentazione dell'utensile elettrico, il cavo dovrà essere sostituito con apposito cavo di alimentazione con cavo disponibile presso l'organizzazione di assistenza tecnica.

Assicurarsi di aver scollegato l'utensile dall'alimentazione prima di collegarlo o prima di rimuovere la lama.

Sostituire inserti da banco consumati.

Pulire l'apparecchio ed il dispositivo di protezione con un panno asciutto.

Tener sempre ben pulite le fessure di ventilazione dell'apparecchio.

Utilizzare esclusivamente accessori e pezzi di ricambio AEG. L'installazione di pezzi di ricambio non specificamente prescritti dall'AEG va preferibilmente effettuata dal servizio di assistenza clienti AEG (ved. opuscolo Garanzia/Indirizzi Assistenza tecnica).

In caso di mancanza del disegno esploso, può essere richiesto al seguente indirizzo: Techtronic Industries GmbH, Max-Eyth-Straße 10, 71364 Winnenden, Germany.

DICHIARAZIONE DI CONFORMITÀ CE

Assumendone la piena responsabilità, dichiariamo che il prodotto descritto nei "Dati tecnici" è conforme alle pertinenti disposizioni delle direttive

2011/65/EU (RoHS)

2006/42/CE

2014/30/EU

e che sono state applicate le seguenti norme armonizzate O

EN 61029-1:2009 + A11:2010

EN 61029-2-9:2012 + A11:2013

EN 55014-1:2006+A1:2009+A2:2011

EN 55014-2:1997 + A1:2001 + A2:2008

EN 61000-3-2:2014

EN 61000-3-11:2000

EN 50581:2012



Winnenden, 2016-03-25

Alexander Krug / Managing Director

Autorizzato alla preparazione della documentazione tecnica

Techtronic Industries GmbH

Max-Eyth-Straße 10, 71364 Winnenden, Germany

SIMBOLI



ATTENZIONE! AVVERTENZA! PERICOLO!



Prima di effettuare qualsiasi lavoro sulla macchina togliere la spina dalla presa di corrente.



Leggere attentamente le istruzioni per l'uso prima di mettere in funzione l'elettrodomestico.



Durante l'uso dell'apparecchio utilizzare sempre gli occhiali di protezione.



Utilizzare le protezioni per l'udito!



Indossare guanti protettivi!



Tenere le mani sempre lontane dalla zona di lavoro della lama.



Apparecchio da utilizzare esclusivamente in luogo chiuso, e comunque non esposto a pioggia.



Non guardare nel raggio laser



Il prodotto corrisponde alla classe laser 2 ai sensi della EN 60825-1:2007.



I dispositivi elettrici non devono essere smaltiti con i rifiuti domestici. I dispositivi elettrici ed elettronici devono essere raccolti separatamente e devono essere conferiti ad un centro di riciclaggio per lo smaltimento rispettoso dell'ambiente. Chiedere alle autorità locali o al rivenditore specializzato dove si trovano i centri di riciclaggio e i punti di raccolta.



Utensile elettrico di classe di protezione II. Utensile elettrico sul quale la protezione contro la folgorazione elettrica non dipende soltanto dall'isolamento di base, ma anche dall'applicazione di ulteriori misure di protezione, come il doppio isolamento o l'isolamento maggiorato.

Non è permesso il collegamento di un conduttore di protezione.



Marchio CE



Marchio di conformità UkrSEPRO



Marchio di conformità EurAsian



DATOS TÉCNICOS	PS 216 L	PS 254 L
Inglletadora *		
Número de producción	4522 03 02... 4522 06 02... ... 000001-999999	4522 09 02... 4522 12 02... ... 000001-999999
Potencia de salida nominal	220-240 V, 50 Hz, S6(40%), 1500 W, 6,5 A	220-240 V, 50 Hz, S6(40%), 2000 W, 8,3 A
Velocidad en vacío	5000 min ⁻¹	4500 min ⁻¹
Disco de sierra - ø x orificio ø	216 x 30 mm	254 x 30 mm
grueso de las hojas de la sierra	1,6 mm	1,8 mm
Potencia máxima de corte		
Inglete 0°/ Inclinación 0°	65 x 305 mm	90 x 305 mm
Inglete 45°/ Inclinación 0°	65 x 215 mm	90 x 215 mm
Inglete 0°/ Inclinación 45°	36 x 305 mm	50 x 305 mm
Inglete 45°/ Inclinación 45°	36 x 215 mm	50 x 215 mm
Dimensiones mín. de la pieza de trabajo	130 x 35 x 2,5 mm	130 x 35 x 2,5 mm
Peso de acuerdo con el procedimiento EPTA 01/2003	16,7 kg	19,6 kg
Información sobre ruidos		
Determinación de los valores de medición según norma EN 61029-2-9:2009. El nivel de ruido típico del aparato determinado con un filtro A corresponde a:		
Presión acústica (Tolerancia K=3dB(A))	99,2 dB (A)	96,7 dB (A)
Resonancia acústica (Tolerancia K=3dB(A))	112,2 dB (A)	109,7 dB (A)
Usar protectores auditivos!		
Informaciones sobre vibraciones		
Nivel total de vibraciones (suma vectorial de tres direcciones) determinado según EN 61029-2-9:2009.		
Aserrado de madera: Valor de vibraciones generadas a _h	3,5 m/s ²	2,133 m/s ²
Tolerancia K=	1,5 m/s ²	1,5 m/s ²

¹ PS ≙ Inglletadora

² El S6-40 % indica un perfil de carga de 4 minutos de carga y 6 minutos de tiempo de inactividad

ADVERTENCIA!

El nivel vibratorio indicado en estas instrucciones ha sido medido conforme a un método de medición estandarizado en la norma EN 61029, y puede utilizarse para la comparación entre herramientas eléctricas. También es apropiado para una estimación provisional de la carga de vibración.

El nivel vibratorio indicado representa las aplicaciones principales de la herramienta eléctrica. Si, pese a ello, se utiliza la herramienta eléctrica para otras aplicaciones, con útiles adaptables diferentes o con un mantenimiento insuficiente, el nivel vibratorio puede diferir. Esto puede incrementar sensiblemente la carga de vibración durante todo el periodo de trabajo.

Para una estimación exacta de la carga de vibración deberían tenerse en cuenta también los tiempos durante los que el aparato está apagado o, pese a estar en funcionamiento, no está siendo realmente utilizado. Esto puede reducir sustancialmente la carga de vibración durante todo el periodo de trabajo.

Adopte medidas de seguridad adicionales para la protección del operador frente al efecto de las vibraciones, como por ejemplo: mantenimiento de la herramienta eléctrica y de los útiles adaptables, mantener las manos calientes, organización de los procesos de trabajo.

⚠ ADVERTENCIA!

Rogamos leer las indicaciones de seguridad y las

instrucciones. En caso de no atenderse a las advertencias de peligro e instrucciones siguientes, ello puede ocasionar una descarga eléctrica, un incendio y/o lesión grave.

Guardar todas las advertencias de peligro e instrucciones para futuras consultas.

⚠ INDICACIONES DE SEGURIDAD INGLETADORA

¡Utilice protección auditiva! La exposición a niveles de ruido excesivos puede causar la pérdida de audición.

Para trabajar con la máquina, utilizar siempre gafas de protección, guantes, calzado de seguridad antideslizante, así como es recomendable usar protectores auditivos.

El polvo que se produce cuando se usa esta herramienta puede ser perjudicial para la salud. Use un sistema de absorción de polvo y

utilice una máscara adecuada de protección contra el polvo. Limpie el polvo depositado, por ejemplo con un aspirador.

Usar guantes protectores

Antes de usar la herramienta, por favor lea las instrucciones. Si es posible, pida que le hagan una demostración de la máquina.

Asegúrese de que la máquina se encuentre siempre en una posición segura (p. ej. sujetarla en el banco de trabajo)

Mantenga la superficie libre de restos de material como p. ej. virutas y restos de aserrado

No use hojas de sierra dañadas o deformadas.

No se pueden emplear hojas de sierra cuyos datos codificados no corresponden a estas instrucciones de manejo.

Deben utilizarse únicamente herramientas conformes con la norma EN 847-1.

No emplear hojas de sierra elaboradas de acero de corte rápido.

Emplear únicamente hojas de sierra correctamente afiladas.

Elegir la hoja de sierra adecuada para el material a cortar.

Deberá observarse siempre el número de revoluciones máximo indicado en la hoja de la sierra.

Las herramientas deben transportarse y almacenarse en un embalaje adecuado;

Utilizar solamente las bridas adjuntas y representadas en las instrucciones de empleo para la fijación de la hoja de sierra.

No emplear jamás la sierra retestadora para cortar materiales que no estén indicados en las instrucciones de empleo.

Utilice la sierra tronzoadora únicamente con cubierta protectora que funcione de forma segura y se encuentre en buen estado de entretenimiento.

Al realizar cortes en inglete, en bisel o en inglete compuesto, ajuste la guía deslizante para garantizar la holgura correcta de la hoja.

No quitar restos de aserrado u otras partes de piezas de trabajo del área de aserrado al estar la máquina en funcionamiento y si la cabeza de la sierra no se encuentra en posición inactiva.

No manipular en el rodillo ni en las cuchillas con la máquina conectada.

Usar siempre las piezas de protección de la máquina.

En el momento de detectar fallas en la máquina, incl. en el dispositivo de seguridad o en las hojas de la sierra, deberán comunicarse las mismas inmediatamente a la persona responsable de la seguridad.

No bloquear la protección automática del disco.

Apoyar de forma adecuada la pieza a trabajar.

No sustituya el diodo luminoso por otro.

Transportar la sierra retestadora únicamente con el protector de transporte en el tomadero engatillado.

En caso de que utilice la sierra para cortar madera, conecte la sierra a una aspiradora de polvo.

No utilice la aspiración de polvo de este aparato como aspiradora para aspirar objetos como, por ejemplo, piezas de trabajo duras o clavos, ya que, de lo contrario, el dispositivo de aspiración resultará dañado

LÁSER

No mire hacia la luz láser, ni la dirija hacia otras personas.

No mire con aparatos ópticos (binoculares, telescopio,) hacia el láser.

No dirija el láser hacia superficies reflectantes.

No se exponga a la radiación láser. El láser puede emitir una radiación intensa.

No sustituya el láser original por uno de otro tipo.

Las reparaciones deben ser realizadas únicamente por personal autorizado del servicio técnico.

APLICACIÓN DE ACUERDO A LA FINALIDAD

La sierra tronzoadora sirve para cortar madera maciza, maderas encoladas, materias similares a la madera, perfiles de aluminio, metal no férreo y materias plásticas.

No deberán cortarse con la sierra piezas de trabajo con perfil redondo o irregular (p. ej. leña), dado que no se pueden sujetar de manera segura. Al cortar de canto con la sierra piezas planas, deberá utilizarse un tope auxiliar adecuado para una guía segura.

PELIGROS RESIDUALES

Incluso en caso de la utilización correcta del producto no se pueden excluir totalmente los peligros residuales. Durante la utilización del producto se pueden producir los siguientes riesgos, por lo que el usuario debería tener en cuenta lo siguiente:

- Para evitar lesiones auditivas se debe limitar el tiempo de exposición y utilizar una protección para los oídos adecuada.
- El usuario debería adoptar medidas para reducir los efectos de las vibraciones y para limitar el tiempo de exposición.
- Se debe utilizar una protección respiratoria con el fin de evitar riesgos para la salud que pueden surgir por la respiración del polvo producido en las operaciones de corte.

CONEXIÓN ELÉCTRICA

Conectar solamente a corriente AC monofásica y sólo al voltaje indicado en la placa de características. También es posible la conexión a enchufes sin toma a tierra, dado que es conforme a la Clase de Seguridad II.

Conecte siempre la máquina a una red protegida por interruptor diferencial y magnetotérmico (FI, RCD, PRCD), para su seguridad personal, según normas establecidas para instalaciones eléctricas de baja tensión.

Enchufar la máquina a la red solamente en posición desconectada.

Mantener siempre el cable separado del radio de acción de la máquina.

Antes de empezar a trabajar compruebe si está dañada la máquina, el cable o el enchufe. Las reparaciones sólo se llevarán a cabo por Agentes de Servicio autorizados.

Un pico de tensión causa variaciones de voltaje y puede afectar a otros aparatos eléctricos de la misma línea eléctrica. Enchufe el dispositivo a la toma de electricidad con una impedancia de 0,3 Ω para minimizar las fluctuaciones de voltaje.

Contacte con su proveedor de energía eléctrica para obtener más aclaraciones

MANTENIMIENTO

Desconecte siempre el enchufe antes de llevar a cabo cualquier trabajo en la máquina.

Si la línea de conexión de la herramienta eléctrica estuviera dañada, deberá reemplazarse la misma por una línea de alimentación preparada especialmente, la cual puede adquirirse a través de la organización de servicio al cliente.

Asegúrese de desconectar la herramienta de la fuente de alimentación antes de ajustar o retirar la hoja de sierra.

Sustituya la pieza de refuerzo de mesa desgastada.

Limpie la herramienta y el dispositivo protector con un paño seco.

Las ranuras de ventilación de la máquina deben estar despejadas en todo momento.

Solo se deben utilizar accesorios y piezas de repuestos AEG. Piezas cuyo recambio no está descrito en las instrucciones de uso, deben sustituirse en un centro de asistencia técnica AEG (Consulte el folleto Garantía/Direcciones de Centros de Asistencia Técnica).

En caso necesario, puede solicitar un despiece de la herramienta. Por favor indique el número de impreso que hay en la etiqueta y pida el despiece a la siguiente dirección: Techtronic Industries GmbH, Max-Eyth-Str. 10, 71364 Winnenden, Germany.



DECLARACION DE CONFORMIDAD CE

Declaramos bajo nuestra única responsabilidad que el producto descrito bajo „Datos técnicos“ cumple todas las disposiciones pertinentes de las directivas 2011/65/EU (RoHS) 2006/42/CE 2014/30/EU y que se han implementado y estándares EN 61029-1:2009 + A11:2010 EN 61029-2-9:2012 + A11:2013 EN 55014-1:2006+A1:2009+A2:2011 EN 55014-2:1997 + A1:2001 + A2:2008 EN 61000-3-2:2014 EN 61000-3-11:2000 EN 50581:2012



Winnenden, 2016-03-25

Alexander Krug / Managing Director
Autorizado para la redacción de los documentos técnicos.

Techtronic Industries GmbH
Max-Eyth-Straße 10, 71364 Winnenden, Germany

SÍMBOLOS



¡ATENCIÓN! ¡ADVERTENCIA! ¡PELIGRO!



Desconecte siempre el enchufe antes de llevar a cabo cualquier trabajo en la máquina.



Lea las instrucciones detenidamente antes de conectar la herramienta.



Para trabajar con la máquina, utilizar siempre gafas de protección.



Usar protectores auditivos!



Usar guantes protectores



No introduzca jamás las manos en el área de la hoja de la sierra.



Sólo para uso en interiores



No mire hacia la luz láser



El producto corresponde a la clase láser 2 según EN 60825-1:2007.



Los aparatos eléctricos no se deben eliminar junto con la basura doméstica. Los aparatos eléctricos y electrónicos se deben recoger por separado y se deben entregar a una empresa de reciclaje para una eliminación respetuosa con el medio ambiente. Infórmese en las autoridades locales o en su tienda especializada sobre los centros de reciclaje y puntos de recogida.



Herramienta eléctrica de la clase de protección II. Herramientas eléctricas, en las que la protección contra un choque eléctrico no depende solamente del aislamiento básico sino también de la aplicación de medidas adicionales de protección, como doble aislamiento o aislamiento reforzado.

No existe dispositivo para la conexión de un conductor protector.



Marca CE



Certificado UkrSEPRO de conformidad



Certificado EAC de conformidad



CARACTERÍSTICAS TÉCNICAS Serra de Esquadrilhas *	PS 216 L	PS 254 L
Número de produção	4522 03 02... 4522 06 02... ... 000001-999999	4522 09 02... 4522 12 02... ... 000001-999999
Potência absorvida nominal	220-240 V, 50 Hz, S6(40%), 1500 W, 6,5 A	220-240 V, 50 Hz, S6(40%), 2000 W, 8,3 A
Velocidade em vazio	5000 min ⁻¹	4500 min ⁻¹
Ø de disco x Ø da furação	216 x 30 mm	254 x 30 mm
espessura da folha de serra	1,6 mm	1,8 mm
Potência de corte máx. Esquadria 0°/ Inclinação 0° Esquadria 45°/ Inclinação 0° Esquadria 0°/ Inclinação 45° Esquadria 45°/ Inclinação 45°	65 x 305 mm 65 x 215 mm 36 x 305 mm 36 x 215 mm	90 x 305 mm 90 x 215 mm 50 x 305 mm 50 x 215 mm
Dimensões mín. da peça de trabalho	130 x 35 x 2,5 mm	130 x 35 x 2,5 mm
Peso nos termos do procedimento-EPTA 01/2003	16,7 kg	19,6 kg
Informações sobre ruído Valores de medida de acordo com EN 61029-2-9:2009. O nível de ruído avaliado A do aparelho é tipicamente:		
Nível da pressão de ruído (Incertez K=3dB(A))	99,2 dB (A)	96,7 dB (A)
Nível da potência de ruído (Incertez K=3dB(A))	112,2 dB (A)	109,7 dB (A)
Use protectores auriculares!		
Informações sobre vibração Valores totais de vibração (soma dos vectores das três direcções) determinadas conforme EN 61029-2-9:2009.		
Serrar madeira: Valor de emissão de vibração a _n	3,5 m/s ²	2,133 m/s ²
Incerteza K=	1,5 m/s ²	1,5 m/s ²



¹ PS ≙ Serra de Esquadrilhas

² 56-40% indica um perfil de carga de 4 minutos de carga e 6 minutos de tempo de inatividade

ATENÇÃO!

O nível vibratório indicado nestas instruções foi medido em conformidade com um procedimento de medição normalizado na EN 61029 e pode ser utilizado para comparar entre si ferramentas eléctricas. O mesmo é também adequado para avaliar provisoriamente o esforço vibratório.

O nível vibratório indicado representa as principais aplicações da ferramenta eléctrica. Se, no entanto, a ferramenta eléctrica for utilizada para outras aplicações, com outras ferramentas adaptadas ou uma manutenção insuficiente, o nível vibratório poderá divergir. Isto pode aumentar consideravelmente o esforço vibratório ao longo de todo o período do trabalho.

Para uma avaliação exacta do esforço vibratório devem também ser considerados os tempos durante os quais o aparelho está desligado ou está a funcionar, mas não está efectivamente a ser utilizado. Isto pode reduzir consideravelmente o esforço vibratório ao longo de todo o período do trabalho.

Defina medidas de segurança suplementares para proteger o operador do efeito das vibrações, como por exemplo: manutenção da ferramenta eléctrica e das ferramentas adaptadas, manter as mãos quentes, organização das sequências de trabalho.

ATENÇÃO!

Leia todas as instruções de segurança e todas as instruções. O desrespeito das advertências e instruções apresentadas abaixo pode causar choque eléctrico, incêndio e/ou graves lesões.

Guarde bem todas as advertências e instruções para futura referência.

INSTRUÇÕES DE SEGURANÇA PARA O SERRA DE ESQUADRILHAS

Sempre use a protecção dos ouvidos. Os ruídos podem causar surdez.

Usar sempre óculos de protecção ao trabalhar com a máquina. Recomenda-se a utilização de luvas de protecção, protectores para os ouvidos e máscara anti-poeiras.

A poeira gerada ao trabalhar com esta ferramenta pode ser perigosa para a saúde e por isso não deve atingir o corpo. Utilize um sistema de absorção de poeiras e use uma máscara de protecção.

Retire completamente a poeira depositada, por exemplo com um aspirador.

Use luvas de protecção!

Recomenda-se a leitura atenta das instruções de serviço da máquina antes da primeira utilização. Paça para ser adestrado no uso prático da gadanhaira.

Assegure-se que a máquina sempre esteja numa posição segura (por exemplo fixação na bancada de trabalho).

Mantenha o piso livre de resíduos de material, por exemplo aparas ou resíduos de serração.

Não use folhas de serra danificadas ou deformadas.

É inadmissível a utilização de discos de serra que não correspondam às características especificadas nestas instruções de serviço.

Devem apenas utilizar-se ferramentas que correspondem à norma EN 847-1.

Não utilize folhas de serra fabricadas de aço rápido.

Só utilize folhas de serra correctamente afiadas.

Selecione uma folha de serra apropriada para o material a cortar. Observe o número de rotações máximo, indicado na folha de serra. As ferramentas devem ser transportadas e guardadas num receptáculo adequado;

Só utilize os flanges juntados e representados no manual de instruções para fixar a folha de serra.

Nunca utilize a serra de corte para cortar materiais não indicados no manual de instruções.

Só use a serra de aparar com uma tampa de protecção de funcionamento seguro, bem mantida. A tampa de protecção deve girar para trás automaticamente.

Ao efetuar cortes em ângulo, em bisel ou em ângulo compostos, ajustar a barreira deslizante para assegurar a distância correta da lâmina.

Não remova os resíduos de serração e outras partes de materiais da área de serração quando a máquina estiver a operar e a cabeça de serra não estiver na posição de repouso.

Não introduza as mãos na área perigosa, estando a máquina em funcionamento.

Nunca utilizar a máquina sem dispositivo de protecção.

Erros na máquina, inclusive do dispositivo de protecção ou das folhas de serra deverão ser comunicadas à pessoa responsável pela segurança, logo que forem detectados.

Não bloquear a cobertura de protecção giratória.

Materiais compridos deverão ser suportados apropriadamente.

Não substitua o LED por outro.

Só transporte a serra de corte com dispositivo de transporte engatado no punho.

Ao serrar madeira, conecte a serra a um aspirador de pó.

Não use a aspiração de pó deste aparelho como aspirador de pó para aspirar objectos, como p. ex. peças duras ou pregos. Isto pode danificar o dispositivo de aspiração.

LASER

Não olhar para o raio laser e não o apontar para outras pessoas.

Não olhar para o laser com instrumentos ópticos (binóculos, telescópio).

Não apontar o laser para superfícies reflectoras.

Não se expor ao raio laser. O laser pode emitir forte radiação.

Não substituir o laser montado por um laser de outro tipo.

Reparações só devem ser efectuadas por técnicos de assistência autorizados.

UTILIZAÇÃO AUTORIZADA

A serra de aparar pode ser utilizada para serrar madeira maciça, madeira colada, materiais similares com madeira, perfis de alumínio, material não ferroso e materiais plásticos.

Materiais com secção transversal redonda ou irregular (por exemplo lenha) não devem ser serrados, pois não é possível segurá-los seguramente na serração. Na serração de canto de materiais planos, um encosto auxiliar apropriado deve ser usado para guiar o material seguramente.

RISCOS RESIDUAIS

Mesmo se este produto for usado de forma correcta, riscos residuais não podem ser inteiramente excluídos. Os seguintes riscos podem ocorrer na utilização. Por isso, o utilizador deve observar o seguinte:

- Para evitar danos de audição, o tempo de exposição deve ser limitado e uma protecção dos ouvidos adequada deve ser usada.
- O utilizador deve tomar as medidas necessárias para reduzir os efeitos das vibrações e limitar o tempo de exposição.
- Deverá ser usada uma máscara respiratória para evitar riscos de saúde, causados pela inalação de serradura.

LIGAÇÃO À REDE

Só conectar à corrente alternada monofásica e só à tensão de rede indicada na placa de potência. A conexão às tomadas de rede sem contacto de segurana também é possível, pois trata-se duma construção da classe de protecção II.

Aparelhos não estacionários, utilizados ao ar livre, devem ser protegidos por um disjuntor de corrente de defeito (FI, RCD, PRCD).

Ao ligar à rede, a máquina deve estar desligada.

Manter sempre o cabo de ligação fora da zona de acção da máquina.

Antes de cada utilização inspecionar a máquina, o cabo de ligação a extensão e quanto a danos e desgaste. A máquina só deve ser reparada por um técnico especializado.

Um pico de corrente causa variações de voltagem e pode afectar outros aparelhos eléctricos na mesma linha eléctrica. Ligue o dispositivo à tomada eléctrica com uma impedância de 0,3 Ω para minimizar as flutuações de voltagem.

Contacte o seu fornecedor de energia eléctrica para mais esclarecimentos.

MANUTENÇÃO

Antes de efectuar qualquer intervenção na máquina, tirar a ficha da tomada.

Se o condutor de alimentação da ferramenta eléctrica estiver danificado, ele deverá ser substituído por um condutor de alimentação especial que se vende na organização da assistência ao cliente.

Certifique-se que desliga a ferramenta da rede eléctrica antes de instalar ou remover a lâmina serra.

Substitua a inserção de mesa desgastada.

Limpe o aparelho e o dispositivo de protecção com um pano seco.

Manter desobstruídos os rasgos de ventilação na carcaça da máquina.

Utilizar unicamente acessórios e peças sobressalentes da AEG. Sempre que a substituição de um componente não tenha sido descrita nas instruções, será de toda a conveniência mandar executar esse trabalho a um Serviço de Assistência AEG (veja o folheto Garantia/Endereços de Serviços de Assistência).

A pedido e mediante indicação da referência que consta da chapa de características da máquina, pode requerer-se um desenho explosivo da ferramenta eléctrica a: Techronic Industries GmbH, Max-Eyth-Straße 10, 71364 Winnenden, Germany.

DECLARAÇÃO DE CONFORMIDADE CE

Declaramos, sob a nossa inteira responsabilidade, que o produto descrito em «Dados Técnicos» cumpre todas as disposições relevantes das diretivas

2011/65/EU (RoHS)

2006/42/CE

2014/30/EU

tendo sido seguidas as seguintes normas harmonizadas 0

EN 61029-1:2009 + A11:2010

EN 61029-2-9:2012 + A11:2013

EN 55014-1:2006+A1:2009+A2:2011

EN 55014-2:1997 + A1:2001 + A2:2008

EN 61000-3-2:2014

EN 61000-3-11:2000

EN 50581:2012



Winnenden, 2016-03-25

Alexander Krug / Managing Director

Autorizado a reunir a documentação técnica.

Techtronic Industries GmbH

Max-Eyth-Straße 10, 71364 Winnenden, Germany

SYMBOLE



ATENÇÃO! PERIGO!



Antes de efectuar qualquer intervenção na máquina, tirar a ficha da tomada.



Leia atentamente o manual de instruções antes de colocar a máquina em funcionamento.



Usar sempre óculos de protecção ao trabalhar com a máquina.



Use protectores auriculares!



Use luvas de protecção!



Nunca coloque as mãos na área da folha de serra.



O aparelho destina-se unicamente a ser utilizado em trabalhos interiores; não exponha o aparelho à chuva.



Não olhar para o raio laser



O produto corresponde à classe laser 2 segundo EN 60825-1:2007.



Aparelhos eléctricos não devem ser jogados no lixo doméstico. Aparelhos eléctricos e electrónicos devem ser colectados separadamente e entregues a uma empresa de reciclagem para a eliminação correcta. Solicite informações sobre empresas de reciclagem e postos de colecta de lixo das autoridades locais ou do seu vendedor autorizado.



Ferramenta eléctrica da classe de protecção II. Ferramenta eléctrica, na qual a protecção contra choque eléctrico não só depende do isolamento básico, mas também da aplicação de medidas de protecção suplementares, como isolamento duplo ou reforçado.

Não há um dispositivo para a conexão dum condutor de protecção.



Marca CE



Marca de conformidade UkrSEPRO .



Marca de conformidade EurAsian.



TECHNISCHE GEGEVENS	PS 216 L	PS 254 L
Afkortzaagmachine *		
Productienummer	4522 03 02... 4522 06 02... ... 000001-999999	4522 09 02... 4522 12 02... ... 000001-999999
Nominaal afgegeven vermogen	220-240 V, 50 Hz, S6(40%), 1500 W, 6,5 A	220-240 V, 50 Hz, S6(40%), 2000 W, 8,3 A
Onbelast toerental	5000 min ⁻¹	4500 min ⁻¹
Zaagblad ø x boring ø	216 x 30 mm	254 x 30 mm
zaagbladdikte	1,6 mm	1,8 mm
Knipvermogen max. Verstek 0°/ Neiging 0° Verstek 45°/ Neiging 0° Verstek 0°/ Neiging 45° Verstek 45°/ Neiging 45°	65 x 305 mm 65 x 215 mm 36 x 305 mm 36 x 215 mm	90 x 305 mm 90 x 215 mm 50 x 305 mm 50 x 215 mm
Min. werkstukafmeting	130 x 35 x 2,5 mm	130 x 35 x 2,5 mm
Gewicht volgens de EPTA-procedure 01/2003	16,7 kg	19,6 kg
Geluidsinformatie		
Meetwaarden vastgesteld volgens EN 61029-2-9:2009. Het kenmerkende A-gewogen geluidsniveau van de machine bedraagt:		
Geluidsdruk niveau (Onzekerheid K=3dB(A))	99,2 dB (A)	96,7 dB (A)
Geluidsvermogen niveau (Onzekerheid K=3dB(A))	112,2 dB (A)	109,7 dB (A)
Draag oorbeschermers!		
Trillingsinformatie		
Totale trillingswaarden (vectorsom van drie richtingebepaald volgens EN 61029-2-9:2009.		
Zagen van hout: Trillingsemisiewaarde a _h	3,5 m/s ²	2,133 m/s ²
Onzekerheid K=	1,5 m/s ²	1,5 m/s ²



¹ PS ≙ Afkortzaagmachine

² De aanduiding S6-40% betreft een belastingsprofiel dat bestaat uit 4 minuten belast en 6 minuten onbelast.

WAARSCHUWING!

De in deze aanwijzingen vermelde trillingsdruk is gemeten volgens een in EN 61029 genormeerde meetmethode en kan worden gebruikt voor de onderlinge vergelijking van apparaten. Hij is ook geschikt voor een voorlopige inschatting van de trillingsbelasting.

De aangegeven trillingsdruk geldt voor de meest gebruikelijke toepassingen van het elektrische apparaat. Wanneer het elektrische gereedschap echter voor andere doeleinden, met andere dan de voorgeschreven hulpstukken gebruikt of niet naar behoren onderhouden wordt, kan de trillingsdruk afwijken. Dit kan de waarde van de trillingsdruk over de hele werkperiode aanzienlijk verhogen.

Voor een nauwkeurige inschatting van de trillingsdruk moeten ook de tijden in aanmerking worden genomen dat het apparaat uitgeschakeld is of weliswaar loopt, maar niet werkelijk in gebruik is. Dit kan de waarde van de trillingsdruk over de hele werkperiode aanzienlijk verminderen.

Bepaal extra veiligheidsmaatregelen ter bescherming van de bediener tegen de inwerking van trillingen, bijvoorbeeld: onderhoud van elektrische gereedschappen en apparaten, warmhouden van de handen, organisatie van de werkprocessen.

WAARSCHUWING!

Lees alle veiligheidsinstructies en aanwijzingen door. Als de waarschuwingen en voorschriften niet worden opgevolgd, kan dit een elektrische schok, brand of ernstig letsel tot gevolg hebben.

Bewaar alle waarschuwingen en voorschriften voor toekomstig gebruik.

VEILIGHEIDSLINSTRUCTIES VOOR AFKORTZAAGMACHINE

Draag oorbeschermers. Lawaai kan gehoorverlies veroorzaken. Bij het werken met de machine altijd een veiligheidsbril dragen. Werkhandschoenen en stofkapje voor de mond worden aanbevolen.

Stof die vrijkomt tijdens het werken vormt vaak een gevaar voor de gezondheid en mag niet met het lichaam in aanraking komen. Machines met stofafzuiging gebruiken en tevens geschikte stofmaskers dragen. Vrijgekomen stof grondig verwijderen resp. opzuigen.

Draag veiligheidshandschoenen!

Voordat u de machine de eerste keer gaat gebruiken, is het raadzaam de gebruiksaanwijzing zorgvuldig te lezen en u zich te verdiepen in de toepassingsmogelijkheden van deze machine.

Waarborg dat de machine altijd veilig staat (bijv. op de werkbank bevestigen).

Houd de vloer vrij van materiaalresten bijv. spaanders en zaagresten.

Gebruik geen zaagbladen die beschadigd of vervormd zijn.

Zaagbladen, waarvan de gegevens niet overeenkomen welke in de gebruiksaanwijzing staan, mogen niet gebruikt worden.

Er mag alleen gereedschap worden gebruikt dat in overeenstemming is met de norm EN 847-1.

Gebruik geen zaagbladen van sneldraaistaal.

Gebruik alleen correct gescherpte zaagbladen.

Kies een geschikt zaagblad voor het te zagen materiaal.

Zorg dat het op het zaagblad aangegeven toerental niet wordt overschreden.

De gereedschappen moeten in een geschikte houder vervoerd en bewaard worden;

Gebruik alleen de bijgeleverde en in de gebruiksaanwijzing afgebeelde flens voor de bevestiging van het zaagblad.

Gebruik de kapzaag nooit voor het zagen van andere materialen dan in de gebruiksaanwijzing vermeld staan.

Gebruik de afkortszaagmachine alléén met een correct functionerende en goed onderhouden veiligheidskap. De veiligheidskap moet zelfstandig terugzwenken.

Stel de verschuifbare geleider af bij het maken van een verstek, afschuining of samengesteld verstek om de juiste vrije spleet voor het zaagblad te garanderen.

Verwijder geen zaagresten of andere delen van werkstukken uit het zaagberek bij de machine in bedrijf is en de zaagkop niet in de ruststand staat.

Niet aan de draaiende delen komen.

Bescherminrichting van de machine beslist gebruiken.

Defecten aan/storingen van de machine, de veiligheidsinrichting of de zaagbladen dienen – zodra zij geconstateerd worden – bij de voor de veiligheid verantwoordelijke persoon gemeld te worden.

Pendelbeschermer niet vastklemmen.

Lange werkstukken moeten goed gesteund worden.

Vervang de led niet door een andere.

Transporteer de kapzaag alleen met geactiveerde transportbeveiliging aan de handgreep.

Sluit de zaag aan op een stofzuiger als u hout zaagt.

Gebruik de stofafzuiging van dit apparaat niet als stofzuiger om voorwerpen zoals harde werkstukresten of spijkers op te zuigen. Hierdoor wordt de afzuiginrichting beschadigd.

LASER

Niet in de laserstraal kijken en deze ook niet op andere personen richten.

Niet met optische hulpmiddelen (verrekijker, telescoop) in de laser kijken.

De laser niet op reflecterende vlakken richten.

Niet aan de laserstraal blootstellen. De laser kan sterke straling uitzenden.

Vervang de ingebouwde laser niet door een laser van een ander type.

Reparaties mogen alléén worden uitgevoerd door geautoriseerde servicemonteurs.

VOORGESCHREVEN GEBRUIK VAN HET SYSTEEM

De afkortszaagmachine is geschikt voor het zagen van massief hout, gelijmd hout, met hout vergelijkbare materialen, aluminiumprofielen non-ferro metaal, en kunststoffen.

Werkstukken met een ronde of onregelmatige doorsnee (bijv. brandhout) mogen niet gezaagd worden, omdat deze bij het zagen niet veilig kunnen worden vastgehouden. Bij het verticaal zagen van platte werkstukken moet een geschikte hulpaanslag worden gebruikt voor een veilige geleiding

RESTERENDE GEVAREN

Zelfs bij correct gebruik van het product kunnen resterende gevaren niet volledig worden uitgesloten. De bediener dient de volgende punten in acht te nemen om eventuele risico's te vermijden:

- De bediener dient geschikte gehoorbescherming te dragen ter vermindering van gehoorschade en de blootstelling aan lawaai zo kort mogelijk te houden.
- De bediener dient maatregelen te treffen om het effect van de vibraties te verminderen en de blootstelling aan vibraties zo kort mogelijk te houden.
- De bediener moet een ademhalingsmasker dragen om risico's voor de gezondheid te vermijden die kunnen ontstaan door het inademen van zaagstof.

NETAANSLUITING

Uitsluitend op éénpfase-wisselstroom en uitsluitend op de op het typeplaatje aangegeven netspanning aansluiten. Aansluiting is ook mogelijk op een stekerdos zonder aardcontact mogelijk, omdat het is ontworpen volgens veiligheidsklasse II.

Verplaatsbaar gereedschap moet bij het gebruik buiten aan een aardlekschakelaar (FI,RCD,PRCD) aangesloten worden.

Machine alleen uitgeschakeld aan het net aansluiten.

Snoer altijd buiten werkbereik van de machine houden.

Voor alle ombouw- of onderhoudswerkzaamheden, de stekker uit de wandkontaktdos nemen.

Een stroomstoot veroorzaakt stroomschommelingen die andere elektrische producten op dezelfde stroomtoevoer kunnen beïnvloeden. Verbind het product met een stroombron waarvan de impedantie gelijk is aan 0,3 Ω om de spanningsschommelingen te minimaliseren.

Neem contact op met uw energieleverancier voor meer informatie.

ONDERHOUD

Voor alle werkzaamheden aan de machine de stekker uit de kontaktdos trekken.

Als de aansluitleiding van het elektrische gereedschap beschadigd is, moet deze worden vervangen door een speciaal voorbereide aansluitleiding die verkrijgbaar is via de klantenservice-organisatie.

Zorg ervoor dat het werktuig van de stroomvoorziening wordt ontkoppeld voor u het zaagblad vastmaakt of verwijdert.

Vervang een versleten tafelelement.

Reinig het apparaat en de veiligheidsinrichting met een droge doek.

Altijd de luchtspleten van de machine schoonhouden.

Alléén AEG toebehoren en onderdelen gebruiken. Onderdelen welke niet vermeld worden, kunnen het beste door de AEG service-dienst verwisseld worden (zie Serviceadressen).

Onder vermelding van het nummer op het machineplaatje is desgewenst een doorsnedetekening van de machine verkrijgbaar bij: Techtronic Industries GmbH, Max-Eyth-Straße 10, 71364 Winnenden, Germany.



EC - VERKLARING VAN OVEREENSTEMMING

We verklaren geheel onder eigen verantwoordelijkheid dat het product in de "Technische data" voldoet aan alle relevante bepalingen van de richtlijnen

2011/65/EU (RoHS)

2006/42/EG

2014/30/EU

en de volgende geharmoniseerde normen zijn gebruikt.

EN 61029-1:2009 + A11:2010

EN 61029-2-9:2012 + A11:2013

EN 55014-1:2006+A1:2009+A2:2011

EN 55014-2:1997 + A1:2001 + A2:2008

EN 61000-3-2:2014

EN 61000-3-11:2000

EN 50581:2012



Elektrisch gereedschap van de beschermingsklasse II. Elektrisch gereedschap waarbij de bescherming tegen elektrische schokken niet afhankelijk is van de basisisolatie, maar waarin ook extra veiligheidsmaatregelen worden toegepast zoals dubbele of versterkte isolatie.

Er is geen voorziening voor de aansluiting van een aardleiding.



CE-keurmerk



UkrSEPRO -symbool van overeenstemming.



EurAsian-symbool van overeenstemming.



Winnenden, 2016-03-25

Alexander Krug / Managing Director

Gemachtigd voor samenstelling van de technische documenten

Techtronic Industries GmbH

Max-Eyth-Straße 10, 71364 Winnenden, Germany

SYMBOLEN



OPGELET! WAARSCHUWING! GEVAAR!



Voor alle werkzaamheden aan de machine de stekker uit de contactdoos trekken.



Graag instructies zorgvuldig doorlezen vóórdat u de machine in gebruik neemt.



Bij het werken met de machine altijd een veiligheidsbril dragen.



Draag oorbeschermers!



Draag veiligheidshandschoenen!



Houd de handen altijd buiten het bereik van het zaagblad.



Het apparaat is alléén geschikt voor toepassing in ruimtes, apparaat niet aan regen blootstellen.



Niet in de laserstraal kijken



Het product stemt overeen met laserklasse 2 volgens EN 60825-1:2007.



Elektrische apparaten mogen niet via het huisafval worden afgevoerd. Elektrische en elektronische apparaten moeten gescheiden worden verzameld en voor een milieuvriendelijke afvoer worden afgegeven bij een recyclingbedrijf. Informeer bij uw gemeente of bij uw vakhandelaar naar recyclingbedrijven en inzamelpunten.

TEKNISKE DATA	PS 216 L	PS 254 L
Kap-/geringssav *		
Produktionsnummer	4522 03 02... 4522 06 02... ... 000001-999999	4522 09 02... 4522 12 02... ... 000001-999999
Nominel optagen effekt	220-240 V, 50 Hz, S6(40%), 1500 W, 6,5 A	220-240 V, 50 Hz, S6(40%), 2000 W, 8,3 A
Omdrejningstal, ubelastet	5000 min ⁻¹	4500 min ⁻¹
Savklinge-ø x hul-ø	216 x 30 mm	254 x 30 mm
Klingetykkelse	1,6 mm	1,8 mm
Klippekapacitet maks. gering 0°/ Hældning 0° gering 45°/ Hældning 0° gering 0°/ Hældning 45° gering 45°/ Hældning 45°	65 x 305 mm 65 x 215 mm 36 x 305 mm 36 x 215 mm	90 x 305 mm 90 x 215 mm 50 x 305 mm 50 x 215 mm
Min. mål på arbejdsemner	130 x 35 x 2,5 mm	130 x 35 x 2,5 mm
Vægt svarer til EPTA-procedure 01/2003	16,7 kg	19,6 kg
Støjinformation Måleværdier beregnes iht. EN 61029-2-9:2009. Værktøjets A-vurderede støjniveau er typisk: Lydtrykniveau (Usikkerhed K=3dB(A)) Lydeffekt niveau (Usikkerhed K=3dB(A)) Brug høreværn! Vibrationsinformation Samlede vibrationsværdier (værdisum for tre retninger) beregnet iht. EN 61029-2-9:2009. Savning af træ: Vibrationseksponering a _h Usikkerhed K=	99,2 dB (A) 112,2 dB (A)	96,7 dB (A) 109,7 dB (A) 2,133 m/s ² 1,5 m/s ²



¹ PS \triangleq Kap-/geringssav

² 56-40% indikerer en belastningsprofil på 4 min belastning og 6 min tomgangstid

ADVARSEL!

Svingningsniveauet, som er angivet i disse anvisninger, er målt i henhold til standardiseret måleprocedure ifølge EN 61029 og kan anvendes til indbyrdes sammenligning mellem el-værktøjer. Svingningsniveauet er ligeledes egnet som foreløbigt skøn over svingningsbelastningen.

Det angivne svingningsniveau er baseret på el-værktøjets primære anvendelsesformål. Hvis el-værktøjet benyttes til andre formål, med andet indsatsværktøj eller ikke vedligeholdes tilstrækkeligt, kan svingningsniveauet afvige. Dette kan øge svingningsbelastningen over den samlede arbejdsperiode betydeligt.

For en nøjagtig vurdering af svingningsbelastningen skal der også tages højde for de tidsperioder, hvor apparatet er slukket, eller hvor apparatet kører, men uden at være i anvendelse. Dette kan reducere svingningsbelastningen over den samlede arbejdsperiode betydeligt.

Supplerende sikkerhedsforanstaltninger til beskyttelse af brugeren mod påvirkninger fra svingninger skal iværksættes, f.eks.: Vedligeholdelse af el-værktøj og indsatsværktøj, varmholdelse af hænder, organisering af arbejdsprocesser.

ADVARSEL!

Læs alle sikkerhedsanvisninger og øvrige vejledninger. I

tilfælde af manglende overholdelse af advarselshenvisningerne og instrukserne er der risiko for elektrisk stød, brand og/eller alvorlige kvæstelser.

Opbevar alle advarselshenvisninger og instrukser til senere brug.

SIKKERHEDSINSTRUKTIONER FOR KAP-/GERINGSSAV

Bær høreværn. Støjen kan føre til nedsat hørelse.

Når der arbejdes med maskinen, skal man have beskyttelsesbriller på. Beskyttelseshandsker, skridsikre sko, høreværn og forklæde anbefales.

Støv, som opstår i forbindelse med fræsarbejdet, er ofte sundhedskadeligt og må ikke trænge ind i kroppen. Brug en støvsuger og bær egnet støvbeskyttelsesmaske. Fjern grundigt aflejret støv (f.eks. ved opugning).

Brug beskyttelseshandsker!

Det anbefales at læse brugsanvisningen grundigt igennem, før maskinen tages i brug første gang, og lade sig instruere i den praktiske håndtering.

Sørg for, at maskinen altid står stabilt (fastgør den f.eks. på arbejdsbænken).

Hold bunden fri for materialerester f.eks. spåner og rester fra savningen.

Benyt ikke savblade, der er beskadiget eller deformert.

Savklinger, som ikke svarer til data i denne brugsanvisning, må ikke anvendes.

Der må kun anvendes værktøj, som opfylder EN 847-1.

Brug ikke savklinger, som er fremstillet af high-speed stål.

Brug kun savklinger, som er ordentligt skærpede.

Vælg en savklinge, som passer til det emne, der skal skæres over.

Det maksimale omdrejningstal, som står angivet på savklingen, må ikke overskrides.

Værktøjerne skal opbevares og transporteres i dertil egnede beholdere;

Brug den medfølgende flange (afbildet i betjeningsvejledningen) til at fastgøre savklingen med.

Anvend ikke kapsaven til overskæring af emner, som ikke står nævnt i betjeningsvejledningen.

Benyt kun kapsaven med en sikkert fungerende og godt vedligeholdt sikkerhedsskærm. Sikkerhedsskærmen skal dreje automatisk tilbage.

Når der udføres koniske skæringer, skæringer i gering eller i blandet gering, tilpas glidehegnet for at sikre den korrekte afstand til bladet.

Fjern ikke træaffald eller andre dele af arbejdsemner fra saveområdet, når maskinen kører og savhovedet ikke er i hvilestilling.

Pas på ikke at få hånden ind i maskinen.

Maskinens sikkerhedsindretning bør ubetinget benyttes.

Fejl i maskinen, inklusiv beskyttelsesanordning eller savklinger, skal straks meddeles den sikkerhedsansvarlige.

Den mobile beskyttelsesskærm må ikke blokeres i åbnet tilstand.

Lange emner skal støttes af på passende måde.

Udskift aldrig LED'en med en anden.

Tag fat i håndtaget, når du transporterer kapsaven - transportirkingen skal være i indgreb.

Tilslut saven til en støvsuger ved savning af træ.

Anvend ikke dette værktøjs støvdugsnug som støvsuger for at sugе genstand som f.eks. hårde dele af emner eller søm op. Udsugningsenheden beskadiges herved.

LASER

Kig ikke ind i laserstrålen, og ret den ikke mod andre personer.

Kig ikke ind i laseren gennem optiske instrumenter (kikkert, teleskop).

Ret ikke laseren mod reflekterende overflader.

Undgå lasereksponering. Laseren kan udsende en meget kraftig stråling.

Erstat ikke den indbyggede laser med en laser af en anden type. Reparationer må kun udføres af autoriserede serviceteknikere.

TILTÆNKT FORMÅL

Kapsaven kan anvendes til savning af massivt træ, limet træ, træliggende materialer, aluminiumsprofiler, uædle metaller og plastmaterialer.

Arbejdsemner med rundt eller uregelmæssigt tværsnit (f.eks. brænde) må ikke saves, da sådanne emner ikke kan holdes sikkert under savningen. Ved savning på højkant af flade arbejdsemner skal der benyttes et egned hjælpeslag for sikker føring.

RESTRISICI

Selv hvis produktet bruges korrekt, kan restrisici ikke helt udelukkes. Ved brug kan følgende risici opstå, og derfor bør brugeren lægge mærke til det følgende:

- For at undgå høreskader skal eksponeringstiden begrænses, og der skal bruges egned høreværn.
- Brugeren bør træffe forholdsregler for at reducere virkningerne af vibrationerne og begrænse eksponeringstiden.
- Der skal bruges en støvmaske for at undgå helbredsrisici, der kan opstå ved indånding af savstøv.

NETTILSLUTNING

Tilslutning må kun foretages til enfased vekselstrøm og kun til en netspænding, som er i overensstemmelse med angivelsen på mærkepladen. Tilslutning kan også ske til stikdåser uden beskyttelseskontakt, da kapslingsklasse II foreligger.

Stikdåser uendørs skal være forsynet med fejlstrømsikrings-kontakter (FI, RCD, PRCD). Det forlanger installationsforskriften for Deres elektroanlæg. Overhold dette, når De bruger vores maskiner.

Maskinen slutes kun udkoblet til stikdåsen.

Tilslutningskablet holdes hele tiden væk fra maskinens arbejdsområde. Kablet ledes altid bort bag om maskinen.

Kontroller hvergang, før laderen anvendes, at tilslutningskabel, forlængerkabel og stik er i orden. Dele der er beskadiget bør kun repareres hos et autoriseret værksted.

En strømspids forårsager spændingssvingninger og kan påvirke andre elektriske produkter tilsluttet samme strømforsyningslinje. Produktet skal slutes til en strømforsyning med en impedans svarende til 0,3 Ω for at minimere spændingssvingninger.

Kontakt dit elselsskab for nærmere oplysninger.

VEDLIGEHOLDELSE

Før ethvert arbejde ved maskinen skal stikket tages ud af stikdåsen.

Hvis elværktøjets tilslutningsledning er beskadiget, skal den erstattes med en specielt forberedt tilslutningsledning, der kan fås via kundeserviceorganisation.

Husk at afbryde værktøjet fra strømforsyningen inden montering eller udtagning af savklingen.

Udskift en slidt bordindsats.

Rengør maskinen og beskyttelsesudstyret med en tør klud.

Hold altid maskinens ventilationsåbninger rene.

Brug kun AEG tilbehør og reservedele. Lad de komponenter, hvis udskiftning ikke er blevet beskrevet, udskifte hos Atlas Copco service (se kundeserviceadresser).

Ved opgivelse af type nr. der er angivet på maskinens effektskilt, kan de rekvirere en reservedelstegning, ved henvendelse til: Techtronic Industries GmbH, Max-Eyth-Straße 10, 71364 Winnenden, Germany.



CE-KONFORMITETSERKLÆRING

Vi erklærer som eneansvarlige, at produktet, som beskrives under „Tekniske data“, opfylder alle de relevante bestemmelser i direktiverne

2011/65/EU (RoHS)

2006/42/EF

2014/30/EU

og følgende harmoniserede standarder er blevet anvendt.

EN 61029-1:2009 + A11:2010

EN 61029-2-9:2012 + A11:2013

EN 55014-1:2006+A1:2009+A2:2011

EN 55014-2:1997 + A1:2001 + A2:2008

EN 61000-3-2:2014

EN 61000-3-11:2000

EN 50581:2012



Winnenden, 2016-03-25

Alexander Krug / Managing Director
Autoriseret til at udarbejde de tekniske dokumenter.

Techtronic Industries GmbH
Max-Eyth-Straße 10, 71364 Winnenden, Germany

SYMBOLER



VIGTIGT! ADVARSEL! FARE!



Før ethvert arbejde ved maskinen skal stikket tages ud af stikdåsen.



Læs brugsanvisningen nøje før ibrugtagning.



Når der arbejdes med maskinen, skal man have beskyttelsesbriller på.



Brug høreværn!



Brug beskytteshandsker!



Hold altid hænderne væk fra savbladets område.



- Maskinen er kun egnet til indendørsbrug, maskinen må ikke udsættes for regn.



Kig ikke ind i laserstrålen



Produktet svarer til laserklasse 2 i henhold til EN 60825-1:2007.



Elektrisk udstyr må ikke bortskaffes sammen med det almindelige husholdningsaffald. Elektrisk og elektronisk udstyr skal indsamles særskilt og afleveres hos en genbrugsvirksomhed til en miljømæssig forsvarlig bortskaffelse. Spørg de lokale myndigheder eller din forhandler om genbrugsstationer og indsamlingssteder til sådant affald.



Kapslingsklasse II elværktøj. Elværktøj, hvor beskyttelsen mod et elektrisk stød ikke kun afhænger af basisisoleringen men også af, at der anvendes yderligere beskyttelsesforanstaltninger som dobbelt isolering eller forstærket isolering.

Der findes ikke udstyr til tilslutning af en beskyttelsesleder.



CE-mærke



UKRSEPRO overensstemmelsesmærke.



EurAsian overensstemmelsesmærke.



TEKNISKE DATA	PS 216 L	PS 254 L
Kapp-/gjæringssag *		
Produksjonsnummer	4522 03 02... 4522 06 02... ... 000001-999999	4522 09 02... 4522 12 02... ... 000001-999999
Nominell inngangseffekt	220-240 V, 50 Hz, S6(40%), 1500 W, 6,5 A	220-240 V, 50 Hz, S6(40%), 2000 W, 8,3 A
Tomgangsturtall	5000 min ⁻¹	4500 min ⁻¹
Sagblad-ø x hull-ø	216 x 30 mm	254 x 30 mm
sagebladykkelse	1,6 mm	1,8 mm
Skjærekapasitet maks		
Gjæring 0°/ Helling 0°	65 x 305 mm	90 x 305 mm
Gjæring 45°/ Helling 0°	65 x 215 mm	90 x 215 mm
Gjæring 0°/ Helling 45° ↙	36 x 305 mm	50 x 305 mm
Gjæring 45°/ Helling 45° ↘	36 x 215 mm	50 x 215 mm
Min. verktøymå	130 x 35 x 2,5 mm	130 x 35 x 2,5 mm
Vekt i henhold til EPTA-Prosedyren 01/2003	16,7 kg	19,6 kg
Støyinformasjon		
Måleverdier fastslått i samsvar med EN 61029-2-9:2009. Det typiske A-bedømte støynivået for maskinen er:		
Lydtrykknivå (Usikkerhet K=3dB(A))	99,2 dB (A)	96,7 dB (A)
Lydeffektnivå (Usikkerhet K=3dB(A))	112,2 dB (A)	109,7 dB (A)
Bruk hørselsvern!		
Vibrasjonsinformasjoner		
Totale svingningsverdier (vektorsum fra tre retninger) beregnet jf. EN 61029-2-9:2009.		
Saging av tre: Svingningsemisjonsverdi a _h	3,5 m/s ²	2,133 m/s ²
Usikkerhet K=	1,5 m/s ²	1,5 m/s ²



¹ PS ≙ Kapp-/gjæringssag

² 56-40 % indikerer en lasteprofil med 4 min lasting og 6 min ventetid

ADVARSEL!

Svingningsnivået som er angitt i denne instruksjonen er målt i overensstemmelse med målemetoden normert i direktiv EN 61029 og kan brukes til å sammenligne elektromaskiner med hverandre. Den egner seg også for en foreløbig vurdering av svingningsbelastningen.

Det angitte svingningsnivået representerer de hovedsaklige bruk av elektroverktøyet. Men anvendes elektroverktøyet for andre bruk med avvikende utskiftbare verktøy eller vedlikeholdet er utilstrekkelig, kan svingningsnivået være avvikende.

Dette kan forhøye svingningsbelastning betydelig over hele arbeidsperioden. For en nøyaktig vurdering av svingningsbelastningen må også det tas hensyn til tiden apparatet er avslått eller står på, men ikke er i bruk. Dette kan redusere svingningsbelastningen betydelig over hele arbeidsperioden.

Innfor også ekstra sikkerhetstiltak for å beskytte bruker mot utvirkingen av svingningene. Disse kan f.eks. være: vedlikehold av elektroverktøyet og det utskiftbare verktøyet, holde hendene varme, organisasjon av arbeidsforløpet.

ADVARSEL!

Les alle sikkerhetsinstrukser og bruksanvisninger. Feil ved overholdelsen av advarslene og nedenstående anvisninger kan medføre elektriske støt, brann og/eller alvorlige skader.

Ta godt vare på alle advarslene og informasjonene.

SIKKERHETSINSTRUKSER FOR KAPP-/GJÆRINGSSAG

Bruk hørselsvern. Støy kan føre til tap av hørselen.

Bruk alltid vernebrille når du arbeider med maskinen. Det anbefales å bruke arbeidshansker, faste og sklisikre sko og forkle.

Støv som oppstår under arbeidet er ofte helsefarlig og bør ikke komme inn i kroppen. Bruk støvavsug og i tillegg egnete støvbeskyttelsesmaske. Fjern oppsamlet støv grundig, f.eks. oppsuging.

Bruk vernehansker!

Det anbefales å lese bruksanvisningen omhyggelig og bli instruert i den praktiske håndteringen før apparatet tas i bruk første gang.

Kontroller at maskinen alltid står stabilt (f. eks at den er festet på arbeidsbenken).

Gulver skal være fritt for spon og sagerester.

Bruk ingen sageblad som er skadet eller deformert

Ikke bruk sagblad som ikke er i tråd med egenskapene i denne bruksanvisningen.

Bruk bare verktøy som er i samsvar med EN 847-1.

Bruk ingen sageblad laget av hurtigstål.

Bruk bare ordenlig slipte sageblad.

Bruk sagblad som er egnet for materialet som skal sages.

Det på sagebladet angitte maksimum omdreiningstallet må overholdes.

Verktøyene må oppbevares og transporteres i egnet beholder;

Bruk bare de vedlagte flensene og de flensene som det er bilde av i bruksanvisningen for å feste sagebladet.

Norsk

Bruk kappsagen aldri for saging av andre materialer enn de som er oppgitt i bruksanvisningen.

Bruk kappsagen bare med sikker funksjonerende og godt vedlikeholdt beskyttelseshette. Beskyttelseshetten skal automatisk trekke seg tilbake.

Når du kutter med gjær-, kapp- eller kombisag, juster sleidesikringen for å sikre riktig avstand til bladet.

Ikke fjern sagerester eller andre deler av arbeidsstykker fra sagens område mens maskinen går og sagedode ikke befinner seg i hvilestilling.

Ikke grip inn i fareområdet mens maskinen er i gang.

Bruk alltid maskinens beskyttelsesinnretninger.

Feil i maskinen, også innebefattet verneinnretningen eller sagedbladene, skal med en gang de oppdages, meldes til personen som er ansvarlig for sikkerheten.

Det bevegelige vernedekselet må ikke klemmes fast i åpent tilstand.

Langt materiale skal støttet på egnet måte.

Ikke skift ut LEDen mot en annen type.

Transporter kappsagen bare når transportsikringen på håndtaket griper riktig inn i sikringen.

Koble sagen til en støvsuger når det sages i tre.

Ikke bruk støvavsugningsfunksjonen til dette apparatet som støvsuger for å støvsuge bort gjenstander som f.eks. harde deler av arbeidsstykkene eller spiker. Støvavsugningsinnretningen blir skadet på grunn av dette.

LASER

Se ikke inn i laserstrålen og rett den ikke mot andre personer.

Se ikke inn i laseren med optiske hjelpemidler (kikkert, teleskop).

Rett ikke laseren mot reflekterende flater.

Utsett deg ikke for laserstråling. Laseren kan sende ut sterk stråling.

Bytt ikke innebygget laser ut mot en annen type laser.

Reparasjoner skal kun utføres av autoriserte service- teknikere.

FORMÅLMESSIG BRUK

Kappsagen er egnet for saging av massivt tre, sammenlimt tre, tre lignende materiale, aluminiumprofiler, uedelt metall og kunststoff.

Arbeidsstykker med runde eller uregelmessig tverrsnitt (f.eks ved) skal ikke sages, fordi disse ikke kan holdes sikkert ved sagingen. Ved saging av flate arbeidsstykker på høykant skal det brukes et egnet hjelperekskap for sikker føring av arbeidsstykket.

RESTFARER

Selv ved sakkyndig bruk av produktet kan restfarer ikke helt utelukes. Ved bruk kan følgende risikoer oppstå og derfor må bruker ta hensyn til følgende:

- For å unngå hørselsskader må eksplosjonstiden innskrenkes og det skal brukes egnet hørselsvern.
- Bruker skulle ta forholdsregler for å minimere virkningen av vibrasjonene og for å begrense eksplosjonstiden.
- Det skal brukes åndedrettsvern for å unngå sunnheitsrisikoer som kan oppstå ved å puste inn sagstøv.

NETTILKOPLING

Skal bare tilsluttes enfasevekselstrøm og bare til den på skiltet angitte nettspenning. Tilslutning til stikkontakter uten jordet kontakt er mulig fordi beskyttelse beskyttelsesklasse II er forhanden.

Stikkontakter utendørs må være utstyrt med feilstrøm-sikkerhetsbryter (FI, RCD, PRCD). Dette forlanges av installasjonsforskriften for elektroanlegg. Vennligst følg dette når du bruker vårt apparat.

Maskinen må være slått av når den koples til stikkkontakten.

Hold ledningen alltid vekk fra maskinens virkeområde. Før ledningen alltid bakover fra maskinen.

Kontroller apparat, tilkoplingsledning, akkupaack skjøteledning og støpsel for skader og aldring før bruk. La en fagmann reparere skadete deler.

Strømstans skaper spenningsvariasjoner og kan påvirke andre elektriske apparater på den samme kursen. Koble produktet til en strømforsyning med en impedans lik 0,3 Ω for å minimere spenningssvingninger.

Kontakt det lokale energiverket for å få en ytterligere klargjøring

VEDLIKEHOLD

Trekk sløset ut av stikkkontakten før du begynner arbeider på maskinen.

Er tilkoblingsledningen til elektroverktøyet skadet, må den skiftes ut med en spesielt laget tilkoblingsledning som er å få hos kundeservice organisasjonen.

Vær sikker på at støpslet er trukket ut av strømkontakten før det demonteres eller monteres sagblad.

Skift slitte bordinnlegg

Rengjør apparatet og verneinnretningen med en tørr klut.

Hold alltid luftenåpningene på maskinen rene.

Bruk kun AEG tilbehør og reservedeler. Komponenter der utskifting ikke er beskrevet skal skiftes ut hos AEG kundeservice (se brosjyre garanti/kundeserviceadresser).

Ved behov kan du be om en eksplosjonstegning av apparatet hos din kundeservice eller direkte hos Techtronic Industries GmbH, Max-Eyth-Straße 10, 71364 Winnenden, Germany. Oppgi maskintype og det nummeret på typeskiltet.

CE-SAMSVARERKLÆRING

Vi erklærer i alene ansvar at produktet beskrevet i „Teknisk data“ overensstemmer med alle relevante forskrifter til Eu direktiv 2011/65/EU (RoHS)

2006/42/EC

2014/30/EU

og de følgende harmoniserte normative dokumentene. fyrstikker

EN 61029-1:2009 + A11:2010

EN 61029-2-9:2012 + A11:2013

EN 55014-1:2006+A1:2009+A2:2011

EN 55014-2:1997 + A1:2001 + A2:2008

EN 61000-3-2:2014

EN 61000-3-11:2000

EN 50581:2012



Winnenden, 2016-03-25

Alexander Krug / Managing Director

Autorisert til å utarbeide den tekniske dokumentasjonen

Techtronic Industries GmbH

Max-Eyth-Straße 10, 71364 Winnenden, Germany



SYMBOLER



OBS! ADVARSEL! FARE!



Trekk støpslet ut av stikkkontakten før du begynner arbeider på maskinen.



Les nøye gjennom bruksanvisningen før maskinen tas i bruk.



Bruk alltid vernebrille når du arbeider med maskinen.



Bruk hørselsvern!



Bruk vernehansker !



Hold hendene borte fra området til sagebladet.



Apparatet er kun egnet for bruk innendørs, det må ikke utsettes for regn.



Se ikke inn i laseren.



Produktet tilsvarer laserklasse 2 i henhold til EN 60825-1:2007.



Elektriske apparat skal ikke kastes sammen med vanlig husholdningsavfall. Elektriske og elektroniske apparat skal samles separat og leveres til miljøvennlig deponering til en avfall bedrift. Informer deg hos myndighetene på stedet eller hos din fagforhandler hvor det finnes recycling bedrifter oppsamlingssteder.



Elektroverktøy av verneklasse II. Elektroverktøy hvor beskyttelse mot elektrisk slag ikke bare er avhengig av basisisoleringen, men som også er avhengig av at tilleggs vernetiltak som dobbelt eller forsterket isolering blir brukt.

Det finnes ingen innretning for tilkobling av en beskyttelsesleder.



CE-tegn



UkrSEPRO Konformitetstegn.



EurAsian Konformitetstegn.



TEKNISKA DATA Kap-/geringsåg *	PS 216 L	PS 254 L
Produktionsnummer	4522 03 02... 4522 06 02... ... 000001-999999	4522 09 02... 4522 12 02... ... 000001-999999
Nominell upptagen effekt	220-240 V, 50 Hz, S6(40%), 1500 W, 6,5 A	220-240 V, 50 Hz, S6(40%), 2000 W, 8,3 A
Tomgångsvarvtal, obelastad	5000 min ⁻¹	4500 min ⁻¹
Sågklinga- \emptyset x hål- \emptyset	216 x 30 mm	254 x 30 mm
Sågklingans tjocklek	1,6 mm	1,8 mm
Skäreffekt max. Gering 0°/ Lutning 0° Gering 45°/ Lutning 0° Gering 0°/ Lutning 45° Gering 45°/ Lutning 45°	65 x 305 mm 65 x 215 mm 36 x 305 mm 36 x 215 mm	90 x 305 mm 90 x 215 mm 50 x 305 mm 50 x 215 mm
Min. avmätning av arbetsstycket	130 x 35 x 2,5 mm	130 x 35 x 2,5 mm
Vikt enligt EPTA 01/2003	16,7 kg	19,6 kg
Bullerinformation Mätvärdena har tagits fram baserade på EN 61029-2-9:2009. A-värdet av maskinens ljudnivå utgör: Ljudtrycksnivå (Onoggrannhet K=3dB(A)) Ljudeffektsnivå (Onoggrannhet K=3dB(A))	99,2 dB (A) 112,2 dB (A)	96,7 dB (A) 109,7 dB (A)
Använd hörselskydd! Vibrationsinformation Totala vibrationsvärden (vektorsumma ur tre riktningar) framtaget enligt EN 61029-2-9:2009. Sågning i trä: Vibrationsemissionsvärde a_h Onoggrannhet K=	3,5 m/s ² 1,5 m/s ²	2,133 m/s ² 1,5 m/s ²



¹ PS \triangleq Kap-/geringsåg

² 56-40% indikerar en lastprofil på fyra min. belastning och sex min. stilleståndstid

VARNING!

Den i de här anvisningarna angivna vibrationsnivån har uppmätts enligt ett i EN 61029 normerat mätförfarande och kan användas vid jämförelse mellan olika elverktyg. Nivån är även lämplig att använda vid en preliminär bedömning av vibrationsbelastningen.

Den angivna vibrationsnivån representerar den huvudsakliga användningen av det aktuella elverktyget. Men om elverktyget ska användas i andra användningsområden, tillsammans med avvikande insatsverktyg eller efter otillräckligt underhåll, kan vibrationsnivån skilja sig. Det kan öka vibrationsbelastningen betydligt under hela arbetstiden.

För att få en exaktare bedömning av vibrationsbelastningen ska även den tid beaktas, under vilken elverktyget är avstängt eller är påslaget, utan att det verkligen används. Det kan reducera vibrationsbelastningen betydligt under hela arbetstiden.

Lägg som skydd för användaren fast extra säkerhetsåtgärder mot vibrationernas verkan, som till exempel: underhåll av elverktyg och insatsverktyg, varmhållning av händer och organisering av arbetsförlopp.

⚠️ VARNING!

Läs alla säkerhetsanvisningar och andra tillhörande anvisningar. Fel som uppstår till följd av att anvisningarna nedan inte följs kan orsaka elstöt, brand och/eller allvarliga kroppsskador.

Förvara alla varningar och anvisningar för framtida bruk.



SÄKERHETSANVISNINGAR FÖR KAP-/GERINGSSÅG

Bär hörselskydd. Buller kan leda till att du förlorar hörseln.

Använd alltid skyddsglasögon, skyddshandskar och hörselskydd.

Damm som uppkommer vid arbeten med denna maskin kan vara skadligt för hälsan om de når kroppen. Använd ett utslagningsssystem och bär skyddsmask. Avlägsna kvarblivande damm med t.ex. en dammsugare.

Bär skyddshandskar!

Vi rekommenderar att inför första användningen läsa bruksanvisningen och sätta sig in i redskapets funktionsätt.

Se till att maskinen alltid står stadigt (t.ex. genom att fästa den på arbetsbänken).

Se till att golvet alltid är fritt från materialrester t.ex. spån och sågrester.

Använd inga sågblad som har tagit skada eller är defomerade. Sågklinga, vars värden inte överensstämmer med data i denna bruksanvisning, får ej användas.

Endast verktyg som uppfyller EN 847-1 får användas.

Använd inga sågklingor som är tillverkade av high-speed stål.

Använd endast sågklingor som har skärpts på föreskrivet sätt.

Välj en sågklinga som lämpar sig för materialet som ska sågas.

Det maximala varvtalet som står på sågklingan får inte överskridas.

Verktygen måste transporteras och förvaras i en därtill lämplig behållare;

Använd endast de flänsar som bifogas och som visas i bruksanvisningen för att fästa sågklingan.

Använd sågen aldrig för andra material än de som anges i bruksanvisningen.

Använd kapsägen endast om skyddhuvn fungerar felfritt och om den har skötts på föreskrivet sätt. Skyddhuvn måste svänga tillbaka automatiskt.

Justera styrskenan när du utför geringssnitt, avfasningsnitt eller sammansatta geringssnitt för att försäkra dig om korrekt säkerhetsmarginal från klingan.

Avlägsna ej några sågningsrester eller andra delar av arbetssycket från sågens arbetsområde, när maskinen är i gång och såghuvudet inte är i viloläge.

Lakttag största försiktighet när maskinen är igång.

Använd alltid maskinens skyddsanordningar.

Fel på maskinen, inklusive skyddsanordningen, ska omgående meddelas säkerhetsansvarig.

Sågens pendelskyddskåpa får ej fastläsas.

Stötta långa arbetsstycken på lämpligt sätt.

Byt inte ut LED:n mot en annan.

Transportera kapsägen endast med hjälp av handtaget - transport-säkringning måste ha gått i lås.

Anslut sågen till en dammsugning när du sågar trä.

Använd inte dammsugningsanordningen som hör till detta verktyg som dammsugare för att suga upp föremål, t.ex. hårda delar av arbetsstycken eller spikar. Utsugningsanordningen skulle kunna skadas.

LASER

Titta aldrig direkt in i laserstrålen och rikta den inte mot andra personer.

Titta aldrig med optiska hjälpmedel (kikare, teleskop) in i laserstrålen.

Rikta lasern inte på reflekterande ytor.

Utsätt ingen för laserstrålningen. Lasern kan sända en mycket stark strålning.

Byt inte ut monterad laser mot en laser av annan typ.

Reparationer får endast utföras av auktoriserade service-tekniker.

ANVÄND MASKINEN ENLIGT ANVISNINGARNA

Kapsägen kan användas för att såga massivt trä, limmat trä, träliknande material, aluminiumprofiler, mjukt metall och plast.

Arbetsstycken med runt eller oregelbundet tvärsnitt (t ex ved) får ej sågas, eftersom dessa inte kan fixeras på ett säkert sätt. För att såga plana arbetsstycken vertikalt, skall användas lämpligt stödanslag för säker styrning av arbetssycket.

KVARSTÅENDE RISKER

Även om produkten används på ändamålsenligt och föreskrivet sätt kan kvarstående risker aldrig helt uteslutas. Vid användningen finns nedan nämnda risker varför du som användare vid sidan om alla andra föreskrifter också ska beaktas följande:

- Använd lämpligt hörselskydd och begränsa exponeringstiden för att undvika hörselskador.
- Vidtag lämpliga åtgärder för att reducera följderna av vibrationer och begränsa exponeringstiden.
- Använd en andningskyddsmask för att förhindra att du andas in sågdam som kan ge hälsoskador.

NÄTANSLUTNING

Får endast anslutas till 1-fas växelström och till den spänning som anges på dataskylten. Anslutning kan även ske till eluttag utan skyddskontakt, eftersom konstruktionen motsvarar skyddsklass II.

Anslut alltid verktyget till via en felströmbrytare (FI, RCD, PRCD) vid användning utomhus.

Maskinen skall vara fränkopplad innan den ansluts till väggurtag.

Nätkabeln skall alltid hållas ifrån arbetsområdet. Lägg kabeln bakåt i förhållande till arbetsriktningen.

Bryt alltid strömmen vid ombyggnads- och servicearbeten.

Spänningstopp ger spänningsvariationer och kan påverka andra elektrisk produkter anslutna till samma källa. Anslut produkten till en strömkälla med impedans mostvarande $0,3 \Omega$ för att minimera svängningar.

Kontakta din elleverantör för ytterligare klargöranden.

SKÖTSEL

Drag alltid ur kontakten när du utför arbeten på maskinen.

Om elverktygets anslutningskabel är skadad så ska den bytas ut mot en speciell förmonterad anslutningskabel som kundtjänsten tillhandahåller.

Koppla alltid bort verktyget från eluttaget innan du sätter dit eller tar bort sågklingan.

Byt ut bordsinlägget om det är slitet.

Rengör både verktyget och skyddsanordningen med en torr trasa.

Se till att motorhöljets luftslitsar är rena.

Använd endast AEG tillbehör och reservdelar. Reservdelar vars utbyte ej beskrivs byts bäst av AEG auktoriserad serviceverkstad (se broschyr Garanti/Kundtjänstadresser).

Vid behov av sprängskiss, kan en sådan, genom att uppges maskinens art. nr. (som finns på typskylten) erhållas från: Techtronic Industries GmbH, Max-Eyth-Straße 10, 71364 Winnenden, Germany.

CE-FÖRSÄKRAN

Vi tar på vårt ansvar att produkten som har beskrivits under Tekniska data uppfyller alla relevanta villkor i direktiven 2011/65/EU (RoHS)

2006/42/EG

2014/30/EU

samt att följande harmoniserade standarder har använts.

EN 61029-1:2009 + A11:2010

EN 61029-2-9:2012 + A11:2013

EN 55014-1:2006+A1:2009+A2:2011

EN 55014-2:1997 + A1:2001 + A2:2008

EN 61000-3-2:2014

EN 61000-3-11:2000

EN 50581:2012



Winnenden, 2016-03-25

Alexander Krug / Managing Director

Befullmäktigad att sammanställa teknisk dokumentation.

Techtronic Industries GmbH

Max-Eyth-Straße 10, 71364 Winnenden, Germany

Svenska

SYMBOLER



OBSERVERA! VARNING! FARA!



Drag alltid ur kontakten när du utför arbeten på maskinen.



Läs instruktionen noga innan du startar maskinen.



Använd alltid skyddsglasögon.



Använd hörselskydd!



Bär skyddshandskar!



Se till att du aldrig kommer med händerna i närheten av sågbladet.



Aggregatet är endast lämpad att användas inomhus, Får ej utsättas för regn.



Titta aldrig in i laserstrålen.



Denna produkt stämmer överens med laserklass 2 enligt EN 60825-1:2007.



Elektriska maskiner och elverktyg som kasseras får inte slängas tillsammans med de vanliga hushållssoporna. Elektriska maskiner och verktyg samt elektronisk utrustning som kasseras ska samlas separat och lämnas till en avfallsstation för miljövänlig avfallshantering. Kontakta den lokala myndigheten respektive kommunen eller fråga återförsäljare var det finns speciella avfallsstationer för elskrot.



Elverktyg skyddsklass II. Elverktyg hos vilket skyddet mot elstötar inte bara är avhängigt av basisoleringen utan också av att det finns extra skyddsåtgärder, som en dubbel isolering eller en förstärkt isolering.

Det finns ingen anordning för anslutning av en skyddsledare.



CE-symbol



UkrSEPRO överensstämmelsesymbol.



EurAsian överensstämmelsesymbol.



TEKNISET ARVOT	PS 216 L	PS 254 L
Katkaisu- ja jiirisaha *		
Tuotantomerkki	4522 03 02... 4522 06 02... ... 000001-999999	4522 09 02... 4522 12 02... ... 000001-999999
Nimellinen teho	220-240 V, 50 Hz, S6(40%), 1500 W, 6,5 A	220-240 V, 50 Hz, S6(40%), 2000 W, 8,3 A
Kuormittamaton kierrosnopeus	5000 min ⁻¹	4500 min ⁻¹
Sahanterän ø x reiän ø	216 x 30 mm	254 x 30 mm
sahanterän paksuus	1,6 mm	1,8 mm
Leikkausteho enint.		
Viistekulma 0°/ Kallistus 0°	65 x 305 mm	90 x 305 mm
Viistekulma 45°/ Kallistus 0°	65 x 215 mm	90 x 215 mm
Viistekulma 0°/ Kallistus 45°	36 x 305 mm	50 x 305 mm
Viistekulma 45°/ Kallistus 45°	36 x 215 mm	50 x 215 mm
Työkappaleen minimaalinen	130 x 35 x 2,5 mm	130 x 35 x 2,5 mm
Paino EPTA-menetellyn 01/2003 mukaan	16,7 kg	19,6 kg
Melunpäästötiedot		
Mitta-arvot määritetty EN 61029 mukaan. Koneen tyyppilinen A-luokitettu melutaso:		
Melutaso (Epävarmuus K=3dB(A))	99,2 dB (A)	96,7 dB (A)
Äänenvoimakkuus (Epävarmuus K=3dB(A))	112,2 dB (A)	109,7 dB (A)
Käytä kuulosuojaimia!		
Tärinätiedot		
Värähtelyn yhteisarvot (kolmen suunnan vektorisummitattuna EN 61029 mukaan.		
Puun sahaaminen: Värähtelyemissioarvo a _h	3,5 m/s ²	2,133 m/s ²
Epävarmuus K=	1,5 m/s ²	1,5 m/s ²



¹ PS Δ Katkaisu- ja jiirisaha

² S6–40% kertoo, että lastausprofiilissa on 4 minuuttia käyttöä ja 6 minuuttia seisonta-aikaa

VAROITUS!

Näissä ohjeissa mainittu värähtelytaso on mitattu EN 61029 -standardin mukaisella mittausmenetelmällä ja sitä voidaan käyttää sähkötyökalujen vertaamiseen. Sitä voidaan käyttää myös värähtelyrasituksen väliaikaiseen arviointiin.

Mainittu värähtelytaso edustaa sähkötyökalun pääasiallista käyttöä. Jos sähkötyökalua kuitenkin käytetään muihin tehtäviin, poikkeavien työkaluina tai riittämättömästi huoltaen, värähtelytaso voi olla erilainen. Se voi korottaa värähtelyrasitusta koko työajan osalta.

Tarkan värähtelyrasituksen toteamiseen tulee ottaa huomioon aika, jona laite on kytketty pois tai on kylläkin päällä, mutta ei käytössä. Se voi pienentää värähtelyrasitusta koko työajan osalta.

Määrittele lisäturvatoimenpiteitä käyttäjän suojaamiseksi värinöiden vaikutukselta, kuten esimerkiksi: sähkötyökalujen ja käyttötyökalujen huolto, käsiin lämpimänä pitäminen, työväliheiden organisaatio.

VAROITUS!

Lue kaikki, myös annetut turvallisuusmääräykset ja käyttöohjeet. Turvallisuusohjeiden noudattamisen laiminlyönti saattaa johtaa sähköiskuun, tulipaloon ja/tai vakavaan loukkaantumiseen.

Säilytä kaikki turvallisuus- ja muut ohjeet tulevaisuutta varten.

KATKAISU- JA JIIRISAHA TURVALLISUUSMÄÄRÄYKSET

Käytä korvasuojia. Melulle altistuminen voi heikentää kuuloa. Käytä laitteella työskennellessäsi aina suojalaseja. Suojakäsineiden, turvallisten ja tukevapohjaisten kenkien, kuulosuojainten ja suojaasiiliinan käyttöä suositellaan.

Työstössä syntyvä pöly saattaa olla terveydelle vahingollista, joten sen koskettaminen tai hengittäminen tulisi välttää. Liitä kone kohdeimujärjestelmään ja käytä sopivaa pölysuojaa kasvoilla. Poista laskeutunut pöly huolellisesti esimerkiksi pölynimurilla.

Käytä suojakäsineitä!

On suositeltavaa lukea käyttöohje huolellisesti läpi ennen laitteen ensimmäistä käyttöä ja perehtyä laitteen käsittelyyn käytännössä ohjauksen alaisena.

Varmista, että kone seisoo aina tukevasti paikallaan (esim. kiinnittämällä se ruuvipenkkiin).

Pidä lattia puhtaana materiaali-jätteistä, esim. purusta ja sahausjätteistä.

Älä käytä sahanteriä, jotka ovat vahingoittuneet tai väänntyneet.

Sahanteriä, joiden tunnistetiedot erivät tästä käyttöohjeesta, ei saa käyttää.

Koneen kanssa saa käyttää vain sellaisia teriä, jotka ovat EN 847-1 mukaisia.

Ei saa käyttää pikateräksestä valmistettuja sahanteriä.

Käytä vain asianmukaisesti teroitettuja sahanteriä.

Valitse sahattavalle materiaalille sopiva sahanteri.

Sahanterään merkittyä suurinta kierrosnopeutta ei saa ylittää.

Teriä tulee kuljettaa ja säilyttää sopivassa säilytyskotelossa.

Käytä ainoastaan mukana toimitettuja ja käyttöohjeessa kuvattuja laippoja sahanterän kiinnittämiseen.

Älä koskaan käytä katkaisusahaan muiden kuin käyttöohjeessa lueteltujen materiaalien leikkaamiseen.

Käytä katkaisusahaan vain turvallisesti toimivan ja hyvin huolletun suojakuvun kera. Suojakuvun tulee kääntyä takaisin itsestään.

Viistekulmaa, vinoa reunaa tai liitoskulmaa leikattaessa säädä liukuva este varmistamaan oikea terän etäisyys.

Älä poista sahasjätteitä tai muita työkalupalojen paloja sahasu-lueelta, kun kone käy eikä sahan pää ole lepoasennossa.

Älä tartu käynnistetyn laitteen työskentelyalueelle.

Laitteen suojavarusteita on ehdottomasti käytettävä.

Koneessa, mukaanluettuna suojavarusteissa tai sahanterissä, ilmenevät viat tulee ilmoittaa heti niiden havaitsemisen jälkeen koneen turvallisesta käytöstä vastuulliselle henkilölle.

Liikkuvan teränsuojaa ei saa kiinnittää aukinaiseen.

Pitkiä työstökappaleita tulee tukea sopivin toimin.

Älä vaihda LED:in tilalle toisenlaista.

Kuljeta katkaisusahaan vain kahvasta kantaan ja kuljetusvarmistuk-sen ollessa lukittuna.

Liitä saha pölynimulaitteeseen puuta sahatessasi.

Älä käytä tämän laitteen pölynpoistoa pölynimurina, jolla imet esim. koviin työstökappaleiden tai nauhojen kaltaisia esineitä. Tämä vahingoittaa poistoimulaitetta.

LASER

Älä katso lasersäteeseen äläkä suuntaa sitä muihin henkilöihin.

Älä katso lasersäteeseen optisten apuvälineiden (kiikarin, kaukoput-ken) avulla.

Älä kohdista laseria heijastaville pinnoille.

Vältä lasersäteeseen joutumista. Laser saattaa lähettää voimakasta säteilyä.

Älä vaihda sisäänrakennettua laseria toisentyyppiseen laseriin.

Vain valtuutetut huoltoteknikot saavat suorittaa tarvittavat korjaukset.

TARKOITUKSEN MUKAINEN KÄYTTÖ

Katkaisusahaan saa käyttää umpipuun, liimatun puun, puunkalta-isten raaka-aineiden, alumiiniprofiileihin, muu kuin rautametalli ja muovien sahaamiseen.

Työkappaleita, joiden halkaisija on pyöreä tai epäsäännöllinen (esim. polttopuita), ei saa sahata, koska niitä ei voida pitää tukevasti paikallaan sahaamisen aikana. Sahattaessa laakeita työkappaleita pystyasennossa tulee käyttää sopivaa tukivastetta niiden turvallista kuljettamista varten.

JÄÄMÄRISKIT

Vaikka tuotetta käytetäänkin määräysten mukaisesti, niin jäämä-riskejä ei voida välttää täysin. Käytössä saattaa esiintyä seuraavia riskejä, ja siksi käyttäjän tulee muistaa seuraavat asiat:

- Kuulovammojen välttämiseksi tulee rajoittaa altistamisaikaa ja käyttää sopivia kuulosuojuksia.
- Käyttäjän tulee ryhtyä sopiviin toimenpiteisiin närinän vaiku-tusten vähentämiseksi ja rajoittaa altistamisaikaa.
- Sahauspölyn sisäänhengittämisestä mahdollisesti aiheutuvien terveydellisten haittojen välttämiseksi tulee käyttää suojaanamarja.

VERKKOLIITÄNTÄ

Yhdistä ainoastaan yksivaiheiseen vaihtovirtaan, jonka verkko-jännite on sama kuin tyyppikilvessä ilmoitettu. Myös liittäminen maadoittamattomiin pistorasioihin on mahdollista, sillä rakenne vastaa turvallisuusluokkaa II.

Ulkokäytössä olevat pistorasiat on varustettava vikavirta-suo-jakytkimillä (FI, RCD PRCD) sähkölaitteestosi asennusmääräyksen mukaisesti. Muista tarkistaa, että laite liitetään ulkokäytössä ulkopistorasiaan ja neuvottele asiasta sähköasentajasi kanssa.

Varmista, että kone on sammutettu ennen kytkemistä sähköverkkoon.

Pidä sähköjohto poissa koneen käyttöalueelta. Siirrä se aina taakseen.

Tarkista ennen jokaista käyttökertaa, ettei laitteessa, liitäntä-johdossa, jatkojohdossa ja pistotulpassa ole vaurioita eikä niissä ole tapahtunut muutoksia. Viallisia osia saa korjata vain alan ammattilainen.

Virtapiikki aiheuttaa jännitteen heilahtelua ja voi vaikuttaa muihin samaan syöttöverkkoon kytkettyihin tuotteisiin. Minimoidaksesi jänniteheilahtelun kytke tuote pistorasiaan, jonka impedanssi on 0,3 Ω.

Lisätietoja saa sähkötyhtiöltä.

HUOLTO

Irrota aina pistotulppa seinäkoskettimesta ennen koneeseen tehtäviä toimenpiteitä.

Jos sähkötyökalun verkkoliitäntäjohto on vahingoittunut, se täytyy korvata erityisvalmisteisella verkkoliitäntäjohdolla, joka on saatavana teknisen asiakaspalvelun kautta.

Muista irrottaa laite virtalähteestä, ennen kuin kiinnität tai irrotat sahanterän.

Vaihda loppuun kulunut pöydän sisäke uuteen.

Puhdista laite ja suojavarusteet kuivalla liinalla.

Pidä moottorin ilmanottoaukot puhtaina.

Käytä vain AEG:n lisälaitteita ja varaosia. Käytä ammattitai-toisten AEG-huoltosopimusliikkeiden palveluja muiden kuin käyttöohjeessa kuvattujen osien vaihdossa. (esite takuu/ huoltoliikeluettelo).

Tarpeen vaatiessa voit pyytää lähettämään laitteen kokoonpa-nopuירrustuksen ilmoittamalla arvokilven numeron seuraavasta osoitteesta: Techtronic Industries GmbH, Max-Eyth-Str. 10, 71364 Winnenden, Germany.

TODISTUS CE-STANDARDIN MUKAISUUDESTA

Vakuutamme täten olevamme yksin vastuussa siitä, että kohdassa "Tekniset tiedot" kuvattu tuote vastaa kaikkia direktiivien merki-tyksellisiä säädöksiä

2011/65/EU (RoHS)

2006/42/EY

2014/30/EU

ja seuraavia yhdenmukaistettuja standardeja on käytetty.

EN 61029-1:2009 + A1:2010

EN 61029-2-9:2012 + A1:2013

EN 55014-1:2006+A1:2009+A2:2011

EN 55014-2:1997 + A1:2001 + A2:2008

EN 61000-3-2:2014

EN 61000-3-11:2000

EN 50581:2012



Winnenden, 2016-03-25



Alexander Krug / Managing Director
Valtuutettu kokoamaan tekniset dokumentit.

Techtronic Industries GmbH
Max-Eyth-Straße 10, 71364 Winnenden, Germany

SYMBOLIT



HUOMIO! VAROITUS! VAARA!



Irrota aina pistotulppa seinäkoskettimesta ennen koneeseen tehtäviä toimempiteitä.



Lue käyttöohjeet huolellisesti, ennen koneen käynnistämistä.



Käytä laitteella työskennellessäsi aina suojalaseja.



Käytä kuulosuojaimia!



Käytä suojakäsineitä!



Älä koskaan vie käsiäsi sahanterän alueelle.



Työkalu käytettävä sisätiloissa. Suojeltava sateelta.



Älä katso lasersäteeseen



Tuote vastaa laserluokkaa 2 standardin EN 60825-1:2007 mukaan.



Sähkölaitteita ei saa hävittää yhdessä kotitalousjätteiden kanssa. Sähkö- ja elektroniset laitteet tulee kerätä erikseen ja toimittaa kierrätysliikkeeseen ympäristöystävällistä hävittämistä varten. Pyydä paikallisilta viranomaisilta tai alan kauppiaaltasi tarkemmat tiedot kierrätyspisteistä ja keräyspaikoista.



Suojaluokan II sähkötyökalu. Sähkötyökalu, jonka sähköiskunsuojaus ei ole riippuvainen ainoastaan peruseristyksestä, vaan myös siitä, että käytetään lisäturvatoimia, kuten kaksinkertaista eristystä tai vahvistettua eristystä.

Laitteessa ei ole suojajohtimen liittämiseen tarvittavia varusteita.



CE-merkki



UkrSEPRO -vaatimustenmukaisuusmerkki.



EurAsian-vaatimustenmukaisuusmerkki.

ΤΕΧΝΙΚΑ ΣΤΟΙΧΕΙΑ ΣΤΑΘΕΡΟ ΔΙΣΚΟΠΡΙΟΝΟ *	PS 216 L	PS 254 L
Αριθμός παραγωγής	4522 03 02... 4522 06 02... ... 000001-999999	4522 09 02... 4522 12 02... ... 000001-999999
Όνομαστική ισχύς	220-240 V, 50 HZ, S6(40%), 1500 W, 6,5 A	220-240 V, 50 HZ, S6(40%), 2000 W, 8,3 A
Αριθμός στροφών χωρίς φορτίο	5000 min ⁻¹	4500 min ⁻¹
Διάμετρος λεπίδας πριονιού x διάμετρος διάτρησης	216 x 30 mm	254 x 30 mm
Πάχος πριονοδίσκου	1,6 mm	1,8 mm
Μέγιστη ισχύς κοπής Φαλτογωνία 0°/ Κλίση 0° Φαλτογωνία 45°/ Κλίση 0° Φαλτογωνία 0°/ Κλίση 45° Φαλτογωνία 45°/ Κλίση 45°	65 x 305 mm 65 x 215 mm 36 x 305 mm 36 x 215 mm	90 x 305 mm 90 x 215 mm 50 x 305 mm 50x 215 mm
Ελάχιστες διαστάσεις του ακατέργαστου υλικού	130 x 35 x 2,5 mm	130 x 35 x 2,5 mm
Βάρος σύμφωνα με τη διαδικασία ΕΡΤΑ 01/2003	16,7 kg	19,6 kg
Πληροφορίες θορύβου Τιμές μέτρησης εξακριβωμένες κατά EN 61029-2-9:2009. Η σύφωνα με την καμπύλη A εκτιμηθείσα στάθμη θορύβου του μηχανήματος αναφέρεται σε:		
Στάθμη ηχητικής πίεσης (Ανασφάλεια K=3dB(A))	99,2 dB (A)	96,7 dB (A)
Στάθμη ηχητικής ισχύος (Ανασφάλεια K=3dB(A))	112,2 dB (A)	109,7 dB (A)
Φοράτε προστασία ακοής (ωτασπίδες)!		
Πληροφορίες δονήσεων Υλικές τιμές κραδασμών (άθροισμα διανυσμάτων τριών διευθύνσεων) εξακριβώθηκαν σύμφωνα με τα πρότυπα EN 61029-2-9:2009.		
Πριόνισμα ξύλων: Τιμή εκπομπής δονήσεων a _n	3,5 m/s ²	2,133 m/s ²
Ανασφάλεια K=	1,5 m/s ²	1,5 m/s ²

¹ PS ≙ ΣΤΑΘΕΡΟ ΔΙΣΚΟΠΡΙΟΝΟ

² Το S6-40% δείχνει ένα προφίλ φορτίου, φόρτισης 4 λεπτών και χρόνου αδράνειας 6 λεπτών

ΠΡΟΕΙΔΟΠΟΙΗΣΗ!

Το αναφερόμενο σ' αυτές τις οδηγίες επίπεδο δονήσεων έχει μετρηθεί με μια τυποποιημένη σύμφωνα με το EN 61029 μέθοδο μέτρησης και μπορεί να χρησιμοποιηθεί για τη σύγκριση των ηλεκτρικών εργαλείων μεταξύ τους. Αυτό είναι επίσης κατάλληλο για μια προσωρινή εκτίμηση της επιβάρυνσης των δονήσεων.

Το αναφερόμενο επίπεδο δονήσεων αντιπροσωπεύει τις κύριες χρήσεις του ηλεκτρικού εργαλείου. Εάν όμως το ηλεκτρικό χρησιμοποιείται σε άλλες χρήσεις, με διαφορετικά εργαλεία εφαρμογής ή ανεπαρκή συντήρηση, μπορεί να υπάρξει απόκλιση του επιπέδου δονήσεων. Αυτό μπορεί να αυξήσει σημαντικά την επιβάρυνση των δονήσεων για τη συνολική διάρκεια της εργασίας

Για μια ακριβή εκτίμηση της επιβάρυνσης των δονήσεων οφείλουν επίσης να λαμβάνονται υπόψη οι χρόνοι, στους οποίους η συσκευή είναι απενεργοποιημένη ή είναι μεν ενεργοποιημένη αλλά δεν χρησιμοποιείται πραγματικά. Αυτό μπορεί να μειώσει σημαντικά την επιβάρυνση των δονήσεων για τη συνολική διάρκεια της εργασίας.

Καθορίζετε πρόσθετα μέτρα ασφαλείας για την προστασία του χειριστή από την επίδραση των δονήσεων όπως για παράδειγμα: Συντήρηση του ηλεκτρικού εργαλείου και των εργαλείων εφαρμογής, διατηρείτε ζεστά τα χέρια, οργάνωση των διαδικασιών εργασίας.

ΠΡΟΕΙΔΟΠΟΙΗΣΗ!

Διαβάστε όλες τις Υποδείξεις ασφαλείας και τις Οδηγίες.

Αμελείες κατά την τήρηση των προειδοποιητικών υποδείξεων μπορεί να προκαλέσουν ηλεκτροπληξία, κίνδυνο πυρκαγιάς ή/και σοβαρούς τραυματισμούς.

Φοράτε όλες τις προειδοποιητικές υποδείξεις και οδηγίες για κάθε μελλοντική χρήση.

ΥΠΟΔΕΙΞΕΙΣ ΑΣΦΑΛΕΙΑΣ ΓΙΑ ΤΟ ΣΤΑΘΕΡΟ ΔΙΣΚΟΠΡΙΟΝΟ

Φοράτε ωτασπίδες. Η επίδραση του θορύβου μπορεί να προκαλέσει απώλεια ακοής.

Στις εργασίες με τη μηχανή φοράτε πάντοτε προστατευτικά γυαλιά. Συνιστάται να προστατευτικά γάντια, τα σταθερά και αντιολισθητικά παπούδια.

Η δημιουργούμενη κατά την εργασία σκόνη είναι συχνά επιβλαβής για την υγεία και δεν πρέπει να έρχεται σε επαφή με το σώμα. Χρησιμοποιείτε μια διάταξη αναρρόφησης της σκόνης και φοράτε επιπλέον μια κατάλληλη προσωπίδα προστασίας από τη σκόνη. Απομακρύνετε επιμελώς τη μαζεμένη σκόνη, π.χ. με αναρρόφηση.

Να φοράτε προστατευτικά γάντια!

Πριν την χρήση της συσκευής για πρώτη φορά συνιστάται να διαβάσετε προσεκτικά τις οδηγίες χρήσης και να ζητήσετε να σας περιγράψουν τον χειρισμό της συσκευής.

Να σιγουρεύεστε πως η μηχανή είναι σταθερή (π.χ. στερέωση στον πάγκο εργασίας).

Το δάπεδο να διατηρείται ελεύθερο από κατάλοιπα υλικών, π.χ. ροκανίδια κλπ.

Μη χρησιμοποιείτε ελαττωματικές ή στρεβλωμένες πριονολάμες.



EL

Οι λεπίδες πριονιού, που δεν αντιστοιχούν με τα χαρακτηριστικά στοιχεία σε αυτές τις οδηγίες χρήσης, δεν επιτρέπεται να χρησιμοποιηθούν.

Επιτρέπεται να χρησιμοποιούνται μόνο εξαρτήματα, που ανταποκρίνονται στο πρότυπο EN 847-1.

Δεν χρησιμοποιείτε πριονοδίσκους κατασκευασμένους από ταχυάλυβα.

Χρησιμοποιείτε μόνο κανονικά ακονισμένους πριονοδίσκους.

Επιλέγεται ένα κατάλληλο πριονοδίσκο για το υλικό που θέλετε να κόψετε.

Πρέπει να τηρείται ο αναφερόμενος επάνω στον πριονοδίσκο μέγιστος αριθμός στροφών.

Τα εργαλεία πρέπει να μεταφέρονται και να φυλάγονται σε ένα κατάλληλο δοχείο

Χρησιμοποιείτε μόνο τις επιμερεχόμενες και τις απεικονιζόμενες στις οδηγίες χειρισμού φλάντζες για τη στερέωση του πριονοδίσκου.

Δεν χρησιμοποιείτε το φάλτσοπρίονο για την κοπή διαφορετικών υλικών, από αυτά που αναφέρονται στις οδηγίες χειρισμού.

Να χρησιμοποιείτε το φάλτσοπρίονο μόνο με καλά λειτουργούν και καλά συντηρημένο προστατευτικό κάλυμμα. Το προστατευτικό κάλυμμα πρέπει να πηγαίνει αυτόματα προς τα πίσω.

Κατά την εκτέλεση οδηγούμενης κοπής ξύλου, κοπής ξύλου υπό γωνία και σύνθετες οδηγούμενες κοπές ξύλου, ρυθμίστε το συρόμενο φράχτη για να εξασφαλιστεί η σωστή απόσταση από τη λεπίδα.

Μην απομακρύνετε υπολείμματα πριονίσματος ή άλλα τμήματα του κατεργασθέντος αντικείμενου από την περιοχή πριονίσματος όταν λειτουργεί η μηχανή και δεν έχει ακινητοποιηθεί η κεφαλή του πριονιού.

Μην απλώνετε τα χέρια σας στην επικίνδυνη περιοχή της μηχανής όταν είναι σε λειτουργία.

Χρησιμοποιείτε οπωσδήποτε τη διάταξη προστασίας της μηχανής.

Σφάλματα στη μηχανή, συμπεριλαμβανομένης της προστατευτικής διάταξης ή των πριονοδίσκων, πρέπει μόλις αυτά γίνουν αντιληπτά, να δηλωθούν στον υπεύθυνο ασφαλείας.

Το κινητό προστατευτικό κάλυμμα δεν επιτρέπεται να ασφαλιστεί στην ανοιχτή κατάσταση.

Τεμάχια κατεργασίας μεγάλου μήκους πρέπει να στηρίζονται κατάλληλα.

Μην αντικαταστήτε τη λυχνία LED με λυχνία άλλου τύπου.

Εκτελείτε τη μεταφορά του φάλτσοπριονιού μόνο με τοποθετημένη την ασφάλεια μεταφοράς στη χειρολαβή.

Συνδέστε το πρίονο σε συσκευή απορρόφησης σκόνης όταν πριονίζετε ξύλο.

Μη χρησιμοποιείτε τον μηχανισμό απορρόφησης σκόνης της συσκευής σαν ηλεκτρική σκούπα, για να απορροφήσετε π.χ. σκληρά κομμάτια ή καρφιά. Κάτι τέτοιο θα προκαλούσε βλάβη στον μηχανισμό.

ΛΕΙΖΕΡ

Μην κοιτάζετε στην έξοδο της ακτίνας λέιζερ και μην κατευθύνετε επάνω σε άλλα άτομα.

Μην κοιτάζετε στην έξοδο της ακτίνας λέιζερ με οπτικά βοηθητικά όργανα (κιάλια, τηλεσκόπιο).

Μην κατευθύνετε την ακτίνα λέιζερ επάνω σε αντανακλαστικές επιφάνειες.

Μην εκτίθεστε στην ακτινοβολία λέιζερ. Το λέιζερ μπορεί να εκπέμπει ισχυρή ακτινοβολία.

Μην αντικαταστήσετε τ εσωματωμέν λέιζερ με ένα άλλ λέιζερ διαφορετικού τύπου.

Επισκευές επιτρέπεται να πραγματοποιηθούν μόνο από εξουσιοδοτημένους τεχνικούς της Εξυπηρέτησης Πελατών.

ΧΡΗΣΗ ΣΥΜΦΩΝΑ ΜΕ ΤΟ ΣΚΟΠΟ ΠΡΟΟΡΙΣΜΟΥ

Το φάλτσοπρίονο προορίζεται για ξύλα μασσίφ, για κολλημένα ξύλα, για υλικά παρόμοια με ξύλο, κορνίζες αλουμινίου, μη σιδηρούχα μέταλλα και για πλαστικά.

Δεν επιτρέπεται το κόψιμο αντικειμένων με στρογγυλή ή όχι ομοιόμορφη διατομή (π.χ. καουτσούλα), διότι δεν συγκρατούνται καλά κατά το πριόνισμα. Όταν κοβείτε όρθια αντικείμενα που είναι σχετικά λεπτά, να υπάρχει βοηθητικός οδηγός για ασφαλή καθοδήγηση.

ΛΟΙΠΟΙ ΚΙΝΔΥΝΟΙ

Ακόμα και σε περίπτωση ορθής χρήσης του προϊόντος δεν μπορούν να αποκλειστούν λοιποί κίνδυνοι. Κατά τη χρήση μπορούν να παρουσιαστούν οι ακόλουθοι κίνδυνοι, για αυτόν τον λόγο ο χειριστής πρέπει να προσέξει τα παρακάτω:

- Για να αποφευχθεί βλάβη της ακοής πρέπει να περιοριστεί ο χρόνος έκθεσης και να χρησιμοποιούνται προστατευτικά μέσα της ακοής.
- Ο χειριστής πρέπει να λαμβάνει μέτρα για τη μείωση των κραδασμών και τον περιορισμό του χρόνου έκθεσης.
- Για τη μείωση των κινδύνων υγείας που μπορούν να προκύψουν από την εισπνοή πριονιδίων πρέπει να χρησιμοποιείται προστατευτική μάσκα αναπνοής.

ΣΥΝΔΕΣΗ ΣΤΟ ΗΛΕΚΤΡΙΚΟ ΔΙΚΤΥΟ

Συνδέστε μόνο σε μονοφασικό εναλλασσόμενο ρεύμα και μόνο σε τάση δικτύου όπως αναφέρεται στην πινακίδα τεχνικών χαρακτηριστικών. Η σύνδεση είναι επίσης εφικτή σε πρίζες χωρίς προστασία επαφής, διότι έχει προβλεφθεί εξοπλισμός κατηγορίας προστασίας II.

Οι πρίζες στους εξωτερικούς χώρους πρέπει να είναι εξοπλισμένες με μικροαυτόματους διακόπτες προστασίας (FI, RCD, PRCD). Αυτό απαιτεί ο σχετικός κανονισμός από την ηλεκτρική σας εγκατάσταση. Προσέξτε παρακαλώ αυτό το σημείο κατά τη χρήση της συσκευής μας.

Συνδέστε τη μηχανή στην πρίζα μόνο αν ο διακόπτης είναι στη θέση απενεργοποίησης.

Κρατάτε το καλώδιο σύνδεσης πάντοτε μακριά από την περιοχή δράσης της μηχανής. Περνάτε το καλώδιο πάντοτε πίσω από τη μηχανή.

Πριν από κάθε χρήση ελέγχετε τη συσκευή, το καλώδιο σύνδεσης, το καλώδιο επέκτασης (μπαλαντζέα), το πακέτο των μπαταριών και το φιν για τυχόν ζημιά και γήρανση. Αναθέστε την επισκευή των κατεστραμμένων εξαρτημάτων μόνο σ' έναν ειδικευμένο τεχνίτη.

Τα υπερρεύματα προκαλούν διακυμάνσεις στην τάση και μπορεί να επηρεάζουν άλλα ηλεκτρικά προϊόντα στην ίδια γραμμή. Συνδέστε το προϊόν σε παροχή ρεύματος με σύνθετη αντίσταση 0,3 Ω για να ελαχιστοποιηθούν οι διακυμάνσεις τάσης.

Επικοινωνήστε με την εταιρεία παροχής ηλεκτρικού ρεύματος για περισσότερες διευκρινίσεις.

ΣΥΝΤΗΡΗΣΗ

Πριν από κάθε εργασία στη μηχανή τραβάτε το φιν από την πρίζα.

Αν το καλώδιο παροχής ρεύματος της συσκευής έχει υποστεί ζημιά πρέπει να αντικατασταθεί από ένα ειδικά για αυτόν τον σκοπό προετοιμασμένο καλώδιο το οποίο μπορείτε να προμηθευτείτε από την εξυπηρέτηση πελατών.

Αποσυνδέετε το εργαλείο από το ρεύμα πριν τοποθετήσετε ή αφαιρέσετε την λεπίδα κόπτη.

Να αντικαθίσταται το φθαρμένο ένθετο του πάγκου.

Καθαρίζετε την συσκευή και τον εξοπλισμό προστασίας με ένα στεγνό πανί.

Διατηρείτε πάντοτε τις σχισμές εξαερισμού της μηχανής καθαρές.

Χρησιμοποιείτε μόνο εξαρτήματα και ανταλλακτικά της AEG. Αναθέστε την αλλαγή των εξαρτημάτων, των οποίων η αντικατάσταση δεν έχει περιγραφεί, σ' ένα κέντρο σέρβις της AEG (προσέξτε το εγχειρίδιο Εγγύηση/Διευθύνσεις εξυπηρέτησης πελατών).

Όταν χρειάζεται, μπορείτε να ζητήσετε ένα σχέδιο συναρμολόγησης της συσκευής, δίνοντας τον τύπο της μηχανής και αριθμό στην πινακίδα ισχύος, από το κέντρο σέρβις ή απευθείας από τη φίρμα Techtronic Industries GmbH, Max-Eyth-Strabe 10, 71364 Winnenden, Germany.

ΔΗΛΩΣΗ ΠΙΣΤΟΤΗΤΑΣ ΕΚ

Δηλώνουμε με αποκλειστική μας ευθύνη, ότι το προϊόν που περιγράφεται στα «Τεχνικά Χαρακτηριστικά» συμμορφώνεται με όλες τις σχετικές διατάξεις των οδηγιών

2011/65/EU (RoHS)

2006/42/EK

2014/30/EU

και έχουν εφαρμοστεί τα ακόλουθα εναρμονισμένα πρότυπα 0

EN 61029-1:2009 + A11:2010

EN 61029-2-9:2012 + A11:2013

EN 55014-1:2006+A1:2009+A2:2011

EN 55014-2:1997 + A1:2001 + A2:2008

EN 61000-3-2:2014

EN 61000-3-11:2000

EN 50581:2012



Winnenden, 2016-03-25

Alexander Krug / Managing Director
Εξουσιοδοτημένος να συντάξει τον τεχνικό φάκελο.

Techtronic Industries GmbH
Max-Eyth-Strabe 10, 71364 Winnenden, Germany

ΣΥΜΒΟΛΑ



ΠΡΟΣΟΧΗ! ΠΡΟΕΙΔΟΠΟΙΗΣΗ! ΚΙΝΔΥΝΟΣ!



Πριν από κάθε εργασία στη μηχανή τραβάτε το φως από την πρίζα.



Παρακαλώ διαβάστε σχολαστικά τις οδηγίες χρήσης πριν από την έναρξη λειτουργίας.



Στις εργασίες με τη μηχανή φοράτε πάντοτε προστατευτικά γυαλιά.



Φοράτε προστασία ακοής (ωτασπίδες)!



Να φοράτε προστατευτικά γάντια!



Ποτέ μη βάζετε τα χέρια σας στην περιοχή της προιονολάμας.



Η συσκευή είναι κατάλληλη για χρήση μόνο σε εσωτερικούς χώρους, μην εκθέσετε τη συσκευή στη βροχή.



Μην κοιτάζετε στην έξοδο της ακτίνας λέιζερ



Το προϊόν πληροί την κατηγορία λέιζερ 2 σύμφωνα με το EN 60825-1:2007.



Ηλεκτρικά μηχανήματα δεν επιτρέπεται να απορρίπτονται μαζί με τα οικιακά απορρίμματα. Ηλεκτρικά και ηλεκτρονικά μηχανήματα συλλέγονται ξεχωριστά και παραδίδονται προς ανακύκλωση με τρόπο φιλικό προς το περιβάλλον σε επιχείρηση επεξεργασίας απορριμμάτων. Ενημερωθείτε από τις τοπικές υπηρεσίες ή από ειδικευμένους εμπόρους σχετικά με κέντρα ανακύκλωσης και συλλογής απορριμμάτων.



Ηλεκτρικό εργαλείο κατηγορίας ασφάλειας II. Ηλεκτρικό εργαλείο στο οποίο η προστασία από ηλεκτροπληξία δεν εξαρτάται μόνο από την βασική μόνωση αλλά και από συμπληρωματικά μέτρα ασφάλειας όπως διπλή ή ενισχυμένη μόνωση.

Δεν υπάρχει εξοπλισμός για να συνδεθεί με την γείωση.



Σήμα συμμόρφωσης CE



UkrSEPRO σήμα πιστότητας.



EurAsian σήμα πιστότητας.



Ελληνικά

TEKNİK VERİLER	PS 216 L	PS 254 L
Çekme kapaklı ve çapraz testere *		
Üretim numarası	4522 03 02... 4522 06 02... ... 000001-999999	4522 09 02... 4522 12 02... ... 000001-999999
Giriş gücü	220-240 V, 50 HZ, S6(40%), 1500 W, 6,5 A	220-240 V, 50 HZ, S6(40%), 2000 W, 8,3 A
Boştaki devir sayısı	5000 min ⁻¹	4500 min ⁻¹
Testere bıçağı çapı x delik çapı	216 x 30 mm	254 x 30 mm
Bıçkı levhası kalınlığı	1,6 mm	1,8 mm
Maksimum kesim performansı		
Gönye 0°/ Eğim 0°	65 x 305 mm	90 x 305 mm
Gönye 45°/ Eğim 0°	65 x 215 mm	90 x 215 mm
Gönye 0°/ Eğim 45°	36 x 305 mm	50 x 305 mm
Gönye 45°/ Eğim 45°	36 x 215 mm	50 x 215 mm
Minimum iş parçası boyutu	130 x 35 x 2,5 mm	130 x 35 x 2,5 mm
Ağırlığı ise EPTA-üretici 01/2003'e göre	16,7 kg	19,6 kg
Gürültü bilgileri		
Ölçüm değerleri EN 61029 e göre belirlenmektedir. Aletin, frekansa bağımlı uluslararası ses basıncı seviyesi değerlendirme eğrisi A'ya göre tipik gürültü seviyesi:		
Ses basıncı seviyesi (Tolerans K=3dB(A))	99,2 dB (A)	96,7 dB (A)
Akustik kapasite seviyesi (Tolerans K=3dB(A))	112,2 dB (A)	109,7 dB (A)
Koruyucu kulaklık kullanın!		
Vibrasyon bilgileri		
Toplam titreşim değeri (üç yönün vektör toplamı) EN 61029'e göre belirlenmektedir:		
Ağaç yontma: titreşim emisyon değeri a _h	3,5 m/s ²	2,133 m/s ²
Tolerans K=	1,5 m/s ²	1,5 m/s ²

¹ PS \cong Çekme kapaklı ve çapraz testere

² S6-40%, 4 dk. yük ile 6 dk. boşta kalma zamanına sahip yük profilini gösterir.

UYARI!

Bu talimatlarda belirtilen titreşim seviyesi, EN 61029 standardına uygun bir ölçme metodu ile ölçülmüştür ve elektrikli el aletleri birbiriyle karşılaştırmak için kullanılabilir. Ölçüm sonuçları ayrıca titreşim yükünün geçici değerlendirmesi için de uygundur.

Belirtilen titreşim seviyesi, elektrikli el aletinin genel uygulamaları için geçerlidir. Ancak elektrikli el aleti başka uygulamalar için, farklı eklenti parçalarıyla ya da yetersiz bakım koşullarında kullanılırsa, titreşim seviyesi farklılık gösterebilir. Bu durumda, titreşim yükü toplam çalışma zaman aralığı içerisinde belirgin ölçüde yükselebilir.

Titreşim yükünün tam bir değerlendirilmesi için ayrıca cihazın kapalı olduğu süreler ve cihazın çalışır durumda olduğu, ancak gerçek kullanımda bulunmadığı süreler de dikkate alınmalıdır. Böylelikle, toplam çalışma zamanı aralığı boyunca meydana gelen titreşim yükü belirgin ölçüde azaltılabilir.

Kullanıcıyı titreşimlerin etkisinden korumak üzere, örneğin elektrikli el aletlerinin ve eklenti parçalarının bakımı, ellerin sıcak tutulması ve iş akışlarının organizasyonu gibi ek güvenlik tedbirleri belirleyiniz.

UYARI!

Güvenlikle ilgili bütün açıklamaları. Açıklanan uyarılara ve talimat hükümlerine uyulmadığı takdirde elektrik çarpmalarına, yangınlara ve/veya ağır yaralanmalara neden olunabilir.

Bütün uyarıları ve talimat hükümlerini ileride kullanmak üzere saklayın.

ÇEKME KAPAKLI VE ÇAPRAZ TESTERE İÇİN GÜVENLİK UYARILARI

Koruyucu kulaklık kullanın. Gürültü etkisi işitme kaybını etkiler. Aletle çalışırken daima koruyucu gözlük kullanın. Koruyucu iş eldivenleri, sağlam ve kaymaz ayakkabılar ve iş önlüğü kullanmanızı tavsiye ederiz.

Tahtalar uzun süre işlenirken veya sağlığa zararlı toz çıkaran malzemeler profesyonel olarak işlenirken alet uygun bir toz emme donanımına bağlanmak zorundadır. Profesyonel kullanıcılar diğer malzemelere ilişkin hükümleri yetkili meslek kuruluşu ile açıklığa kavuşturmak zorundadır.

Koruyucu eldivenlerinizi takınız!

Aleti ilk kez kullanıyorsanız, önce kullanım kılavuzunu dikkatle okumanızı ve deneyimli birinin gözetiminde biraz çalışmanızı öneririz.

Daima makinenin durduğu yerin güvenli olmasını sağlayın (örneğin bir banka tutturun)

Üzerinde malzeme artıkları bulunan zemini, örneğin talas ve testere atıkları, boş bulundurun.

Hasarlı veya şekli bozulmuş testere levhaları kullanmayın.

Tanıtım verileri bu kullanım kılavuzunda belirtilmemiş tertere bıçaklarını kullanmayın.

Yalnızca EN 847-1 normuna uygun takımların kullanılması gerekir.

Seri çalışma çeliğinden mamul bıçkı levhaları kullanmayın.

Sadece kullanılmasına uygun olan keskin bıçkı levhalarını kullanın.

Kesilecek malzeme için uygun bıçkı levhası seçin.

Türkçe

Bıçkı levhası üzerinde yazılı bulunan maksimum devir sayısı dikkate alınacaktır.

Takımların uygun bir kap içinde taşınması ve saklanması gerekir.

Bıçkı levhasını, ekte bulunan ve kullanma talimatında belirtilen flaşa tutturarak kullanın.

Başlıklı bıçkı makinesini, işletme talimatında belirtmeyen başka bir malzeme için kullanmayın.

Kapaklı testereyi sadece güvenli fonksiyonu bulunan ve bakımı iyi yapılmış koruyucu kask ile kullanın. Koruyucu kaskın kendiliğinden geriye doğru hareketli olması gerekir.

Gönye, eğri ya da bileşik gönye kesme sırasında doğru bıçak mesafesini sağlamak için sürgülü kılavuzu ayarlayın.

Makine çalışırken ve testere kafası sakın bir şekilde durmuyorken, testere artıklarını ve testere sahasının tezgâhlarındaki diğer parçaları kaldırmayın.

Aletin tehlikeli olabilecek bölümlerini tutmayın.

Aletin koruyucu donanımını mutlaka kullanın.

Emniyet tertibatı veya bıçkı levhaları da dahil olmak üzere makinede tespit edilen hatalar, emniyet önlemleri için sorumlu kişiyi bildirecektir.

Hareketli koruyucu kapağı açık pozisyonda sıkmayın.

Destekleme için uzun tezgah sopası uygundur.

LED lambasını başkasıyla değiştirmeyin.

Başlıklı bıçkı makinesini, sadece elle tutulacak yerindeki emniyetli ve nakil dayanıklı tertibat ile nakledin.

Ahşap keserken testereyi bir elektrikli süpürgeye bağlayın.

Bu cihazın toz emme sistemini, örn. sert iş parçacıklarını veya çiviler emdirmek için elektrikli süpürge olarak kullanmayın. Aksi halde emme düzeneği hasar görür.

LAZER

Lazer ışınlarına bakmayın ve diğer şahısların üzerine yöneltmeyin.

Yardımcı optik araç ve gereçlerle (dürbün, teleskop) lazere bakmayın.

Lazeri yansıtmaya meydan yüzeylerin üzerine tutmayın.

Lazer ışınlarına tutmayın. Lazer kuvvetli ışınlar gönderebilir.

Takılmış bulunan lazer ünitesini başka tip lazer ünitesi ile değiştirmeyin

Tamirler sadece yetkili servis teknisyenleri tarafından yapılabilir.

KULLANIM

Kapaklı testere masif ağaçların traşlanması için kullanılır, ahşap ve ahşap benzeri maddeleri, alüminyum profil, renkli metalde ve plastik maddeleri ufalar.

Yuvarlak veya düzenli olmayan enine kesitli malzemeler (örneğin yanıcı odunlar) testere ile kesilemez, zira bunlar testere ile kesilirken güvenli bir şekilde tutulamaz. Düz malzemelerin yüksek kenarları testere ile kesilirken güvenli bir şekilde sevk ve idare edilebilmeleri amacıyla uygun bir yardımcı vuruş kullanın.

KALAN TEHLİKELER

Ürün usulüne uygun kullanıldığında dâhil, kalan tehlikeler söz konusu olabilir. Kullanım sırasında aşağıda belirtilen riskler meydana gelebilir ve bu yüzden kullanıcının aşağıdaki hususlara dikkat etmesi gerekmektedir:

- İşitme zararlarını önlemek için maruz kalma süresi azaltılmalı ve uygun bir koruyucu kulaklık takılmalıdır
- Kullanıcı, titreşimlerin etkilerini ve maruz kalma süresini azaltmak için tedbirler almalıdır.
- Testere tozunun solunmasından dolayı oluşabilen sağlık risklerini önlemek için bir koruyucu solunum maskesi takılmalıdır.

ŞEBEKE BAĞLANTISI

Aleti sadece tek fazlı alternatif akıma ve tip etiketi üzerinde belirtilen şebeke gerilimine bağlayın. yapısı Koruma sınıfı II'ye girdiğinden alet koruyucu kontaklı prizde de bağlanabilir.

Açık havadaki prizler hatalı akım koruma şalteri (FI, RCD, PRCD) ile donatılmış olmalıdır. Bu, elektrik tesisatındaki bir zorunluluktur. Lütfen aletimizi kullanırken bu hususa dikkat edin.

Aleti sadece kapalı iken prize takın.

Bağlantı kablosunu aletten uzak tutun. Kablo daima aletin arkasında olmalıdır ve toplanmamalıdır.

Her kullanımdan önce alet, bağlantı kablosu, uzatma kablosu ve fişin hasarlı olup olmadığını ve eskiiyip eskimeğini kontrol edin. Hasarlı parçaları sadece uzmanına onartın.

Ani bir voltaj yükselmesi, voltaj dalgalanmalarına neden olur ve bu durum aynı güç hattındaki diğer elektronik ürünlere zarar verebilir. Voltaj dalgalanmalarını en aza indirmek için ürünü 0,3 Ω değerinde empedansa sahip bir güç kaynağına bağlayın.

Daha fazla bilgi almak için elektrik gücü tedarikçiniz ile iletişime geçin.

BAKIM

Aletin kendinde bir çalışma yapmadan önce fişi prizden çekin.

Elektrikli aletin elektrik kablosu hasarlıysa, müşteri hizmeti organizasyonu üzerinden temin edilebilen önceden özel olarak hazırlanmış bir elektrik kablosu ile değiştirilmesi gerekmektedir.

Testere bıçağını takmadan veya çıkarmadan önce aletin fişini güç kaynağından çektiğinizden emin olun.

Kullanılmış ve aşınmış tezgah desteğini yenisi ile değiştirin.

Cihazı ve koruyucu tertibatı kuru bir bezle temizleyiniz.

Aletin havalandırma aralıklarını daima temiz tutun.

Sadece AEG aksesuarını ve yedek parçalarını kullanın. Değiştirilmesi açıklanmamış olan parçaları bir AEG müşteri servisinde değiştirin (Garanti broşürüne ve müşteri servisi adreslerine dikkat edin).

Gerektiği takdirde aletin dağınık görünüş şeması, alet tipinin ve tip etiketi üzerindeki sayının bildirilmesi koşuluyla müşteri servisinde veya doğrudan Techtronik Industries GmbH, Max-Eyth-Strasse 10, 71364 Winnenden, Germany adresinden istenebilir.



Tür

CE UYGUNLUK BEYANI

"Teknik veriler" başlığı altında tanımlanan ürünün, sayılı direktiflerdeki tüm hükümleri

2011/65/EU (RoHS)

2006/42/EC

2014/30/EU

uyumlaştırılmış standartları 0

EN 61029-1:2009 + A11:2010

EN 61029-2-9:2012 + A11:2013

EN 55014-1:2006+A1:2009+A2:2011

EN 55014-2:1997 + A1:2001 + A2:2008

EN 61000-3-2:2014

EN 61000-3-11:2000

EN 50581:2012



Winnenden, 2016-03-25

Alexander Krug / Managing Director
Teknik evrakları hazırlamakta görevlendirilmiştir.

Techtronic Industries GmbH
Max-Eyth-Straße 10, 71364 Winnenden, Germany

SEMBOLLER



DİKKAT! UYARI! TEHLİKE!



Aletin kendinde bir çalışma yapmadan önce fişi prizden çekin.



Lütfen aleti çalıştırmadan önce kullanma kılavuzunu dikkatli biçimde okuyun.



Aletle çalışırken daima koruyucu gözlük kullanın.



Koruyucu kulaklık kullanın!



Koruyucu eldivenlerinizi takınız!



Elinizi hiçbir zaman testere levhasına doğru tutmayın.



Bu alet sadece kapalı mekânlarda kullanılmaya uygundur, yağmur altında bırakmayın



Lazer ışınına bakmayın.



Ürün, EN 60825-1:2007'e göre 2. lazer sınıfına uygundur.



Elektrikli cihazların evsel atıklarla birlikte bertaraf edilmesi yasaktır. Elektrikli ve elektronik cihazlar ayrılarak biriktirilmeli ve çevreye zarar vermeden bertaraf edilmeleri için bir atık değerlendirme tesisine götürülmelidirler. Yerel makamlara veya satıcınıza geri dönüşüm tesisleri ve atık toplama merkezlerinin yerlerini danışınız.



Koruma sınıfı II olan elektrikli aletler. Elektrik çarpmasına karşı korumanın sadece temel izolasyona bağlı olmayıp, aynı zamanda çift izolasyon veya takviyeli izolasyon gibi ek koruyucu önlemlerin alınmasına bağlı olan elektrikli alet.

Bir koruyucu iletken bağlamak için düzeneği bulunmamaktadır.



CE işareti



UKRSEPRO Uyumluluk işareti



EurAsian Uyumluluk işareti



TECHNICKÁ DATA Pokosové pily *	PS 216 L	PS 254 L
Výrobní číslo	4522 03 02... 4522 06 02... ... 000001-999999	4522 09 02... 4522 12 02... ... 000001-999999
Jmenovitý příkon	220-240 V, 50 Hz, S6(40%), 1500 W, 6,5 A	220-240 V, 50 Hz, S6(40%), 2000 W, 8,3 A
Volnoběžné otáčky	5000 min ⁻¹	4500 min ⁻¹
Pilový kotouč ø x díra ø	216 x 30 mm	254 x 30 mm
tloušťka pilového listu	1,6 mm	1,8 mm
Max. střížný výkon Pokos 0°/ Sklon 0° Pokos 45°/ Sklon 0° Pokos 0°/ Sklon 45° Pokos 45°/ Sklon 45°	65 x 305 mm 65 x 215 mm 36 x 305 mm 36 x 215 mm	90 x 305 mm 90 x 215 mm 50 x 305 mm 50 x 215 mm
Min. rozměry obrobku	130 x 35 x 2,5 mm	130 x 35 x 2,5 mm
Hmotnost podle prováděcího předpisu EPTA 01/2003	16,7 kg	19,6 kg
Informace o hluku Naměřené hodnoty odpovídají EN 61029-2-9:2009. V třídě A posuzovaná hladina hluku přístroje činí typicky: Hladina akustického tlaku (Kolísavost K=3dB(A)) Hladina akustického výkonu (Kolísavost K=3dB(A))	99,2 dB (A) 112,2 dB (A)	96,7 dB (A) 109,7 dB (A)
Používejte chrániče sluchu !		
Informace o vibracích Celkové hodnoty vibrací (vektorový součet tří směrů) zjištěné v souladu s EN 61029-2-9:2009. Řezání dřeva: Hodnota vibračních emisí a _h Kolísavost K=	3,5 m/s ² 1,5 m/s ²	2,133 m/s ² 1,5 m/s ²



¹ PS \triangleq Pokosové pily

² S6-40% označuje profil zatížení se 4 minutami zatížení a 6 minutami nečinnosti

VAROVÁNÍ!

Úroveň chvění uvedená v tomto návodu byla naměřena podle metody měření stanovené normou EN 61029 a může být použita pro porovnaní elektrického nářadí. Hodí se také pro průběžný odhad zatížení chvěním.

Uvedená úroveň chvění představuje hlavní účely použití elektrického nářadí. Jestliže se ale elektrické nářadí používá pro jiné účely, s odlišnými nástroji nebo s nedostatečnou údržbou, může se úroveň chvění odlišovat. To může značně zvýšit zatížení chvěním během celé pracovní doby.

Pro přesný odhad zatížení chvěním se musí také zohlednit časy, během kterých je přístroj vypnutý nebo kdy je sice v chodu, ale skutečně se s ním nepracuje. To může zatížení chvěním během celé pracovní doby značně snížit.

Stanovte doplňková bezpečnostní opatření pro ochranu obsluhy před účinky chvění jako například: technická údržba elektrického nářadí a nástrojů, udržování teploty rukou, organizace pracovních procesů.

VAROVÁNÍ!

Seznamte se se všemi bezpečnostními pokyny a sice i s pokyny. Zanedbání při dodržování varovných upozornění a pokynů mohou mít za následek úder elektrickým proudem, požár a ebo těžká poranění.

Všechna varovná upozornění a pokyny do budoucna uschovejte.

BEZPEČNOSTNÍ POKYNY PRO POKOSOVÉ PILY

Používejte chrániče sluchu. Nadměrný hluk může vést ke ztrátě sluchu.

Při práci se strojem neustále nosit ochranné brýle. Doporučuje se používat ochranné rukavice, pevnou protiskluzovou obuv a zástěru.

Prach vznikající při práci bývá zdraví škodlivý, a proto by se neměly vdechovat. Používejte odsávání prachu a navíc se chráňte vhodnou ochrannou maskou. Usazený prach dobře odstraňte, např. odsátím. Používejte ochranné rukavice!

Před prvním použitím stroje doporučujeme pečlivě pročíst návod k používání a seznámit se s praktickou obsluhou.

Zajistěte stabilní polohu stroje (například upevněním na pracovní stůl).

Udržujte čistotu a pravidelně zametejte piliny a odřezky.

Nepoužívejte poškozené nebo deformované pilové listy.

Pilové kotouče, které neodpovídají požadavkům podle tohoto návodu se nesmí používat.

Je povoleno používat jen nástroje, které splňují EN 847-1.

Nepoužívejte pilové listy vyrobené z rychlořezné oceli

Používejte vždy jen řádně naostřené pilové listy.

Vyberte pilový list vhodný k řezání vybraného materiálu

Dodržujte maximální počet otáček uvedený na pilovém listu.

Nářadí se musí přepravovat a přechovávat ve vhodné schránce.

K upevnění pilového listu použijte výhradně příruby zobrazené v návodu k obsluze.

Kapovací pilu nikdy nepoužívejte k řezání jiných než v návodu k obsluze uvedených materiálů.

Zkracovací pilu používejte jen s bezpečně fungujícím a dobře udržovaným ochranným příklonem. Ochranný příklon se musí samočinně vracet.

Při provádění pokosu, úkosu nebo složených pokosových řezů nastavte posuvnou tyč pro zajištění správné vzdálenosti od čepelí.

Neodstraňujte odřezky a jiné zbytky materiálu z řezného prostoru dokud pila běží a řezná hlava je v pohybu.

Nesahejte do nebezpečného prostoru běžícího stroje.

Bezpodmínečně používat ochranná zařízení přímočaré pily.

Závady na stroji, ochranném zařízení nebo pilových listech musí být ihned po zjištění nahlášeny osobě zodpovědné za bezpečnost.

Pohyblivé ochranné prvky se nesmí aretovat v otevřené pozici.

Dlouhé obrobky vhodným způsobem podepřete.

LED diodu nevyměňujte za jinou.

Kapovací pilu přepravujte vždy jen s aretovanou přepravní pojistkou v rukojeti.

Při řezání dřeva připojte pilu k vysavači.

Nepoužívejte odsávání prachu tohoto přístroje jako vysavač pro vysávání předmětů, jako jsou např. tvrdé části obrobků nebo hřebíky. Nasávací zařízení by se tím poškodilo.

LASER

Nedívejte se do laserové louče a nesměřujte tento na jiné osoby.

Nedívejte se do laseru optickými pomůckami (různými dalekohledy).

Laser nesměřujte na reflexní plochy.

Nevystavujte se laserovému záření. Laser může vysílat silné záření.

Nezaměňujte zabudovaný laser za laser jiného typu.

Opravy směřj vykonávat pouze technici z autorizovaných servisů.

OBLAST VYUŽITÍ

Zkracovací pila se používá k řezání masivního dřeva, klíženého dřeva, materiálu s podobnými vlastnostmi, hliníkových profilů, barevné kovy a plastu.

Řezivo s kruhovým nebo nepravidelným průřezem (např. palivové dříví) se nesmí řezat, protože je nelze bezpečně fixovat. Při řezání plochého materiálu na výšku se k bezpečnému vedení musí použít vhodná pomocná zarážka.

ZBÝVAJÍCÍ RIZIKA

Dokonce ani při řádném používání výrobku podle předpisů se nedají zcela vyloučit zbývající rizika. Při používání mohou vzniknout následující rizika, a proto by obsluha měla dodržovat následující pokyny:

- Aby se zabránilo poruchám sluchu, je třeba omezit dobu expozice a je nutné používat vhodnou ochranu sluchu.
- Obsluha by měla provést taková opatření, aby se zredukovaly důsledky vibrací a omezila se doba expozice.
- Je třeba nosit ochrannou respirační masku, aby se předešlo rizikům poškození zdraví, která mohou vzniknout vdechnutím prachu z řezání.

PŘIPOJENÍ NA SÍT

Připojit pouze do jednofázové střídavé sítě o napětí uvedeném na štítku. Lze připojit i do zásuvky bez ochranného kontaktu nebo spotřebič z třídy II.

Ve venkovním prostředí musí být zásuvky vybaveny proudovým chráničem (FI, RCD, PRCD). Je to vyžadováno instalačním předpisem pro toto el.zařízení. Dodržujte ho při používání tohoto nářadí, prosím.

Stroj zapínat do zásuvky pouze když je vypnutý.

Neustále dbát na to, aby byl kabel pro připojení k elektrické síti mimo dosah stroje. Kabel vést vždy směrem dozadu od stroje.

Před každým použitím nabíječky překontrolujte přívodní kabel, prodlužovací kabel a zástrčku zda nejsou poškozeny a nebo zestárlé. Poškozené díly nechte opravit odborníky.

Mohou ovlivnit ostatní elektrické přístroje na stejném napájecím okruhu. Připojte výrobek ke zdroji napájení s impedancí rovné 0,3 Ω pro minimalizaci napěťové fluktuaace.

Více informací vám poskytne váš dodavatel elektrické energie.

ÚDRŽBA

Před zahájením veškerých prací na stroji vytáhnout síťovou zástrčku ze zásuvky.

Pokud je připojovací kabel elektrického přístroje poškozený, musí být nahrazený speciálně upraveným připojovacím kabelem, který je možné získat prostřednictvím firmy poskytující servis pro zákazníky.

Ujistěte se, že jste pilu odpojily od zdroje napájení před montáží a demontáží pilového kotouče.

Vyměňte opotřebovanou stolní vložku.

Přístroj a ochranný kryt čistěte suchým hadříkem.

Větrací štěrbinu nářadí udržujeme stále čisté.

Používejte výhradně náhradní díly a příslušenství AEG. Díly, jejichž výměna nebyla popsána, nechte vyměnit v odborném servisu AEG. (Viz záruční list.)

Při potřebě podrobného rozkresu konstrukce, oslovte informací o typu a čísle přímo servis a nebo výrobce, Techtronic Industries GmbH, Max-Eyth-Straße 10, 71364 Winnenden, Germany.



CE-PROHLÁŠENÍ O SHODĚ

Prohlašujeme na naši výhradní odpovědnost, že produkt popsán v části „Technické údaje“ splňuje všechna příslušná ustanovení směrnic

2011/65/EU (RoHS)

2006/42/ES

2014/30/EU

a byly použity následující harmonizované normy 0

EN 61029-1:2009 + A11:2010

EN 61029-2-9:2012 + A11:2013

EN 55014-1:2006+A1:2009+A2:2011

EN 55014-2:1997 + A1:2001 + A2:2008

EN 61000-3-2:2014

EN 61000-3-11:2000

EN 50581:2012



Winnenden, 2016-03-25

Alexander Krug / Managing Director
Zplnomocněn k sestavování technických podkladů.

Techtronic Industries GmbH
Max-Eyth-Straße 10, 71364 Winnenden, Germany

SYMBOLY



POZOR! VAROVÁNÍ! NEBEZPEČÍ!



Před zahájením veškerých prací na stroji vytáhnout síťovou zástrčku ze zásuvky.



Před spuštěním stroje si pečlivě přečtěte návod k používání.



Při práci se strojem neustále nosit ochranné brýle.



Používejte chrániče sluchu!



Používejte ochranné rukavice!



Nikdy nedávejte ruce do prostoru pilového listu.



Zařízení lze používat jen ve vnitřních prostorách, nepoužívat v dešti.



Nedívejte se do laserového lóuče.



Produkt odpovídá laserové třídě 2 podle EN 60825-1:2007.



Elektrické přístroje se nesmí likvidovat společně s odpadem z domácností. Elektrické a elektronické přístroje je třeba sbírat odděleně a odevzdat je v recyklačním podniku na ekologickou likvidaci. Na místních úřadech nebo u vašeho specializovaného prodejce se informujte na recyklační podniky a sběrné dvory.



Elektrický přístroj s třídou ochrany II. Elektrický přístroj, u kterého ochrana před zásahem el. proudem závisí nejen na základní izolaci, ale i na tom, že budou použita také doplňková ochranná opatření, jakými jsou dvojitá izolace nebo zesílená izolace.

Neexistuje žádné zařízení pro připojení ochranného vodiče.



Značka CE



UkrSEPRO značka shody



Euroasijská značka shody



TECHNICKÉ ÚDAJE	PS 216 L	PS 254 L
Ťažná kapovacia píla *		
Výrobné číslo	4522 03 02... 4522 06 02... ... 000001-999999	4522 09 02... 4522 12 02... ... 000001-999999
Menovitý príkon	220-240 V, 50 Hz, S6(40%), 1500 W, 6,5 A	220-240 V, 50 Hz, S6(40%), 2000 W, 8,3 A
Otáčky naprázdno	5000 min ⁻¹	4500 min ⁻¹
Priemer pilového listu x priemer diery	216 x 30 mm	254 x 30 mm
hrúbka pilového listu	1,6 mm	1,8 mm
Max. strihový výkon		
Uhly zošíkmenia horizontálne 0°/ Naklon 0°	65 x 305 mm	90 x 305 mm
Uhly zošíkmenia horizontálne 45°/ Naklon 0°	65 x 215 mm	90 x 215 mm
Uhly zošíkmenia horizontálne 0°/ Naklon 45°	36 x 305 mm	50 x 305 mm
Uhly zošíkmenia horizontálne 45°/ Naklon 45°	36 x 215 mm	50 x 215 mm
Min. rozmery obrobku	130 x 35 x 2,5 mm	130 x 35 x 2,5 mm
Hmotnosť podľa vykonávacieho predpisu EPTA 01/2003	16,7 kg	19,6 kg
Informácia o hluku	Namerané hodnoty určené v súlade s EN 61029-2-9:2009. V triede A posudzovaná hladina hluku prístroja číni typicky:	
Hladina akustického tlaku (Kolísavosť K=3dB(A))	99,2 dB (A)	96,7 dB (A)
Hladina akustického výkonu (Kolísavosť K=3dB(A))	112,2 dB (A)	109,7 dB (A)
Používajte ochranu sluchu!		
Informácie o vibráciách	Celkové hodnoty vibrácií (vektorový súčet troch smerov) zistených zmysle EN 61029-2-9:2009.	
Rezanie dreva: Hodnota vibračných emisií a _h	3,5 m/s ²	2,133 m/s ²
Kolísavosť K=	1,5 m/s ²	1,5 m/s ²



¹ PS Δ Ťažná kapovacia píla

² S6-40% označuje profil zaťaženia so 4 min zaťaženia a 6 min nečinnosti

POZOR!

Úroveň vibrácií uvedená v týchto pokynoch bola nameraná meracou metódou, ktorú stanovuje norma EN 61029 a je možné ju použiť na vzájomné porovnanie elektrického náradia. Hodí sa aj na predbežné posúdenie kmitavého namáhania.

Uvedená úroveň vibrácií reprezentuje hlavné aplikácie elektrického náradia. Ak sa však elektrické náradie používa pre iné aplikácie, s odlišnými vloženími nástrojmi alebo s nedostatočnou údržbou, môže sa úroveň vibrácií líšiť. Toto môže kmitavé namáhanie v priebehu celej pracovnej doby podstatne zvýšiť.

Pre presný odhad kmitavého namáhania by sa mali tiež zohľadniť doby, v ktorých je náradie vypnuté alebo je síce v chode, ale v skutočnosti sa nepoužíva. Toto môže kmitavé namáhanie v priebehu celej pracovnej doby zreteľne redukovat'.

Stanovte dodatočné bezpečnostné opatrenia pre ochranu obsluhy pred účinkami vibrácií, ako napríklad: údržba elektrického náradia a vložených nástrojov, udržiavanie teploty rúk, organizácia pracovných postupov.

POZOR!

Zoznámte sa so všetkými bezpečnostnými pokynmi.

Zanedbanie dodržiavania Výstražných upozornení a pokynov uvedených v nasledujúcom texte môže mať za následok zásah elektrickým prúdom, spôsobíť požiar a/alebo ťažké poranenie.

Tieto Výstražné upozornenia a bezpečnostné pokyny starostlivo uschovajte na budúce použitie.

ŤAŽNÁ KAPOVACIA PÍLA ŤAŽNÁ KAPOVACIA PÍLA

Používajte ochranu sluchu. Nadmerný hluk môže viesť k strate sluchu.

Pri práci so strojom vždy noste ochranné okuliare. Odporúčame ochranné rukavice, pevnú protišmykovú obuv a zásteru.

Prach, ktorý vzniká pri práci je často zdraviu škodlivý a nemá by sa dostať do tela. používajte odsávac prachu a noste vhodnú masku proti prachu. Uskladnený prach dôkladne odstrániť, napr. vysať.

Používajte ochranné rukavice!

Pred prvým použitím prosím prečítať návod na použitie a nechať si predviesť ako sa narába s náradím

Zaistite stabilnú polohu stroja (napríklad upevnením na pracovný stôl).

Udržujte čistotu a pravidelne zametajte piliny a odrezky.

Nepoužívajte poškodené alebo deformované pilové listy.

Pilové listy, ktoré nezodpovedajú charakteristikám uvedeným v návode na použitie, nesmú sa použiť.

Je dovolené používať iba nástroje, ktoré zodpovedajú norme EN 847-1.

Nepoužívajte pilové listy, vyrobené z rýchloreznej ocele.

Používajte vždy iba riadne nabrúsené pilové listy.

Vyberte si pilový list vhodný na rezanie vybraného materiálu.

Dodržiavajte maximálny počet otáčok uvedený na pilovom liste.

Nástroje sa musia prepravovať a skladovať vo vhodnom obale;

Na upevnenie pilového listu používajte výhradne príruby zobrazené v návode na používanie.

Skracovacia pílu nikdy nepoužívajte na rezanie iných materiálov než aké sú uvedené v návode na obsluhu.

Skracovací pilu používajte len s bezpečne fungujúcim a dobre udrzovaným ochranným príklopom. Ochranný príklop sa musí samočinne vracáť.

Pri vykonávaní pokosu, úkosu alebo zložených pokosových rezov nastavte posuvné vodidlo, aby sa zabezpečila správna vzdialenosť od čepele.

Neodstraňujte odrezky a iné zvyšky materiálu z rezného priestoru, pokiaľ píla beží a rezná hlava je v pohybe.

Nesiahať do nebezpečnej oblasti bežiacieho stroja.

Ochranné zariadenie stroja bezpodmienečne používať

Základy na stroji, na ochrannom zariadení alebo na pilových listoch treba ihneď po zistení nahlásiť osobe zodpovednej za bezpečnosť.

Ochranný kryt nesmie byť fixovaný vo vychýlenom stave.

Dlhé obrobky vhodným spôsobom podprieť.

LED diódu nevymieňajte za inú.

Skracovací pilu prepravujte vždy len s aretovanou prepravňou poistkou na rukoväti.

Pri pílení dreva pripojte pilu k vysávaču.

Nepoužívajte odsávanie prachu tohto prístroja ako vysávač za účelom povysávania predmetov, akými sú napr. tvrdé časti obrobkov alebo klnice. Nasávacie zariadenie by sa tým poškodilo.

LASER

Nepozerajte sa do laserového lúča a nesmerujte tento na iné osoby.

Neďívajte sa do laseru cez optické pomôcky (rôzne ďalekohľady).

Laser nesmerujte na reflexné plochy.

Nevystavujte sa laserovému žiareniu. Laser môže vysielať silné žiarenie.

Zabudovaný laserový modul nikdy nezamieňajte za laserové zariadenie iného typu.

Opravy smú vykonávať len technici z autorizovaných servisov.

POUŽITIE PODĽA PREDPISOV

Skracovacia píla sa používa k rezaniu masívneho dreva, glejeného dreva, materiálu s podobnými vlastnosťami, hliníkové profily, neželezný kov a plastu.

Rezivo s kruhovým alebo nepravidelným prierezom (napr. palivové drevo) sa nesmie rezať, pretože ho nie je možné bezpečne fixovať. Pri rezaní plochého materiálu na výšku sa k bezpečnému vedeniu musí používať vhodná pomocná zarážka.

ZVÝŠKOVÉ RIZIKÁ

Dokonca ani pri riadnom používaní výrobku podľa predpisov sa nedajú úplne vylúčiť zvyškové riziká. Pri používaní môžu vzniknúť nasledujúce riziká, a preto by obsluha mala dodržiavať nasledovné pokyny:

- Aby sa zamedzilo poruchám sluchu, treba obmedziť dobu expozície a treba nosiť vhodnú ochranu sluchu.
- Obsluha by mala uskutočniť také opatrenia, aby sa zredukovali dôsledky vibrácií a obmedzila sa doba expozície.
- Treba nosiť ochrannú respiračnú masku, aby sa predišlo rizikám poškodenia zdravia, ktoré môžu vzniknúť vdýchnutím prachu z pílenia.

SIEŤOVÁ PRÍPOJKA

Pripájať len na jednofázový striedavý prúd a na sieťové napätie uvedené na štítku. Pripojenie je možné aj do zásuviek bez ochranného kontaktu, pretože ide o konštrukciu ochrannej triedy II.

Zásuvky vo vonkajšom prostredí musia byť vybavené ochranným spínačom proti prudovým nárazom (FI, RCD, PRCD). Toto je

inštalačný predpis na Vaše elektrické zariadenie. Venujte prosím tomuto pozornost pri používaní nášho prístroja.

Len vypnutý stroj pripájajte do zásuvky.

Pripojovací kábel držte mimo pracovnej oblasti stroja. Kábel smerujte vždy smerom dozadu od stroja.

Pred každým použitím skontrolovať prístroj, pripojovací kábel, akumulátor, predlžovací kábel a zástrčku či nedošlo k poškodeniu alebo zosťarnutiu. Poškodené časti nechať opraviť odborníkom.

Napájacia špička spôsobí fluktuácie napätia a môže mať vplyv na ostatné elektrické zariadenia na rovnakom elektrickom vedení. Produkt pripojte do elektrickej siete s impedanciou 0,3 Ω, minimalizujete tak fluktuácie napätia.

Blížšie vysvetlenie žiadajte od vášho dodávateľa elektrickej energie.

ÚDRZBA

Pred každou prácou na stroji vyťahnite zástrčku zo zásuvky.

Ak je prípojný kábel elektrického prístroja poškodený, tak musí byť nahradený špeciálne upraveným prípojným káblom, ktorý je možné získať prostredníctvom organizácie servisu pre zákazníkov.

Vždy odpojte nástroj od elektrickej siete pred montážou alebo demontážou ostria píly.

Vymeňte opotrebovanú stôlnu vložku.

Prístroj a ochranné zariadenie čistite suchou handričkou.

Vetracie otvory udržiavať stále v čistote.

Používať len AEG príslušenstvo a náhradné diely. Súčiastky bez návodu na výmenu treba dať vymeniť v jednom z AEG zákazníckych centier (viď brožúru Záruka/Adresy zákazníckych centier).

Pri udaní typu stroja a čísla nachádzajúceho sa na štítku dá sa v prípade potreby vyžiadať explozívna schéma prístroja od vášho zákazníckeho centra alebo priamo v Techtronic Industries GmbH, Max-Eyth-Straße 10, 71364 Winnenden, Germany.

CE - VYHLÁSENIE KONFORMITY

Na našu výhradnú zodpovednosť vyhlasujeme, že produkt popísaný v časti „Technické údaje“ spĺňa všetky príslušné ustanovenia smerníc

2011/65/EU (RoHS)

2006/42/ES

2014/30/EU

a boli použité nasledovné harmonizované normy 0

EN 61029-1:2009 + A11:2010

EN 61029-2-9:2012 + A11:2013

EN 55014-1:2006+A1:2009+A2:2011

EN 55014-2:1997 + A1:2001 + A2:2008

EN 61000-3-2:2014

EN 61000-3-11:2000

EN 50581:2012



Winnenden, 2016-03-25

Alexander Krug / Managing Director
Splnomocnený zostaviť technické podklady.

Techtronic Industries GmbH
Max-Eyth-Straße 10, 71364 Winnenden, Germany

Slovensky



SYMBOLY



POZOR! NEBEZPEČENSTVO!



Pred každou prácou na stroji vyťahnite zástrčku zo zásuvky.



Pred prvým použitím prístroja si pozorne prečítajte návod na obsluhu.



Pri práci so strojom vždy noste ochranné okuliare.



Používajte ochranu sluchu!



Používajte ochranné rukavice!



Nikdy nedávajte ruky do priestoru píloveho listu.



Prístroj je určený na použitie v krytých priestoroch, prístroj nevystavujte dažďu.



Nedívajte sa do laserového lúča.



Produkt zodpovedá laserovej triede 2 podľa EN 60825-1:2007.



Elektrické prístroje sa nesmú likvidovať spolu s odpadom z domácností. Elektrické a elektronické prístroje treba zbierať oddelene a odovzdať ich v recyklačnom podniku na ekologickú likvidáciu. Na miestnych úradoch alebo u vášho špecializovaného predajcu sa spýtajte na recyklačné podniky a zberné dvory.



Elektrický prístroj triedy ochrany II. Elektrický prístroj, pri ktorom ochrana pred zásahom el. prúdom závisí nie len od základnej izolácie, ale aj od toho, že budú použité aj doplnkové ochranné opatrenia, akými sú dvojitá izolácia alebo zosilnená izolácia.

Neexistuje žiadne zariadenie na pripojenie ochranného vodiča.



Značka CE



UkrSEPRO značka zhody

TR 066



Euroázijská značka zhody



DANE TECHNICZNE Ukośnica*	PS 216 L	PS 254 L
Numer produkcyjny	4522 03 02... 4522 06 02... ... 000001-999999	4522 09 02... 4522 12 02... ... 000001-999999
Znamionowa moc wyjściowa	220-240 V, 50 Hz, S6(40%), 1500 W, 6,5 A	220-240 V, 50 Hz, S6(40%), 2000 W, 8,3 A
Prędkość bez obciążenia	5000 min ⁻¹	4500 min ⁻¹
Średnica ostrza piły x średnica otworu	216 x 30 mm	254 x 30 mm
Grubość brzeszczotu	1,6 mm	1,8 mm
Maksymalna wydajność cięcia Ucios 0°/ Nachylenie 0° Ucios 45°/ Nachylenie 0° Ucios 0°/ Nachylenie 45° Ucios 45°/ Nachylenie 45°	65 x 305 mm 65 x 215 mm 36 x 305 mm 36 x 215 mm	90 x 305 mm 90 x 215 mm 50 x 305 mm 50 x 215 mm
Min. wymiary przedmiotu obrabianego	130 x 35 x 2,5 mm	130 x 35 x 2,5 mm
Ciężar wg procedury EPTA 01/2003	16,7 kg	19,6 kg
Informacja dotycząca szumów Zmierzone wartości wyznaczono zgodnie z normą EN 61029-2-9:2009. Poziom szumów urządzenia oszacowany jako A wynosi typowo: Poziom ciśnienia akustycznego (Niepewność K=3dB(A)) Poziom mocy akustycznej (Niepewność K=3dB(A))		
	99,2 dB (A) 112,2 dB (A)	96,7 dB (A) 109,7 dB (A)
Należy używać ochroniaczy uszu!		
Informacje dotyczące wibracji Wartości łączne drgań (suma wektorowa trzech kierunków) wyznaczone zgodnie z normą EN 61029		
Piłowanie drewna: Wartość emisji drgań a _h	3,5 m/s ²	2,133 m/s ²
Niepewność K=	1,5 m/s ²	1,5 m/s ²



Pol

¹ PS ≙ Ukośnica

² 56-40% wskazuje profil obciążenia wynoszący 4 min i czas jałowy 6 min.

OSTRZEŻENIE!

Podany w niniejszych instrukcjach poziom drgań został zmierzony za pomocą metody pomiarowej zgodnej z normą EN 61029 i może być użyty do porównania ze sobą elektronarzędzi. Nadaje się on również do tymczasowej oceny obciążenia wibracyjnego.

Podany poziom drgań reprezentuje główne zastosowania elektronarzędzia. Jeśli jednakże elektronarzędzie użyte zostanie do innych celów z innym narzędziami roboczymi lub nie jest dostatecznie konserwowane, wtedy poziom drgań może wykazywać odchylenia. Może to wyraźnie zwiększyć obciążenie wibracjami przez cały okres pracy.

Dla dokładnego określenia obciążenia wibracjami należy uwzględnić również czasy, w których urządzenie jest wyłączone względnie jest włączone, lecz w rzeczywistości nie pracuje. Może to spowodować wyraźną redukcję obciążenia wibracyjnego w całym okresie pracy.

Należy wprowadzić dodatkowe środki zapobiegawcze celem ochrony obsługującego przed oddziaływaniem drgań, jak na przykład: konserwacja narzędzi roboczych i elektronarzędzi, nagrzanie rąk, organizacja przebiegu pracy.

OSTRZEŻENIE!

Prosimy o przeczytanie wskazówek bezpieczeństwa i zaleceń, również tych. Błędy w przestrzeganiu poniższych wskazówek mogą spowodować porażenie prądem, pożar i/lub ciężkie obrażenia ciała.

Należy starannie przechowywać wszystkie przepisy i wskazówki bezpieczeństwa dla dalszego zastosowania.

WSKAZÓWKI BEZPIECZEŃSTWA DLA UKOŚNICA

Stosować środki ochrony słuchu! Hałas może powodować utratę słuchu.

Podczas pracy należy zawsze nosić okulary ochronne. Zalecane jest także noszenie rękawic, mocnego, nie ślizgającego się obuwia oraz ubrania roboczego.

Pył wydzielaający się podczas pracy z elektronarzędziem może być szkodliwy dla zdrowia i dlatego też nie powinien on mieć kontaktu z ciałem. Stosować układ pochłaniania pyłu i nosić odpowiednią maskę ochronną. Dokładnie usunąć nagromadzony pył np. przy pomocy odkurzacza.

Nosić rękawice ochronne!

Przed rozpoczęciem użytkowania elektronarzędzia należy przeczytać instrukcję obsługi. O ile to możliwe, należy poprosić o zademonstrowanie pracy narzędzia.

Upewnić się, czy maszyna jest zawsze pewnie osadzona (np. zamocowana na stole warsztatowym).

Usuwać resztki materiału z podłogi np. wióry i odcięte kawałki drewna.

Nie używać brzeszczotów/tarcz, które są zniekształcone lub uszkodzone.

Nie używać ostrej nie odpowiadających głównym parametrom podanym w instrukcji obsługi.

Wolno stosować wyłącznie narzędzia, które spełniają wymagania normy EN 847-1.

Nie używać brzeszczotów wykonanych ze stali szybkoobrotowej.

Stosować tylko prawidłowo wyostrzone brzeszczoty.

Polski

Brzeczszot należy dobrać odpowiednio do ciętego materiału. Należy zachowywać maksymalne obroty podane na brzeczszocie. Narzędzia muszą być transportowane i przechowywane w odpowiednim pojemniku;

Do mocowania brzeczszotu stosować tylko załączone kołnierze, pokazane w instrukcji obsługi.

Tarczówki nigdy nie używać do cięcia materiałów innych niż podane w instrukcji obsługi.

Tarczówkę do obrzynania używać wyłącznie z należącej funkcjonującą i konserwowaną osłoną. Osłona winna sama się zamykać.

Podczas wykonywania cięcia kąтового, fazowania lub złożonych cięć kątowych, dostosować ruchomy ogranicznik, aby zapewnić prawidłowy odstęp od ostrza.

Nie wolno usuwać żadnych pozostałości po cięciu lub innych części przedmiotów obrabianych gdy maszyna pracuje a głowica piły nie znajduje się w położeniu spoczynkowym.

Podczas pracy strugarki nie zbliżać się do strefy niebezpiecznej. Zawsze stosować osłony ochronne na elektronarzędziu.

Usterki maszyny, włączając w to urządzenie ochronne lub brzeczszoty, należy natychmiast po wykryciu zgłosić osobie odpowiedzialnej za bezpieczeństwo.

Nie zaciskać obrotowej osłony zabezpieczającej.

Długie przedmioty obrabiane należy odpowiednio podeprzeć.

Nie wymieniać lampki LED na inną.

Tarczówkę transportować tylko z zamkniętym na zatrzask zabezpieczeniem transportowym na rękojeści.

Podczas piłowania drewna należy podłączyć pilarkę do odkurzacza.

Nie należy używać odpylacza tego urządzenia jako odkurzacza do odsysania przedmiotów takich jak np. twarde kawałki obrabianych elementów lub gwoździe. Na skutek tego odpylacz może ulec uszkodzeniu.

LASER

Nie patrzeć w kierunku promienia lasera i nie kierować promienia na inne osoby.

Nie patrzeć w kierunku lasera poprzez przyrządy optyczne (lornetkę, lunetę).

Nie kierować lasera na powierzchnie odbijające światło.

Nie narażać się na działanie promieni lasera. Laser może emitować silne promieniowanie.

Nie zamieniać wbudowanego lasera na laser innego typu.

Naprawy winny być prowadzone przez autoryzowanych techników serwisowych.

WARUNKI UŻYTKOWANIA

Tarczówka do obrzynania jest przeznaczona do cięcia drewna litego, drewna klejonego, materiałów drewnopochodnych, profile aluminiowe, metale nieżelazne i tworzyw sztucznych.

Nie wolno ciąć przedmiotów obrabianych o przekroju okrągłym lub nieregularnym (np. drewno kominkowe, ponieważ nie są one pewnie zamocowane podczas cięcia. Podczas cięcia pionowego przedmiotów płaskich należy stosować oparcie pomocnicze do pewnego prowadzenia.

ZAGROŻENIA RESZTKOWE

Nawet przy właściwym użytkowaniu produktu nie można całkowicie wykluczyć zagrożeń resztkowych. W przypadku stosowania mogą wystąpić następujące zagrożenia, dlatego też operator winien zwracać uwagę na następujące aspekty:

- Aby uniknąć uszkodzenia słuchu należy ograniczyć czas ekspozycji (na hałas) i używać odpowiedniej ochrony słuchu.
- Operator winien podjąć działania celem zredukowania oddziaływania wibracji i czasu ekspozycji.
- Należy używać maski do ochrony dróg oddechowych w celu wyeliminowania zagrożeń zdrowotnych, które mogą zaistnieć na skutek wdychania pyłu pochodzącego z piłowania.

PODŁĄCZENIE DO SIECI

Podłączyć tylko do źródła zasilania prądem zmiennym jednofazowym i wyłącznie o napięciu podanym na tabliczce znamionowej. Możliwe jest również podłączenie do gniazdka bez uziemienia, ponieważ konstrukcja odpowiada II klasie bezpieczeństwa.

Urządzenia pracujące w wielu różnych miejscach, w tym poza pomieszczeniami zamkniętymi, należy podłączyć poprzez ochronny (FI, RCD, PRCD) wyłącznik udarowy.

Elektronarzędzie można podłączyć do gniazdka sieciowego tylko wtedy, kiedy jest wyłączone.

Kabel zasilający nie może znajdować się w obszarze roboczym elektronarzędzia. Powinien on się zawsze znajdować się za operatorem.

Przed każdym użyciem należy sprawdzić, czy nie występują oznaki uszkodzeń lub zmechanienia materiału na elektronarzędziu, kablu i wtyczce. Naprawę uszkodzonych części zlecać upoważnionym Przedstawicielom Serwisu.

Wpływać na pracę innych urządzeń elektrycznych podłączonych do tej samej linii zasilającej. Podłącz produkt do źródła zasilania o impedancji wynoszącej 0,3 Ω , aby ograniczyć wahania napięcia.

Skontaktuj się z dostawcą energii elektrycznej, aby uzyskać szczegółowe informacje.

UTRZYMANIE I KONSERWACJA

Przed przystąpieniem do jakichkolwiek prac związanych z elektronarzędziem należy wyjąć wtyczkę z gniazdka.

W przypadku uszkodzenia przewodu podłączeniowego elektronarzędzia, należy go zastąpić specjalnie przygotowanym przewodem podłączeniowym, który można nabyć w sieci serwisowej.

Należy pamiętać, aby przed założeniem lub zdjęciem tarczy tnącej wyjąć wtyczkę z gniazda sieciowego.

Wymienić zużytą wkładkę stołu.

Oczyszczyć urządzenie i elementy zabezpieczające za pomocą suchej ściereczki.

Otwory wentylacyjne elektronarzędzia muszą być zawsze drożne.

Należy stosować wyłącznie wyposażenie dodatkowe i części zamienne AEG. W przypadku konieczności wymiany części, dla których nie podano opisu, należy skontaktować się z przedstawicielami serwisu AEG (patrz lista punktów obsługi gwarancyjnej/serwisowej).

Na życzenie można otrzymać rysunek widoku zespołu rozebranego. Przy zamawianiu należy podać numer oraz typ elektronarzędzia umieszczony na tabliczce znamionowej. Zamówienia można dokonać albo u lokalnych przedstawicieli serwisu, albo bezpośrednio w Techtronic Industries GmbH, Max-Eyth-Str. 10, 71364 Winnenden, Germany.

DEKLARACJA ZGODNOŚCI CE

Oświadczamy na naszą wyłączną odpowiedzialność, że produkt opisany pod „Dane techniczne” spełnia wszystkie istotne przepisy dyrektyw

2011/65/EU (RoHS)

2006/42/WE

2014/30/EU

i zastosowano następujące zharmonizowane normy 0

EN 61029-1:2009 + A11:2010

EN 61029-2-9:2012 + A11:2013

EN 55014-1:2006+A1:2009+A2:2011

EN 55014-2:1997 + A1:2001 + A2:2008

EN 61000-3-2:2014

EN 61000-3-11:2000

EN 50581:2012



Winnenden, 2016-03-25

Alexander Krug / Managing Director

Upewnomocniony do zestawienia danych technicznych

Techtronic Industries GmbH

Max-Eyth-Straße 10, 71364 Winnenden, Germany

SYMBOLE



UWAGA! OSTRZEŻENIE NIEBEZPIECZEŃSTWO!



Przed przystąpieniem do jakichkolwiek prac związanych z elektronarzędziem należy wyjąć wtyczkę z gniazdka.



Przed uruchomieniem elektronarzędzia zapoznać się uważnie z treścią instrukcji.



Podczas pracy należy zawsze nosić okulary ochronne.



Należy używać ochroniaczy uszu!



Nosić rękawice ochronne!



Nie należy nigdy wkładać rąk w strefę brzeszczotu piły.



GRAFIKHAUS Urządzenie można stosować tylko w pomieszczeniach zamkniętych. Nie wystawiać na deszcz.



Nie patrzeć na promień lasera.



Produkt odpowiada klasie lasera 2 wg EN 60825-1:2007.



Urządzenia elektryczne nie mogą być usuwane razem z odpadami pochodzącymi z gospodarstw domowych. Urządzenia elektryczne i elektroniczne należy gromadzić oddzielnie i w celu usuwania ich do odpadów zgodnie z wymaganiami środowiska naturalnego oddawać do przedsiębiorstwa utylizacyjnego. Proszę zasięgnąć informacji o centrach recyklingowych i punktach zbiorczych u władz lokalnych lub u wyspecjalizowanego dostawcy.



Elektronarzędzie klasy ochrony II. Elektronarzędzie, w którym zabezpieczenie przed porażeniem prądowym zależy nie tylko od izolacji podstawowej, lecz również od tego, czy zostały zastosowane dodatkowe środki ochrony, takie jak: izolacja podwójna lub izolacja wzmocniona.

Nie ma żadnego urządzenia do podłączenia przewodu ochronnego.



Znak CE



Znak zgodności UkrSEPRO



Znak zgodności EurAsian



MŰSZAKI ADATOK Gérvágófűrész *	PS 216 L	PS 254 L
Gyártási szám	4522 03 02... 4522 06 02... ... 000001-999999	4522 09 02... 4522 12 02... ... 000001-999999
Névleges teljesítményfelvétel	220-240 V, 50 Hz, S6(40%), 1500 W, 6,5 A	220-240 V, 50 Hz, S6(40%), 2000 W, 8,3 A
Üresjárat fordulatszám	5000 min ⁻¹	4500 min ⁻¹
Fűrészlap átmérő x lyukátmérő	216 x 30 mm	254 x 30 mm
Fűrészlap vastagság	1,6 mm	1,8 mm
Max. vágási teljesítmény forgásszög 0°/ Dőlés 0° forgásszög 45°/ Dőlés 0° forgásszög 0°/ Dőlés 45° forgásszög 45°/ Dőlés 45°	65 x 305 mm 65 x 215 mm 36 x 305 mm 36 x 215 mm	90 x 305 mm 90 x 215 mm 50 x 305 mm 50 x 215 mm
Min. munkadarab méretek	130 x 35 x 2,5 mm	130 x 35 x 2,5 mm
Súly a 01/2003 EPTA-eljárás szerint	16,7 kg	19,6 kg
Zajinformáció A köztölt értékek megfelelnek az EN 61029 szabványnak. A készülék munkahelyi zajszintje tipikusan: Hangnyomás szint (K bizonytalanság=3dB(A)) Hangteljesítmény szint (K bizonytalanság=3dB(A)) Hallásvédő eszköz használata ajánlott! Vibráció-információk Összesített rezgésértékek (három irány vektoriális összeg az EN 61029-nek megfelelően meghatározva.) Fa fűrészelése: rezgésemisszió érték a _h K bizonytalanság	99,2 dB (A) 112,2 dB (A)	96,7 dB (A) 109,7 dB (A)
	3,5 m/s ² 1,5 m/s ²	2,133 m/s ² 1,5 m/s ²



¹ PS ≙ Gérvágófűrész

² Az S6-40% jelölés 4 perc terhelési és 6 perc üresjáratú időből álló terhelési profilt jelent

FIGYELMEZTETÉS!

A jelen utasításokban megadott rezgésszint értéke az EN 61029-ben szabályozott mérési eljárásnak megfelelően került leírásra, és használható elektromos szerszámokkal történő összehasonlításhoz. Az érték alkalmas a rezgésterhelés előzetes megbecslésére is.

A megadott rezgésszint-érték az elektromos szerszám legfőbb alkalmazásait reprezentálja. Ha az elektromos szerszámot azonban más alkalmazásokhoz, eltérő használt szerszámokkal vagy nem elegendő karbantartással használják, a rezgésszint értéke eltérő lehet. Ez jelentősen megnövelheti a rezgésterhelést a munkavégzés teljes időtartama alatt.

A rezgésterhelés pontos megbecsléséhez azokat az időket is figyelembe kell venni, melyekben a készülék lekapcsolódik, vagy ugyan működik, azonban ténylegesen nincs használatban. Ez jelentősen csökkentheti a rezgésterhelést a munkavégzés teljes időtartama alatt.

Határozzon meg további biztonsági intézkedéseket a kezelő védelmére a rezgések hatása ellen, például: az elektromos és a használt szerszámok karbantartásával, a kezek melegen tartásával, a munkafolyamatok megszervezésével.

FIGYELMEZTETÉS!

Olvasson el minden biztonsági útmutatást és utasítást.

A következőkben leírt előírások betartásának elmulasztása áramütésekhez, tűzhöz és/vagy súlyos testi sérülésekhez vezethet.

Kérjük a későbbi használatra gondosan őrizze meg ezeket az előírásokat.

A GÉRVÁGÓFŰRÉSZ VONATKOZÓ BIZTONSÁGI ÚTMUTATÁSOK

Viseljen hallásvédőt. A zaj hatása hallásvesztést okozhat.

Munkavégzés közben ajánlatos védőszemüveget viselni.
Védőkesztyű, zárt és csúszámentes cipő, valamint védőkötény használata szintén javasolt.

A munkavégzőkór keletkező por az egészségre ártalmas lehet. Ilyen esetben ajánlatos a megfelelő elszívó berendezés és a védőmaszk használata. A munkaterületen lerakódott port alaposan el kell takarítani.

Hordjon védőkesztyűt!

A készülék első használata előtt szíveskedjen a kezelési útmutatót figyelmesen átolvasni és a gyakorlati tudnivalókat elsajátítani.

Biztosítani kell, hogy a gép helyzete állandóan biztonságos legyen (pl. rögzítve legyen a munkapadon).

A padlót anyagmaradványoktól, pl. forgácgstól és fűrészelési maradványoktól tisztán kell tartani.

Nem szabad sérült vagy deformálódott vágólapot használni.

Ne használjon olyan fűrészlapot, ami nem egyezik meg a használati útmutatóban feltüntetettekkel.

Csak olyan szerszámot szabad használni, amely megfelel az EN 847-1 előírásainak.

Ne használjanak gyorsacélból készült fűrészlapokat!

Csak előírászerűen megélesített fűrészlapokat szabad használni!

Válasszanak a vágni kívánt anyagnak megfelelő fűrészlapot!

Be kell tartani a fűrészlapon feltüntetett maximális fordulatszámot!

A szerszámokat csak arra alkalmas tartóban szállítsa és tárolja;

A fűrészlap rögzítéséhez csak a mellékelt és a kezelési útmutatóban ábrázolt karimát szabad használni!

A darabolófűrész nem szabad más anyagok vágására használni, mint ami a kezelési útmutatóban szerepel!

A fejező fűrész csak biztonságosan működő és jól karbantartott védőburkolattal szabad használni. A védőburkolatnak önműködően vissza kell fordulni.

Gérvágás, ferdevágás vagy összetett vágások végrehajtásakor úgy állítsa be a gérvágó vezetőszínt, hogy biztosítsa a megfelelő hízagot a vágólaptól.

Ha a gép jár és a fűrészfej nincs nyugalmi állapotban, nem szabad eltávolítani fűrészelési maradványokat vagy más munkadarabrészeket a fűrészelési tartományból.

A működő készülék munkaterületére nyúlni balesetveszélyes és tilos.

A készülék biztonságtechnikai felszereléseit feltétlenül használni kell.

A gépben, a védőberendezésben vagy a fűrészlapokon jelentkező hibákat észlelésük után azonnal jelenteni kell a biztonságért felelős személynek.

Ne szorítsa be a forgórész védő csappantyút.

A hosszú munkadarabokat alkalmas módon meg kell támasztani.

Ne cserélje ki a LED-et másikra.

A darabolófűrész a fogantyúján rögzített szállításbiztosítóval kell szállítani!

Fa vágásakor csatlakoztassa a fűrész porszivóra.

A készülék porszivóját ne használja porszívóként tárgyak, pl. kemény munkadarabrészek vagy szögek felszívására. Ez károsítja az elszívót.

LÉZER

Tilos a lézersugárba nézni, és nem szabad más személyekre irányítani.

Tilos optikai segédeszközökkel (messzelátó, távcső) a lézerbe nézni.

A lézert nem szabad visszaverő felületre irányítani.

Ne tegye ki magát a lézersugárzásnak. A lézer erős sugárzást bocsáthat ki.

Sohase cserélje ki a készülékbe épített lézert egy más típusú lézere.

Javításokat csak arra feljogosított szerviztechnikusok végezhetnek.

RENDELTELTÉSSZERŰ HASZNÁLAT

A fejező fűrész tömör fák, ragasztott fák, fához hasonló anyagok és műanyagok fűrészelésére használható, alumínium profil, szinesfém.

Nem szabad kör-, vagy szabálytalan keresztmetszetű munkadarabokat (pl. tűzifa) fűrészelni, mivel a fűrészeléskor nem lehet ezeket biztosan rögzíteni. Az élére állított lapos munkadarabok fűrészelésénél biztos megvezetéshez egy megfelelő segédütközőt kell használni.

FENNMARADÓ VESZÉLYEK

Fennmaradó veszélyek még a termék szabályos használata mellett sem zárhatók ki teljes egészében. Az alkalmazás során a következő kockázatok merülhetnek fel, ezért a kezelőnek be kell tartania az alábbiakat:

- A halláskárosodás elkerülése érdekében korlátozni kell az expozíció idejét, és megfelelő hallásvédőt kell viselni.
- A kezelőnek intézkedéseket kell tennie a vibráció hatásainak csökkentésére és az expozíció idejének korlátozására.
- Légzésvédő maszkot kell viselni azon egészségügyi kockázatok csökkentésére, amelyek a fűrészpor belélegzése által jelentkezhetnek.

HÁLÓZATI CSATLAKOZTATÁS

A készüléket csak egyfázisú váltóáramra és a teljesítménytáblán megadott hálózati feszültségre csatlakoztassa. A csatlakoztatás védőérintkezés nélküli dugaszolóaljzatokra is lehetséges, mivel a készülék felépítése II. védettségi osztályú.

Szabadban a dugaljat hibaáram-védőkapcsolóval kell ellátni. Az elektromos készülékek üzembelvezési útmutatása ezt kötelezően előírja (FI, RCD, PRCD). Ügyeljen erre az elektromos kéziszerszámok használatakor is.

A készüléket csak kikapcsolt állapotban szabad ismét áram alá helyezni.

Munka közben a hálózati csatlakozókábelt a sérülés elkerülése érdekében a munkaterülettől, illetve a készüléktől távol kell tartani.

Használat előtt a készüléket, hálózati csatlakozó- és hoszabítókábeleket, valamint a csatlakozódugót sérülés és esetleges elhasználódás szempontjából felül kell vizsgálni és szükség esetén szakemberrel meg kell javíttatni.

A pillanatnyi áramfelvétel kiugrások feszültségingadozást okozhatnak és ez az azonos áramkörbe kapcsolt más elektromos termékek működésére is hatással lehet. A feszültségfluktuációk minimalizálása érdekében a terméket olyan áramforrásokhoz csatlakoztassa, amelyek impedanciája 0,3 Ω.

További információkért forduljon az áramszolgáltatóhoz.

KARBANTARTÁS

Bármilyen jellegű karbantartás vagy javítás előtt a készüléket áramtalanítani kell.

Ha az elektromos szerszám tápkábele sérült, úgy speciálisan előkészített tápkábelre kell cserélni, amely a vevőszolgáltatón keresztül szerezhető be.

A fűrészlap felhelyezése és eltávolítása előtt ügyeljen arra, hogy kihúzza a szerszámot az elektromos hálózathoz.

Az elhasználadott szalbetétet ki kell cserélni.

A készüléket és a védőeszközt száraz kendővel tisztítsa.

A készülék szellőzőnyílásait mindig tisztán kell tartani.

Javításhoz, karbantartáshoz kizárólag AEG alkatrészeket és tartozékokat szabad használni. A készülék azon részeinek cseréjét, amit a kezelési útmutató nem engedélyez, kizárólag a javításra feljogosított márkaszerviz végezheti. (Lásd a szervizlistát)

Szükség esetén a készülékek robbantott ábráját - a készülék típusa és azonosító száma alapján a területileg illetékes Milwaukee márkaszerviztől vagy közvetlenül a gyártótól (Techtronic Industries GmbH, Max-Eyth-Straße 10, 71364 Winnenden, Germany) lehet kérni.



Mag

CE-AZONOSSÁGI NYILATKOZAT

Kizárólagos felelősségünk alapján kijelentjük, hogy a „Műszaki adatok” fejezetben leírt termék megfelel a irányelvek összes vonatkozó rendelkezésének

2011/65/EU (RoHS)

2006/42/EK

2014/30/EU

harmonizált szabvány és a 0

EN 61029-1:2009 + A11:2010

EN 61029-2-9:2012 + A11:2013

EN 55014-1:2006+A1:2009+A2:2011

EN 55014-2:1997 + A1:2001 + A2:2008

EN 61000-3-2:2014

EN 61000-3-11:2000

EN 50581:2012



II. védelmi osztályú elektromos szerszám. Olyan elektromos szerszám, amelynél az elektromos áramütés elleni védelem nem csak az alapszigeteléstől függ, hanem amelyben kiegészítő védőintézkedéseket, mint pl. kettős szigetelés vagy megerősített szigetelés, alkalmaznak.

Nincs lehetőség védőérintkező csatlakoztatására.



CE-jelölés



UkrSEPRO megfelelőségi jelzés.



Eurázsiai megfelelőségi jelzés.



Winnenden, 2016-03-25

Alexander Krug / Managing Director
Műszaki dokumentáció összeállításra felhatalmazva

Techtronic Industries GmbH

Max-Eyth-Straße 10, 71364 Winnenden, Germany

SZIMBÓLUMOK



FIGYELEM! FIGYELMEZTETÉS! VESZÉLY!



Bármilyen jellegű karbantartás vagy javítás előtt a készüléket áramtalanítani kell.



Kérjük alaposan olvassa el a tájékoztatót mielőtt a gépet használja.



Munkavégzés közben ajánlatos védőszemüveget viselni.



Hallásvédő eszköz használata ajánlott!



Hordjon védőkesztyűt!



A kezeknek soha nem szabad a fűrészlap tartományába kerülniük.



A készülék kizárólag zárt térben történő használatra alkalmas és semmiképpen sem szabad esőnek kitenni.



Tilos a lézersugárba nézni.



A termék az EN 60825-1:2007 szerint a 2. lézer osztálynak felel meg.



Az elektromos eszközöket nem szabad háztartási hulladékkal együtt ártalmatlanítani. Az elektromos és elektronikus eszközöket szelektíven kell gyűjteni, és azokat környezetbarát ártalmatlanítás céljából hulladékhasznosító üzemben kell leadni. A helyi hatóságoknál vagy szakkereskedőjénél tájékozódjon a hulladékudvarokról és gyűjtőhelyekről.

TEHNIČNI PODATKI	PS 216 L	PS 254 L
Potezna žaga *		
Proizvodna številka	4522 03 02... 4522 06 02... ... 000001-999999	4522 09 02... 4522 12 02... ... 000001-999999
Nazivna sprejemna moč	220-240 V, 50 Hz, S6(40%), 1500 W, 6,5 A	220-240 V, 50 Hz, S6(40%), 2000 W, 8,3 A
Število vrtljajev v prostem teku	5000 min ⁻¹	4500 min ⁻¹
List žage ø x vrtni ø	216 x 30 mm	254 x 30 mm
debelina žaginega lista	1,6 mm	1,8 mm
Maksimalna jakost reza Jeralni kot vodoravno 0°/ Sklon 0° Jeralni kot vodoravno 45°/ Sklon 0° Jeralni kot vodoravno 0°/ Sklon 45° Jeralni kot vodoravno 45°/ Sklon 45°	65 x 305 mm 65 x 215 mm 36 x 305 mm 36 x 215 mm	90 x 305 mm 90 x 215 mm 50 x 305 mm 50x 215 mm
Minimalna izmere obdelovalnega kosa	130 x 35 x 2,5 mm	130 x 35 x 2,5 mm
Teža po EPTA-proceduri 01/2003	16,7 kg	19,6 kg
Informacije o hrupnosti Vrednosti merjenja ugotovljene ustrezno z EN 61029-2-9:2009. Raven hrupnosti naprave ovrednotena z A, znaša tipično: Nivo zvočnega tlaka (Nevarnost K=3dB(A)) Višina zvočnega tlaka (Nevarnost K=3dB(A))	99,2 dB (A) 112,2 dB (A)	96,7 dB (A) 109,7 dB (A)
Nosite zaščito za sluh! Informacije o vibracijah Skupna vibracijska vrednost (Vektorska vsota treh smerdoločena ustrezno EN 61029-2-9:2009. Žaganje lesa: Vibracijska vrednost emisij a _h Nevarnost K=	3,5 m/s ² 1,5 m/s ²	2,133 m/s ² 1,5 m/s ²



¹ PS \triangleq Potezna žaga

² Oznaka S6-40% označuje obremenitveni profil, in sicer 4 min obremenitve in 6 min prostega teka.

OPOZORILO!

V teh navodilih navedena raven tresljajev je bila izmerjena po EN61029 normiranem merilnem postopku in lahko služi medsebojni primerjavi električnih orodij. Prav tako je primeren za predhodno oceno obremenitve s tresljaji.

Navedena raven tresljajev navaja najpomembnejše vrste rabe električnega orodja. Kadar se električno orodje uporablja za drugačne namene, z odstopajočimi orodji ali pa z nezadostnim vzdrževanjem, lahko raven tresljajev tudi odstopa. Le to lahko čez celotni delovni čas znatno zviša obremenitev s tresenjem.

Za natančno oceno obremenitve s tresljaji naj bi se upošteval tudi čas v katerem je naprava izklopljena ali sicer teče, vendar dejansko ni v rabi. Le to lahko obremenitev s tresljaji čez celoten delovni čas znatno zmanjša.

Za zaščito upravljalca pred učinkom tresljajev uvedite dodatne zaščitne ukrepe npr.: Vzdrževanje električnega orodja in orodja, delo s toplimi rokami, organizacija delovnih potekov.

⚠ OPOZORILO!

Preberite vsa varnostna opozorila in navodila. Napake zaradi neupoštevanja spodaj navedenih opozoril in napotil lahko povzročijo električni udar, požar in/ali težke telesne poškodbe.

Vsa opozorila in napotila shranite, ker jih boste v prihodnje še potrebovali.

⚠ VARNOSTNA OPOZORILO POTEZNA ŽAGA

Nosite zaščito za sluh. Hrup lahko povzroči izgubo sluha.

Pri delu s strojem vedno nosite zaščitna očala. Priporočamo zaščitne rokavice, trdno obuvalo, varno proti drsenju ter predpasnik.

Prah, ki nastaja pri delu, je pogosto zdravju škodljiv in naj ne zaide v telo. Uporabljajte odsesavanje prahu in dodatno nosite primerno masko za zaščito proti prahu. Prah, ki se usede, temeljito očistite, npr. posesajte.

Nositi zaščitne rokavice

Priporočamo, da pred prvo uporabo naprave skrbno preberete navodilo za uporabo in da se poučite o praktični uporabi.

Zagotovite, da bo stroj zmeraj stal varno (npr. pritrđitev na pult).

Tla ohranjajte ostankov materiala npr. odrezkov in ostankov žaganja prosta.

Ne uporabljajte žaginih listov, ki so poškodovani ali deformirani.

Listi za žago, ki ne odgovarjajo podatkom o značilnosti v tem navodilu za uporabo, se ne smejo uporabiti.

Uporabljajte samo orodje, ki ustreza EN 847-1.

Ne uporabljajte žaginih listov izdelanih iz hitroreznega jekla.

Uporabljajte zgolj primerno ostrene žagine liste.

Izberite rezanemu materialu ustrezen žagin list.

Ravnati se je potrebno glede na največjo dovoljeno število vrtljajev navedeno na žaginem listu.

Orodje transportirajte in hranite v primerni pripravi za prenašanje;

Za pritrđitev žaginega lista uporabljajte zgolj priložene in v navodilih za uporabo ponazorjene flanže.

Nihalne žage nikdar ne uporabljajte za rezanje drugih kot v navodilih za uporabo navedenih materialov.

Čelilno žago uporabljajte zgolj z varno delujočo in dobro vzdrževano zaščitno avbo. Zaščitna avba mora samodejno zanihati nazaj.

Med izvajanjem zajeralnih, stožčastih ali sestavljenih zajeralnih rezov, nastavite drsno ograjo, da zagotovite ustrezno razdaljo od rezila.

Kadar stroj obratuje in kadar glava žage ni v stanju mirovanja, iz območja žaganja ne odstranjajte nobenih ostankov žaganja ali drugih delov obdelovancev.

Ne segajte na področje nevarnosti tekočega stroja.

Brezpogojno uporabljajte zaščitne priprave stroja.

Napake, ki nastopijo na napravi, vključno z varnostno pripravo ali žaginimi listi, je po odkritju potrebno takoj javiti odgovorni osebi za varnost.

Nihajni zaščitni pokrov v odprtem stanju ne sme biti fiksiran.

Dolge obdelovance je potrebno podpreti.

LED ne nadomeščajte z drugo.

Nihalno žago transportiramo samo z zaskočenim transportnim varovalom na prijemalu.

Pri žaganju lesa, priključite žago na sesalec za prah.

Odsesovanja prahu na tej napravi ne uporabljajte kot sesalec za pobiranje predmetov, kot so npr. trdi deli obdelovancev ali žebliji. Sesalna priprava se na tak način poškoduje.

LASER

V žarek laserja ne glejte in ga ne usmerjajte v druge osebe.

V laser ne glejte z optičnimi pripomočki (daljnogled, teleskop).

Laserja ne usmerjajte v reflektirajoče površine.

Izogibajte se izpostavljanju laserskega žarčenja. Laser lahko oddaja močno žarčenje.

Laserskega žarka ne usmerjajte na osebe ali živali in sami ne glejte v laserski žarek.

Popravila lahko izvajajo zgolj pooblaščenim servisni tehniki.

UPORABA V SKLADU Z NAMEMBOSTJO

Čelilna žaga je uporabna za žaganje masivnega lesa, aluminjski profili, zlepljenih surovin, barvna kovina in umetnih mas.

Obdelovanci z okroglim ali neenakomernim prerezom (npr. drva) ni dovoljeno žagati, saj jih med žaganjem ni mogoče varno držati. Pri pokončnem žaganju ploskih obdelovancev je potrebno za varno vodenje uporabiti primeren pomožni naslon.

PREOSTALE NEVARNOSTI

Celo pri pravilni uporabi proizvoda preostalih nevarnosti ni mogoče popolnoma izključiti. Pri uporabi lahko nastopijo sledeča tveganja, zaradi česar mora upravljalec upoštevati naslednje:

- V izogib okvari sluha je potrebno omejiti čas izpostavljenosti in nositi primerno zaščito sluha.
- Upravljalca naj izvaja ukrepe za zmanjševanje učinka vibracij in omejitev časa izpostavljenosti.
- V izogib zdravstvenih tveganj, do katerih lahko pride vsled vdihavanja prahu pri žaganju, je potrebno nositi zaščitno masko za dihanje.

OMREŽNI PRIKLJUČEK

Priključite samo na enofazni izmenični tok in samo na omrežno napetost, ki je označena na tipski ploščici. Priključitev je možna tudi na vtičnice brez zaščitnega kontakta, ker obstaja nadgradnja zaščitnega razreda.

Vtičnice v zunanem področju morajo biti opremljene z zaščitnimi stikali za okvarni tok (FI, RCD, PRCD). To zahteva instalacijski predpis za vašo električno napravo. Prosimo, da to pri uporabi naše naprave upoštevate.

Stroj priključite na vtičnico samo v izklopljenem stanju.

Vedno pazite, da se priključni kabel ne približa področju delovanja stroja. Kabel vedno vodite za strojem.

Pred vsako uporabo kontrolirajte napravo, priključni kabel, AkkuPack, kabel za podaljšek in vtičnik glede poškodb in obrabe. Poskrbite, da poškodovane dele popravi izključno strokovnjak.

Tokovna konic povzroči fluktuacije napetosti in lahko vpliva na druge električne izdelke na istem električnem vodu. Izdelek priključite na napajanje z impedanco 0,3 Ω, da čim bolj zmanjšate napetostna nihanja.

Za nadaljnja pojasnila se obrnite na svojega dobavitelja električne energije.

VZDRŽEVANJE

Pred vsemi deli na stroju izvlčite vtičnik iz vtičnice.

V kolikor je priključna napeljava električnega orodja poškodovana, jo je potrebno nadomestiti s posebej pripravljeno priključno napeljavo, ki je dobavljiva preko servisne organizacije.

Pred nameščanjem ali odstranjevanjem rezila žage se prepričajte, da ste orodje odklopili z napajanja.

Obrabljen mizni vložek nadomestiti.

Napravo in zaščitno pripravo čistite s suho krpo.

Pazite na to, da so prežračevalne reže stroja vedno čiste.

Uporabljajte samo AEG pribor in nadomestne dele. Poskrbite, da sestavne dele, katerih zamenjava ni opisana, zamenjajo v AEG servisni službi (upoštevajte brošuro Garancija/Naslovi servisnih služb).

Po potrebi se lahko pri vaši servisni službi ali direktno pri Techtronic Industries GmbH naroči eksplozijska risba naprave ob navedbi tipa stroja in številke s tipske ploščice Techtronic Industries GmbH, Max-Eyth-Straße 10, 71364 Winnenden, Germany.



CE-IZJAVA O KONFORMNOSTI

S polno odgovornostjo izjavljamo, da izdelek, opisan pod „Tehnični podatki“ izpolnjuje vse ustrezne določbe direktiv 2011/65/EU (RoHS) 2006/42/ES 2014/30/EU

ter da so bili uporabljeni naslednji harmonizirani standardi 0

EN 61029-1:2009 + A11:2010

EN 61029-2-9:2012 + A11:2013

EN 55014-1:2006+A1:2009+A2:2011

EN 55014-2:1997 + A1:2001 + A2:2008

EN 61000-3-2:2014

EN 61000-3-11:2000

EN 50581:2012



Winnenden, 2016-03-25

Alexander Krug / Managing Director
Pooblaščen za izdelavo spisov tehnične dokumentacije.

Techtronic Industries GmbH
Max-Eyth-Straße 10, 71364 Winnenden, Germany

SIMBOLI



POZOR! OPOZORILO! NEVARNO!



Pred vsemi deli na stroju izvlecite vtičak iz vtičnice.



Prosimo, da pred uporabo pazorno preberete to navodilo za uporabo.



Pri delu s strojem vedno nosite zaščitna očala.



Nosite zaščito za sluh!



Nositi zaščitne rokavice



Nikdar ne dajajte rok v območje žaginega lista.



Naprava je primerna samo za uporabo v prostorih, naprave ne izpostavlajte dežju.



Ne glejte v laserski žarek.



Proizvod ustreza 2. razredu laserja ustrežno EN 60825-1:2007.



Električnih naprav ni dovoljeno odstranjevati skupaj z gospodinjstskimi odpadki. Električne in elektronske naprave je potrebno zbirati ločeno in za okolju prijazno odstranitev, oddati podjetju za reciklažo. Pri krajevnem uradu ali vašem strokovnem prodajalcu se pozanimajte glede reciklažnih dvorišč in zbirnih mest.



Električno orodje zaščitnega razreda II. Električno orodje, pri katerem zaščita pred električnim udarom ni odvisna zgolj od osnovne izolacije, temveč tudi od tega, da so uporabljeni dodatni ukrepi, kot dvojna ali okrepljena izolacija.

Ni priprave za priključek zaščitnega vodnika.



CE-znak



UkrSEPRO oznaka o skladnosti.



EurAsian oznaka o skladnosti.



TEHNIČKI PODACI	PS 216 L	PS 254 L
Vlačna pila za obrezivanje i iskošavanje *		
Broj proizvodnje	4522 03 02... 4522 06 02... ... 000001-999999	4522 09 02... 4522 12 02... ... 000001-999999
Snaga nominalnog prijema	220-240 V, 50 Hz, S6(40%), 1500 W, 6,5 A	220-240 V, 50 Hz, S6(40%), 2000 W, 8,3 A
Broj okretaja praznog hoda	5000 min ⁻¹	4500 min ⁻¹
List pile- \varnothing x Bušenje- \varnothing	216 x 30 mm	254 x 30 mm
Debljina lista pile	1,6 mm	1,8 mm
Učinkan rezanja max. Kut kosog rezanja horizontalni 0°/ Nagib 0° Kut kosog rezanja horizontalni 45°/ Nagib 0° Kut kosog rezanja horizontalni 0°/ Nagib 45° Kut kosog rezanja horizontalni 45°/ Nagib 45°	65 x 305 mm 65 x 215 mm 36 x 305 mm 36 x 215 mm	90 x 305 mm 90 x 215 mm 50 x 305 mm 50 x 215 mm
Minimalna dimenzije radnog predmeta	130 x 35 x 2,5 mm	130 x 35 x 2,5 mm
Težina po EPTA-proceduri 01/2003	16,7 kg	19,6 kg
Informacije o buci Mjerne vrijednosti utvrđene odgovarajuće EN 61029-2-9:2009. A-ocijenjeni nivo buke aparata iznosi tipično: Nivo pritiska zvuka (Nesigurnost K=3dB(A)) Nivo učinka zvuka (Nesigurnost K=3dB(A))	99,2 dB (A) 112,2 dB (A)	96,7 dB (A) 109,7 dB (A)
Nositi zaštitu sluha! Informacije o vibracijama Ukupne vrijednosti vibracije (Vektor suma tri smjersu odmjerene odgovarajuće EN 61029 Rezanje drva pilom: Vrijednost emisije vibracije a_h Nesigurnost K=	3,5 m/s ² 1,5 m/s ²	2,133 m/s ² 1,5 m/s ²



¹ PS Δ Vlačna pila za obrezivanje i iskošavanje

² 56-40% označava krivulju opterećenja u trajanju od 4 min pod opterećenjem i 6 min u stanju mirovanja

UPOZORENIE!

Ova u ovim uputama navedena razina titranja je bila izmjerena odgovarajuće jednom u EN 61029 normiranom mjernom postupku i može se upotrijebiti za usporedbu električnog alata međusobno. Ona je prikladna i za privremenu procjenu titrajnog opterećenja.

Navedena razina titranja reprezentira glavne primjene električnog alata. Ukoliko se električni alat upotrebljava u druge svrhe sa odstupajućim primijenjenim alatima ili nedovoljnim održavanjem, onda razina titranja može odstupati. To može titrajno opterećenje kroz cijeli period rada bitno povisiti.

Za točnu procjenu titrajnog opterećenja se moraju uzeti u obzir i vremena u kojima je uređaj isključen ili u kojima doduše radi, ali nije i stvarno u upotrebi. To može titrajno opterećenje bitno smanjiti za vrijeme cijelog radnog perioda.

Utvrđite dodatne sigurnosne mjere za zaštitu poslužioaca protiv djelovanja titranja kao npr.: Održavanje električnih alata i upotrebljenih alata, održavanje topline ruku, organizacija i radne postupke.

UPOZORENIE!

Pročitajte sigurnosne upute i uputnice. Ako se ne bi poštivale napomene o sigurnosti i upute to bi moglo uzrokovati strujni udar, požar i/ili teške ozljede.

Sačuvajte sve napomene o sigurnosti i upute za buduću primjenu.

SIGURNOSNE UPUTE ZA VLAČNA PILA ZA OBREZIVANJE I ISKOŠAVANJE

Nosite zaštitu za sluh. Djelovanje buke može uzrokovati gubitak sluha.

Kod radova sa strojem uvijek nositi zaštitne naočale. Zaštitne rukavice, čvrste i protiv klizanja sigurne cipele kao i pregača se preporučuju.

Prašina koja nastaje kod rada je često štetna po zdravlje i ne bi smjela dospjeti u tijelo. Primijeniti usisavanje prašine i dodatno

nositi prikladnu zaštitnu masku protiv prašine. Sleglu prašinu temeljito odstraniti, npr. usisati.

Nositi zaštitne rukavice!

Preporučuje se, prije prvotne upotrebe aparata uputu o upotrebi brižljivo pročitati i dati se uvesti u praktično rukovanje.

Utvrđiti da stroj uvijek ima sigurnu poziciju stajanja (npr. pričvršćenje na radioničkom stolu).

Tlo osloboditi od ostataka materijala, kao piljevine i ostataka od piljenja

Listove pile koji su oštećeni ili deformirani ne koristiti

Listovi pile, koji ne odgovaraju karakterističnim podacima u ovoj uputi o upotrebi, se ne smiju upotrebljavati.

Dopuštena je uporaba samo onih alata koji udovoljavaju normu EN 847-1.

Ne upotrebljavati listove pile izrađene od brzoreznoг čelika

Upotrebljavati samo pravilno naoštrene listove za pile.

Izabrati list za pilu koji je prikladan za materijal koji se reže.

Pridržavati se najvećeg broja okretaja koji je naveden na listu pile.

Alati se moraju transportirati i čuvati u prikladnoj posudi;

Za pričvršćivanje lista pile primijeniti samo one prirubnice, koje se nalaze na slici u uputi za rad.

Pokrivnu pilu nikada ne upotrebljavati za rezanje drugih materijala, osim onih, koji su navedeni u uputi za rad.

Pokrivnu pilu koristiti samo sa sigurno funkcionirajućom i dobro održavanom zaštitnom haubom. Zaštitna hauba se mora samostalno vratiti nazad.

Kod izvođenja kutnih, rubno kutnih ili složenih kutnih rezova, namjestite klizni vodič kuta obrade da biste osigurali odgovarajući razmak od oštice.

Kada stroj radi, a glava pile nije u stanju mirovanja, nemojte sa područja piljenja odstranjivati ostatke piljenja ili druge dijelove izradaka.

Ne sezati u područje opasnosti radećeg stroja.

Bezuvjetno upotrijebiti zaštitnu napravu stroja.

Greške u stroju, uključno zaštitnu napravu ili listove pile, se moraju prijaviti osobi nadležnoj za sigurnost, ukoliko se ove otkriju.

Njihajuća zaštitna kapa u otvorenom položaju ne smije biti priklještena.

Materijali velike dužine koji se obrađuju, se moraju prikladno poduprijeti.

LED nemojte izmjenjivati drugima.

Pokrivnu pilu transportirati samo sa uskočenim transportnim osiguračem na ručici.

Pilu priključite na usisavač prilikom piljenja drveta.

Usisavanje prašine na ovom uređaju nemojte koristiti kao usisavač prašine za usisavanje predmeta kao npr. tvrdih dijelova izradaka ili čavala. Usisna naprava se time oštećuje.

LASER

Ne gledati u laserski zrak i ne usmjeravati na druge osobe

U laser ne gledati sa optičkim pomoćnim sredstvima (dalekozor, teleskop)

Laser ne usmjeravati na reflektirajuće površine

Ne izlagati se laserskim zrakama. Laser može odašiljati jako zračenje.

Ugrađeni laser ne zamijenite sa laserom nekog drugog tipa.

Popravke smiju izvoditi samo autorizirani servisni tehničari.

PROPISNA UPOTREBA

Pokrivna pila je upotrebljiva za piljenje masivnog drva, ljepljenih drva, materijala sličnih drvu, aluminijske profile, obojeni metal i plastičnih tvari.

Izratke sa okruglim i nepravilnim presjekom (npr. drva za loženje) se ne smiju piliti, jer se oni prilikom piljenja ne mogu držati. Kod osvođenih piljenja plosnatih izradaka se mora primijeniti prikladan pomoćni graničnik za sigurno vođenje.

PREOSTALE OPASNOSTI

Isto i kod propisne uporabe proizvoda se preostale opasnosti ne mogu potpuno isključiti. Kod uporabe mogu nastupiti sljedeći rizici, tako da poslužioc treba sljedeće uzeti u obzir:

- Zbog izbjegavanja oštećenja sluha se mora ograničiti vrijeme ekspozicije i nositi prikladna zaštitna sluha.
- Operater mora donijeti mjere, kako bi djelovanja vibracija smanjio i ograničio vrijeme ekspozicije.
- Nositi se mora maska za zaštitu disanja kako bi se izbjegli zdravstveni rizici koji mogu nastati udisanjem prašine piljenja.

PRIKLJUČAK NA MREŽU

Priključiti samo na jednofaznu naizmjeničnu struju i samo na napon struje, naveden na pločici snage. Priključak je moguć i na utičnice bez zaštitnog kontakta, jer postoji dogradnja zaštitne klase II.

Utičnice na vanjskom području moraju biti opremljene zaštitnim prekidačima za pogrešnu struju (FI, RCD, PRCD). To zahtjeva instalacijski propis za električne uređaje. Molimo da ovo poštujuete prilikom upotrebe našeg aparata.

Samo isključeni stroj priključiti na utičnicu.

Priključni kabel uvijek držati udaljenim sa područja djelovanja. Kabel uvijek voditi od stroja prema nazad.

Prije svake upotrebe aparat, priključni kabel, svežanj baterije, produžni kabel i utikač provjeriti zbog oštećenja i starenja. Oštećene dijelove dati popraviti od strane stručnjaka.

Vršna struja uzrokuje fluktuacije napona i može utjecati na druge električne proizvode na istoj liniji napajanja. priključite uređaj na napajanje s impedancijom jednakom 0,3 Ω za minimiziranje fluktuacije napona.

Obratite se dobavljaču električne energije za daljnje informacije.

ODRŽAVANJE

Prije radova na stroju izvršiti utikač iz utičnice.

Ukoliko je priključni vod električnog alata oštećen, ovaj se mora promijeniti jednim specijalno podešenim priključnim vodom, koji se može dobiti preko servisne organizacije.

Prije priključivanja ili uklanjanja lista pile osigurajte da je alat iskopčan iz izvora za napajanje.

Istrošeni uložak stola promijeniti

Aparat i zaštitni uređaj čistite jednom suhom krpom.

Proreze za prozračivanje stroja uvijek držati čistima.

Primijeniti samo AEG opremu i rezervne dijelove. Sastavne dijelove, čija zamjena nije opisana, dati zamijeniti kod jedne od AEG servisnih službi (poštivati brošuru Garancija/Adrese servisa).

Po potrebi se može zatražiti crtež eksplozije aparata uz davanje podataka o tipu stroja i desetoznamenastog broja na pločici snage kod Vaše servisne službe ili direktno kod Techtronic Industries GmbH, Max-Eyth-Strabe 10, 71364 Winnenden, Germany.



Hrv

CE-IZJAVA KONFORMNOSTI

Izjavljujemo pod vlastitom odgovornošću da proizvod opisan u odjeljku „Tehnički podaci“ ispunjava sve potrebne odredbe smjernica

2011/65/EU (RoHS)

2006/42/EC

2014/30/EU

i da su korišteni sljedeći usklađeni standardi 0

EN 61029-1:2009 + A11:2010

EN 61029-2-9:2012 + A11:2013

EN 55014-1:2006+A1:2009+A2:2011

EN 55014-2:1997 + A1:2001 + A2:2008

EN 61000-3-2:2014

EN 61000-3-11:2000

EN 50581:2012



Električni alat zaštitne kategorije II. Električni alat, čija zaštita od jednog električnog udara ne zavisi samo od osnovne izolacije, već i od toga, da se primijene dodatne zaštitne mjere, kao što su dvostruka izolacija ili pojačana izolacija.

Ne postoji nikakva naprava za priključak nekog zaštitnog voda.



Oznaka-CE



UkrSEPRO znak konformnosti.



EurAsian znak konformnosti.



Winnenden, 2016-03-25

Alexander Krug / Managing Director
Ovlašten za formiranje tehničke dokumentacije.

Techtronic Industries GmbH

Max-Eyth-Straße 10, 71364 Winnenden, Germany

SIMBOLI



PAŽNJA! UPOZORENIE! OPASNOST!



Prije radova na stroju izvući utikač iz utičnice.



Molimo da pažljivo pročitate uputu o upotrebi prije puštanja u rad.



Kod radova na stroju uvijek nositi zaštitne naočale.



Nositi zaštitu sluha!



Nositi zaštitne rukavice!



Ruke nikada ne stavljati na područje lista pile.



Aparat je prikladan samo za korištenje u prostorijama, aparat ne izlagati kiši.



Ne gledati u lasersku zraku



Proizvod odgovara klasi lasera 2 po EN 60825-1:2007.



Električni uređaji se ne smiju zbrinjavati skupa sa kućnim smećem. Električni uređaji se moraju skupljati odvojeno i predati na zbrinjavanje primjereno okolišu jednom od pogona za iskorišćavanje. Raspitajte se kod mjesnih vlasti ili kod stručnog trgovca u svezi gospodarstva za recikliranje i mjesta skupljanja.

Hrvatski

TEHNISKIE DATI	PS 216 L	PS 254 L
Taisnleņķa zāģis *		
Izlaides numurs	4522 03 02... 4522 06 02... ... 000001-999999	4522 09 02... 4522 12 02... ... 000001-999999
Nominālā atdotā jauda	220-240 V, 50 Hz, S6(40%), 1500 W, 6,5 A	220-240 V, 50 Hz, S6(40%), 2000 W, 8,3 A
Tukšgaitas apgriezienu skaits	5000 min ⁻¹	4500 min ⁻¹
Zāģa ripas ārējais diametrs x iekšējais diametrs	216 x 30 mm	254 x 30 mm
Zāģa plātnes biezums	1,6 mm	1,8 mm
Maksimālā apgriešanas jauda		
Zāģēšanas leņķis Horizontālais 0°/ Novirze 0°	65 x 305 mm	90 x 305 mm
Zāģēšanas leņķis Horizontālais 45°/ Novirze 0°	65 x 215 mm	90 x 215 mm
Zāģēšanas leņķis Horizontālais 0°/ Novirze 45° ↘	36 x 305 mm	50 x 305 mm
Zāģēšanas leņķis Horizontālais 45°/ Novirze 45° ↘	36 x 215 mm	50 x 215 mm
Min. . apstrādājamās detaļas izmērs	130 x 35 x 2,5 mm	130 x 35 x 2,5 mm
Svars atbilstoši EPTA -Procedure 01/2003	16,7 kg	19,6 kg
Trokšņu informācija	Vertības, kas noteiktas saskaņā ar EN 61029-2-9:2009. A novērtētās aparātūras skaņas līmenis ir:	
Trokšņa spiediena līmenis (Nedrošība K=3dB(A))	99,2 dB (A)	96,7 dB (A)
Trokšņa jaudas līmenis (Nedrošība K=3dB(A))	112,2 dB (A)	109,7 dB (A)
Nēsāt trokšņa slāpētāju!		
Vibrāciju informācija	Svārstību kopejā vērtība (Trīs virzienu vektoru summtiek noteikta atbilstoši EN 61029-2-9:2009.	
Koka zāģis: svārstību emisijas vērtība a _h	3,5 m/s ²	2,133 m/s ²
Nedrošība K=	1,5 m/s ²	1,5 m/s ²



¹ PS ≙ Taisnleņķa zāģis

² S6-40% apzīmē slodzes profilu ar 4 minūšu slodzi un 6 minūšu dikstāvi.

UZMANĪBU!

Instrukcijā norādītā svārstību robežvērtība ir izmērīta mērījumu procesā, kas veikts atbilstoši standartam EN 61029, un to var izmantot elektroinstrumentu savstarpējai salīdzināšanai. Tā ir piemērota arī svārstību noslogojuma pagaidu izvērtēšanai.

Norādītā svārstību robežvērtība ir reprezentatīva elektroinstrumenta pamata pielietojuma jomām. Tomēr, ja elektroinstrumenti tiek pielietoti citās jomās, papildus izmantojot neatbilstošus elektroinstrumentus vai pēc nepietiekamas tehniskās apkopes, tad svārstību robežvērtība var atšķirties. Tas var ievērojami palielināt svārstību noslogojumu visa darba laikā.

Precīzā svārstību noslogojuma noteikšanai, ir jāņem vērā arī laiks, kad ierīces ir izslēgta vai arī ir ieslēgta, tomēr faktiski netiek lietota. Tas var ievērojami samazināt svārstību noslogojumu visa darba laikā.

Integrējiet papildus drošības pasākumus pret svārstību ietekmi lietotājam, piemēram: elektroinstrumentu un darba instrumentu tehniskā apkope, roku siltuma uzturēšana, darba procesu organizācija.

⚠ UZMANĪBU!

Izlasiet visu drošības instrukciju un lietošanas pamācību klāt.

Šeit sniegto drošības noteikumu un norādījumu neievērošana var izraisīt aizdegšanos un būt par cēloni elektriskajam triecienam vai nopietnam savainojumam.

Pēc izlasīšanas uzglabājiet šos noteikumus turpmākai izmantošanai.

⚠ DROŠĪBAS NOTEIKUMI TAISNLEŅĶA ZĀĢIS

Nēsājiet ausu aizsargus. Trokšņa iedarbība var izraisīt dzirdes zudumu.

Strādājot ar mašīnu, vienmēr jānēsā aizsargbrilles. Tiek ieteikts nēsāt arī aizsargcimdus, slēgtus, nesliedošus apavus un priekšautu.

Putekļi, kas rodas strādājot, bieži ir kaitīgi veselībai, un tiem nevajadzētu nokļūt ķermenī. Vajag izmantot putekļusūcēju un bez tam nēsāt masku, kas pasargā no putekļiem. Nosēdušos putekļus vajag aizvēkt, piem. nosūknēt.

Jāvalkā aizsargcimdi!

Pirms instrumenta pirmās lietošanas tiek ieteikts izlasīt lietošanas pamācību un iepazīties ar tā praktisko pielietojumu
Nodrošināt, lai ierīce vienmēr stāvētu stabili (piem., piestiprinot pie darbgalda).

Raudzieties, lai uz grīdas nemēģinātu materiālu atlikumi, piem., zāģskaidas, atgriezumus.

Neizmantojot bojātus vai deformētus zāģa diskus.

Zāģu ripas, kas neatbilst šīni lietošanas pamācībā minētajiem datiem, nedrīkst izmantot.

Drīkst izmantot tikai standartam EN 847-1 atbilstošus darbinstrumentus.

Nelietojiet zāģa plātnes, kas izgatavotas no ātrām darbam paredzētā tērauda.

Lietojiet tikai pareizi uzasinātas zāģa plātnes.

Lietojiet zāģa plātni, kas ir piemērota attiecīgā materiāla griešanai.

Latviski

Nodrošiniet, lai netiktu pārsniegti uz zāga plātnes norādītie maksimālie apgrīzieni.

Darbinstrumentu pārnēsāšanai un glabāšanai jāizmanto piemērota tvertne.

Zāga plātnes nostiprināšanai lietojiet tikai mašīnai pievienotos un lietošanas instrukcijā attēlotos nostiprināšanas atlokus.

Nekad nelietojiet sagarināšanas zāģi citu materiālu griešanai, kā norādīts lietošanas instrukcijā.

Sagarumošanas zāģi izmantot tikai ar droši funkcionējošu un tehniski kārtīgu aizsargvāku. Aizsargvākam jābūt automātiski nobloķējošamies.

Veicot slīpžāģēšanu, nošļaupšanu vai sarežģītus slīpos griezumus, noregulējiet slīdošo barjeru, lai nodrošinātu pareizu attālumu no asmens.

Neizņem zāģēšanas pārpalikumus vai citus formu fragmentus no zāģēšanas iekārtas, ja tā ir iedarbināta un zāģis neatrodas mierīgā pozīcijā.

Nelikt rokas mašīnas darbības laukā.

Noteikti vajag izmantot mašīnai paredzēto aizsargapriekojumu.

Ja mašīna, ieskaitot aizsardzības ierīces vai zāga plātni, ir radusies kļūda, tad tikko kā tā ir konstatēta, par to jāziņo personai, kas ir atbildīga par drošības tehniku.

Aizsargpārvalku nedrīkst fiksēt atvērta stāvoklī.

Garas apstrādājamās sagataves piemērotā veidā atbalstiet.

Nenomainiet LED ar vienu citu.

Sagarināšanas zāģi transportējiet tikai aiz rokura, ar ieslēgtu transportēšanas drošinātāju.

Zāģējot kokmateriālu, pieslēdziet iekārtai putekļsūcēju.

Neizmantojiet šīs iekārtas putekļu nosūkšanas mehānismu kā putekļsūcēju, piemēram, lai savāktu cietas darbariku daļas vai naglas. Pretējā gadījumā nosūkšanas iekārta var tikt bojāta.

LĀZERS

Nelūkot cieši lāzera starā un nevīzīt to uz citām personām.

Nelūkot cieši lāzērā ar optiskām ierīcēm (ar binokulāru, tālskati).

Nevīzīt lāzera uz atstarojošām/reflektējošām virsmām.

Sargājieties no lāzera radiācijas apstarošanas. Lāzers var izstarot bīstamu radiāciju.

Nenomainiet elektroinstrumentā iebūvēto lāzera ar cita tipa lāzera ierīci.

Visa veida remontdarbus drīkst veikt tikai sertificēti klientu apkalpošanas servisa speciālisti.

NOTEIKUMIEM ATBILDOŠS IZMANTOJUMS

Sagarumošanas zāģis ir piemērots veselu koku, limētas koksnes, kokveidīgu sagatavju, alumīnija profilu, krāsainais metāls un plastmasas zāģēšanai.

Formas ar apaļu vai neregulāru šķērsgriezumu (piem., malka, nedrīkst tikt zāģētas, ja zāģēšanas procesa laikā tās netiek droši nostiprinātas. Zāģējot augstās malas plakanajām formām ir jāizmanto piemērots instruments zāģa drošai vadībai.

PĀRĒJIE RISKI

Pat lietojot ierīci atbilstoši noteikumiem, nav iespējams pilnībā izslēgt citus riskus. Ierīces izmantošanas laikā var rasties turpmākie riska faktori, kādēļ ierīces lietotājam nepieciešams ievērot turpmākās norādes:

- Lai izvairītos no paliekošiem dzirdes traucējumiem, ierobežojiet darba ilgumu ar ierīci un lietojiet piemērotus dzirdes aizsardzības līdzekļus.
- Ierīces lietotājam ir jāveic nepieciešamie pasākumi, lai mazinātu vibrāciju radīto ietekmi, kā arī samazinātu darba ilgumu ar ierīci.
- Strādājot ar ierīci, ir jālieto elpošanas maskas, lai izvairītos no veselības problēmām, ko izraisa radīto putekļu ieelpošana.

TĪKLA PIESLĒGUMS

Pieslēgt tikai vienpola mainstrāvas tīklam un tikai spriegumam, kas norādīts uz jaudas paneļa. Pieslēgums iespējams arī kontaktligzdām bez aizsargkontaktiem, jo runa ir par uzbūvi, kas atbilst II. aizsargklasei.

Kontaktligzdām, kas atrodas ārpus telpām jābūt apriktām ar automātiskiem drošinātājslēdzēm, kas nostrādā, ja strāvas plūsmā radušies (FI, RCD, PRCD) bojājumi. To pieprasa jūsu elektroiekārtas instalācijas noteikumi. Lūdzu, to ņemt vērā, izmantojot mūsu instrumentus.

Mašīnu pievienot kontaktligzdai tikai izslēgtā stāvoklī.

Pievienojuma kabeli vienmēr turēt atstātus no mašīnas darbības lauka. Kabelim vienmēr jāatrodas aiz mašīnas.

Pirms katras lietošanas pārbaudīt, vai nav bojāts vai novecojis pats instruments, pievienojuma kabelis, akumulatori, pagarinājuma kabelis un kontaktdakša. Bojātās detaļas drīkst labot tikai speciālisti.

Elektrības kāpumi izraisa sprieguma svārstības un var ietekmēt citas elektroierīces tajā pašā elektrības slēgumā. Lai mazinātu sprieguma svārstības, pievienojiet izstrādājumu strāvas padevei, kuras pretestība ir vienāda ar 0,3 Ω.

Sazinieties ar savu elektroenerģijas piegādātāju, lai saņemtu plašāku informāciju.

APKŌPE

Pirms jebkādiem darbiem, kas attiecas uz mašīnas apkopi, mašīnu noteikti vajag atvienot no kontaktligzdas.

Ja elektroinstrumenta savienojuma kabelis ir bojāts, tas jānomaina pret speciāli sagatavotu kabeli, ko var iegādāties klientu apkalpošanas centrā.

Pirms zāģa asmens pievienošanas vai noņemšanas noteikti atslēdziet instrumentu no strāvas padeves.

Nomainīt nolietoto galda plati.

Iekārtu un aizsardzības apriekojumu jātīra ar tīru un sausu lupatīti.

Vajag vienmēr uzmanīt, lai būtu tīras dzesēšanas atveres.

Izmantojiet tikai firmu AEG piederumus un firmas rezerves daļas. Lieciet nomainīt detaļas, kuru nomaina nav aprakstīta, kādā no firmu AEG klientu apkalpošanas servisiem. (Skat. brošūru „Garan-tija/klientu apkalpošanas serviss“.)

Ja nepieciešams, klientu apkalpošanas servīs vai tieši pie firmas Techtronic Industries GmbH, Max-Eyth-Straße 10, 71364 Winnenden, Germany, var pieprasīt instrumenta numurs, kas norādīts uz jaudas paneļa.



ATBILSTĪBA CE NORMĀM

Mēs ar pilnu atbildību paziņojam, ka izstrādājums, kas raksturots šajā „Tehniskie dati”, atbilst visām attiecīgajām prasībām direktīvās

2011/65/EU (RoHS)

2006/42/EK

2014/30/EU

un ir piemēroti šādi saskaņotie standarti 0

EN 61029-1:2009 + A11:2010

EN 61029-2-9:2012 + A11:2013

EN 55014-1:2006+A1:2009+A2:2011

EN 55014-2:1997 + A1:2001 + A2:2008

EN 61000-3-2:2014

EN 61000-3-11:2000

EN 50581:2012



Winnenden, 2016-03-25

Alexander Krug / Managing Director
Pilnvarotais tehniskās dokumentācijas sastādīšanā.

Techtronic Industries GmbH
Max-Eyth-Straße 10, 71364 Winnenden, Germany

SIMBOLI



UZMANĪBU! BĪSTAMI!



Pirms jebkādiem darbiem, kas attiecas uz mašīnas apkopi, mašīnu noteikti vajag atvienot no kontaktligzdas.



Pirms sākt lietot instrumentu, lūdzu, izlasiet lietošanas pamācību.



Strādājot ar mašīnu, vienmēr jānēsā aizsargbrilles.



Nēsāt trokšņa slāpētāju!



Jāvalkā aizsargcimdi!



Raugieties, lai rokas vienmēr būtu ārpus zāģa diska zonas.



Šis instruments ir piemērots tikai darbam iekšējā. Sargāt instrumentu no lietus.



Nelūkot cieši lāzera starā.



Produkts atbilst lāzera 2.klasei saskaņā ar EN 60825-1:2007.



Elektroiekārtas nedrīkst izmest kopā ar sadzīves atkritumiem. Elektriskās un elektroniskās iekārtas ir jāsavāc atsevišķi un jānodod pārstrādes uzņēmumam, kas no tām atbrivosies dabai draudzīgā veidā. Meklējiet otrreizējās pārstrādes poligonus un savākšanas punktus vietējās pārvaldes iestādēs vai pie preces pārdevēja.



II aizsardzības klases elektroinstruments. Elektroinstruments, kuram aizsardzība pret elektrisko triecienu ir atkarīga ne tikai no pamata izolācijas, bet arī no tā, ka tiek piemēroti papildu aizsardzības pasākumi, piemēram, dubultā izolācija vai pastiprināta izolācija.

Aizsarga pieslēgšanai instrumenti nav paredzēti.



CE marķējums



UkrSEPRO atbilstības marķējums.



EurAsian atbilstības marķējums.



TECHNINIAI DUOMENYS	PS 216 L	PS 254 L
Traukiamasis kampinis apijovimo pjūklas *		
Produkto numeris	4522 03 02... 4522 06 02... ... 000001-999999	4522 09 02... 4522 12 02... ... 000001-999999
Vardinė imamoji galia	220-240 V, 50 Hz, S6(40%), 1500 W, 6,5 A	220-240 V, 50 Hz, S6(40%), 2000 W, 8,3 A
Sūkių skaičius laisva eiga	5000 min ⁻¹	4500 min ⁻¹
Pjovimo disko ø x gręžinio ø	216 x 30 mm	254 x 30 mm
Pjovimo disko storis	1,6 mm	1,8 mm
Maks. kirpimo našumas Istrižo pjūvio kampas horizontalioje plokštumoje 0°/ Nuokrypis 0° Istrižo pjūvio kampas horizontalioje plokštumoje 45°/ Nuokrypis 0° Istrižo pjūvio kampas horizontalioje plokštumoje 0°/ Nuokrypis 45° Istrižo pjūvio kampas horizontalioje plokštumoje 45°/ Nuokrypis 45°	65 x 305 mm 65 x 215 mm 36 x 305 mm 36 x 215 mm	90 x 305 mm 90 x 215 mm 50 x 305 mm 50 x 215 mm
Min. apdorojamos detalės matmenys	130 x 35 x 2,5 mm	130 x 35 x 2,5 mm
Prietaiso svoris įvertintas pagal EPTA 2003/01 tyrimų metodiką	16,7 kg	19,6 kg
Informacija apie keliamą triukšmą Vertės matuotos pagal EN 61029-2-9:2009. Įvertintas A įrenginio keliamo triukšmo lygis dažniausiai sudaro: Garso slėgio lygis (Paklaida K=3dB(A)) 99,2 dB (A) 96,7 dB (A) Garso galios lygis (Paklaida K=3dB(A)) 112,2 dB (A) 109,7 dB (A)		
Nešioti klausos apsaugines priemones!		
Informacija apie vibraciją Bendroji svyravimų reikšmė (trijų krypčių vektorių suma), nustatyta remiantis EN 61029-2-9:2009. Medienos pjovimas: Vibravimų emisijos reikšmė a _v 3,5 m/s ² 2,133 m/s ² Paklaida K= 1,5 m/s ² 1,5 m/s ²		



¹ PS Δ Traukiamasis kampinis apijovimo pjūklas

² S6-40% nurodo 4 min apkrovos ir 6 min laisvos eigos apkrovos profilį

DĖMESIO!

Instrukcijoje nurodyta svyravimų ribinė vertė yra išmatuota remiantis standartu EN 61029; ji gali būti naudojama keliems elektriniams instrumentams palyginti. Ji taikoma ir laikinai įvertinti svyravimų apkrovą.

Nurodyta svyravimų ribinė vertė yra taikoma pagrindinėse elektrinio instrumento naudojimo srityse. Svyravimų ribinė vertė gali skirtis naudojant elektrinį instrumentą kitose srityse, papildomai naudojant netinkamus elektrinius instrumentus arba juos nepakankamai techniškai prižiūrint. Dėl to viso darbo metu gali žymiai padidėti svyravimų apkrova.

Siekiant tiksliai nustatyti svyravimų apkrovą, būtina atsižvelgti ir į laikotarpį, kai įrenginys yra išjungtas arba įjungtas, tačiau faktiškai nenaudojamas. Dėl to viso darbo metu gali žymiai sumažėti svyravimų apkrova.

Siekiant apsaugoti vartotojus nuo svyravimo įtakos naudojamos papildomos saugos priemonės, pavyzdžiui, elektrinių darbo instrumentų techninė priežiūra, rankų šilumos palaikymas, darbo procesų organizavimas.

⚠ DĖMESIO!

Perskaitykite visas saugumo pastabas ir nurodymus. Jei nepaisysite žemiau pateiktų saugos nuorodų ir reikalavimų, gali trenkti elektros smūgis, kilti gaisras ir/arba galite sunkiai susižaloti arba sužaloti kitus asmenis.

Išsaugokite šias saugos nuorodas ir reikalavimus, kad ir ateityje galėtumėte jais pasinaudoti.

⚠ TRAUKIAMASIS KAMPINIS APIJOVIMO PJŪKLAS SAUGOS NURODYMAI

Nešioti klausos apsaugines priemones. Dėl didelio triukšmo poveikio gali būti pažeidžiama klausa.

Dirbdami su įrenginiu visada nešioti apsauginius akinius. Rekomenduotina nešioti apsaugines pirštines, tvirtus batus neslidžiu padu bei prijuostę.

Darbo metu kylančios dulksės dažnai kenkia sveikatai, todėl turėtų nepatekti į organizmą. Naudokite dulkių nusiurbimą, papildomai

nešioti tinkamą apsaugos nuo dulkių kaukę. Kruopščiai pašalinkite, pvz. nusiurbkite, nusėdusias dulkes.

Lietojiet aizsardzības cimdus!

Mes rekomenduojame, prieš pirmą kartą naudojant prietaisą, atidžiai perskaityti naudojimo instrukciją ir išklausti paaikškinimų apie praktinį naudojimą.

Užtikrinti, kad įrenginys stovėtų stabiliai (pvz., pritvirtinti prie darbatalio)

Pasirūpinti tvarka, kad ant grindų nesimėtų medžiagų atliekos: drožlės, nuopjovos.

Nenaudoti apgadintų ir deformuotų pjūklo diskų.

Draudžiama naudoti pjovimo diskus, kurie neatitinka šioje naudojimo instrukcijoje nurodytų žyminių duomenų.

Leidžiama naudoti tik tokius įrankius, kurie atitinka normą EN 847-1.

Negalima naudoti iš greitapjūvio plieno pagamintų pjovimo diskų.

Lietuviškai

Naudokite tik taisyklingai pagaląstus pjovimo diskus.

Pasirinkite pjaunamai medžiagai tinkamą pjovimo diską.

Būtina neviršyti ant pjovimo disko nurodyto maksimalaus sukūkių skaičiaus.

Jrankius transportuoti ir laikyti reikia tam tikslui pritaikytose dėžėse.

Pjovimo diskui pritvirtinti galima naudoti tik pridėdamas ir naudojimo vadove pavaizduotas įvares.

Nupjovimo pjūklą niekada nenaudokite kitokiems medžiagoms pjauti, nei tai nurodyta naudotojo vadove.

Diskinių pjūklų su gaubtu galima naudotis tik turint saugiai veikiančią ir techniškai prižiūretą apsauginį gaubtą. Apsauginis gaubtas turi automatiškai užsiblokuoti.

Atlikdami įžambius, įstrižus arba įžambius kombinuotus pjovimus, sureguliuokite slankiąją tvorelę taip, kad užtikrintumėte tinkamą atstumą nuo asmenų.

Nešalinti jokių pjovimo likučių ar kitų pjovimo detalių liekanų, jei mašina veikia, o pjūklą galvutė nėra pradiniame padėtyje.

Nekiškite rankų į veikiančio įrenginio pavojaus zoną.

Būtinai naudokite įrenginio saugos įtaisus.

Pastebėjus bet kokius mašinos, taip pat ir saugos įrenginių bei pjovimo disko gedimus, tai reikia tuojau pat pranešti už saugumą atsakingam asmeniui.

Draudžiama užfiksuoti atidarytą stumdomą apsauginį gaubtą.

Jei pjaunami objektai ilgi, juos tinkamai paremkite.

LED nekeiskite kita LED.

Nupjovimo pjūklą gabenkite tik už rankenos, užskleidę transportinį skląstį.

Pjaudami medieną, pjūklą prijunkite prie dulkių siurblio.

Šio prietaiso dulkių siurbimo funkcijos nenaudokite norėdami išsiurbti tokius daiktus kaip, pavyzdžiui, kietas ruošinio dalis arba vinis. Taip galite pažeisti siurbimo prietaisą.

LAZERIS

Nežiūrėkite į lazerio spindulį ir nekreipkite jo į kitus asmenis.

Nežiūrėkite į lazerį su optinėmis pagalbinėmis priemonėmis (binokliu, teleskopu).

Lazerio nekreipkite į atspindinčius paviršius.

Venkite ilgalaikės lazerio spinduliuotės. Lazeris gali skeisti stiprią spinduliuotę.

Įmontuoto lazerio nepakeiskite kito tipo lazeriu.

Taisyimo darbus gali atlikti tik įgalioti techninės priežiūros specialistai.

NAUDOJIMAS PAGAL PASKIRTĮ

Diskinis pjūklas su gaubtu naudojamas masyviai ir klijuotai medienai, kitoms panašioms į medį gamybinėms medžiagoms, aluminijai profilio, spalvotuosius metalus ir plastikui pjauti.

Apvalaus ar netaisyklingo skersinio pjūvio detalii, pavyzdžiui, malkų, pjaustyti negalima, kadangi pjaunant jų neįmanoma saugiai pritvirtinti. Pjaunant plokščias detales briauna žemyn reikia panaudoti tinkamą pagalbinę atramą apsaugai užtikrinti.

KITI PAVOJAI

Net ir pagal paskirtį naudojant produktą negalima visiškai išvengti kitų pavojų. Naudojant galimos šios rizikos, todėl naudotojas turėtų atkreipti dėmesį į šiuos dalykus:

- Norint nepažeisti klausos, reikia riboti naudojimo laiką ir dėvėti tinkamą klausos apsaugą.
- Naudotojas turėtų imtis priemonių, kad sumažintų vibracijos poveikį ir riboti naudojimo laiką.
- Būtina dėvėti kvėpavimo apsaugą, siekiant išvengti sveikatai keliamų pavojų, kylančių įkvėpus pjovimo metu atsiradusių dulkių.

ELEKTROS TINKLO JUNGTI

Jungti tik prie vienfazės kintamos elektros srovės ir tik į specifinių lentelėje nurodytų įtampos elektros tinklą. Konstrukcijos saugos klasė II, todėl galima jungti ir į lizdus be apsauginio kontakto.

Lauke esantys el. lizdai turi būti su gedimo srovės išjungikliais. Tai nurodyta Jūsų elektros įrenginio instaliacijos taisyklėse (FI, RCD, PRCD). Atsižvelkite į tai, naudodami prietaisą.

Kištuką į lizdą įstatykite, tik kai įrenginys išjungtas.

Maitinimo kabelis turi nebūti įrenginio poveikio srityje. Kabelį visada nuveskite iš galinės įrenginio pusės.

Kiekvieną kartą prieš naudojimą patikrinkite, ar ant prietaiso, maitinimo kabelio, akumuliatoriaus bloko prailginimo kabelio ir kištuko nėra pažeidimų ir senėjimo požymių. Pažeistas dalis leidžiama taisyti tik specialistams.

Dėl srovės pertrūkio įtampa pradeda svyruoti bei gali turėti įtakos kitiems prie tos pačios energijos grandinės prijungtiems elektros prietaisams. Kad sumažintumėte įtampos svyravimus, gaminį jungkite į maitinimo tinklą, kurio tariamoji varža yra 0,3 Ω.

Dėl išsamesnės informacijos kreipkitės į elektros energijos tiekėją.

TECHNINIS APTARNAVIMAS

Prieš atlikdami bet kokius įrenginyje, ištraukite iš lizdo kištuką.

Jei elektrinio įrankio prijungimo laidas pažeistas, jį reikia pakeisti specialiu prijungimo laidu, kurį galite užsisakyti klientų aptarnavimo skyriuje.

Prieš montuodami ar nuimdami pjūklą geležtę, įrankį nuo elektros maitinimo šaltinio būtinai atjunkite.

Pakeisti susidėvėjusią stalo plokštę.

Sausu skudurėliu nuvalykite prietaisą ir apsauginį įrenginį.

Įrenginio vėdinimo angos visada turi būti švarios.

Naudokite tik AEG priedus ir atsargines dalis. Dalis, kurių keitimas neaprašytas, leidžiama keisti tik AEG klientų aptarnavimo skyriams (žr. garantiją/klientų aptarnavimo skyrių adresus brošiūroje).

Jei reikia, nurodant įrenginio tipą bei specifinių lentelėje esančių numerį, iš klientų aptarnavimo skyriaus arba tiesiai iš Technonic Industries GmbH, Max-Eyth-Straße 10, 71364 Winnenden, Germany, galima užsisakyti prietaiso surinkimo brežinius.



Liet

CE ATITIKTIES PAREIŠKIMAS

Prisiimdami visą atsakomybę pareiškiame, kad gaminyje, aprašytame „Techniniuose duomenyse“, atitinka taikomus reikalavimus, išdėstytus direktyvose 2011/65/EU (RoHS) 2006/42/EB 2014/30/EU ir buvo taikyti šie darnieji standartai 0 EN 61029-1:2009 + A11:2010 EN 61029-2-9:2012 + A11:2013 EN 55014-1:2006+A1:2009+A2:2011 EN 55014-2:1997 + A1:2001 + A2:2008 EN 61000-3-2:2014 EN 61000-3-11:2000 EN 50581:2012



Winnenden, 2016-03-25

Alexander Krug / Managing Director
Įgaliotas parengti techninius dokumentus.

Techtronic Industries GmbH
Max-Eyth-Straße 10, 71364 Winnenden, Germany

SIMBOLIAI



DĖMESIO! ĮSPĖJIMAS! PAVOJUS!



Prieš atlikdami bet kokius įrenginyje, ištraukite iš lizdo kištuką.



Prieš pradėdami dirbti su prietaisu, atidžiai perskaitykite jo naudojimo instrukciją.



Dirbdami su įrenginiu visada nešiokite apsauginius akinius.



Nešioti klausos apsauginės priemonės!



Lietojiet aizsardzības cimdus!



Rankas laikyti kuo toliau nuo diskinio pjūklo.



Prietaisą galima naudoti tik patalpose, saugoti prietaisą nuo lietaus.



Nežiūrėkite į lazerio spindulį.



Gaminyje atitinka 2 lazerio klasę pagal EN 60825-1:2007.



Elektros prietaisų negalima išmesti kartu su buitinėmis atliekomis. Būtina rūšiuoti elektros ir elektroninius prietaisus ir atiduoti į atliekų perdirbimo centrą, kad jie būtų utilizuoti neturiant aplinkos. Informacijos apie perdirbimo centrus ir atliekų surinkimo įstaigas teiraukitės vietos įstaigoje arba prekybininko.



II apsaugos klasės elektrinis įrankis. Šio elektrinio įrankio apsauga nuo elektros smūgio priklauso ne tik nuo pagrindinės izoliacijos, bet ir nuo to, kaip naudojamos papildomos apsauginės priemonės, tokios kaip dviguba arba pagerinta izoliacija.

Nėra jokio prietaiso apsauginio laido pajungimui.



CE ženklas



„UkrSEPRO“ atitikties ženklas.



„EurAsian“ atitikties ženklas.



TEHNILISED ANDMED Nurgasaag *	PS 216 L	PS 254 L
Tootmisnumber	4522 03 02... 4522 06 02... ... 000001-999999	4522 09 02... 4522 12 02... ... 000001-999999
Nimitarbimine	220-240 V, 50 HZ, S6(40%), 1500 W, 6,5 A	220-240 V, 50 HZ, S6(40%), 2000 W, 8,3 A
Pöörlemiskiirus tühijooksul	5000 min ⁻¹	4500 min ⁻¹
Saelehe ø x puuri ø	216 x 30 mm	254 x 30 mm
Saelehe paksus	1,6 mm	1,8 mm
Löikevõimsus max Kaldenurk horisontaalne 0°/ Kalle 0° Kaldenurk horisontaalne 45°/ Kalle 0° Kaldenurk horisontaalne 0°/ Kalle 45° Kaldenurk horisontaalne 45°/ Kalle 45°	65 x 305 mm 65 x 215 mm 36 x 305 mm 36 x 215 mm	90 x 305 mm 90 x 215 mm 50 x 305 mm 50x 215 mm
Min. tooriku mõõtmed	130 x 35 x 2,5 mm	130 x 35 x 2,5 mm
Kaal vastavalt EPTA-protseduurile 01/2003	16,7 kg	19,6 kg
Müra andmed Mööteväärtsused on kindlaks tehtud vastavalt normile EN 61029-2-9:2009. Seadme tüüpiline hinnanguline (müratase: Helirõhutase (Määramatus K=3dB(A)) Helivõimsuse tase (Määramatus K=3dB(A)) Kandke kaitseks kõrvaklappe! Vibratsiooni andmed Vibratsiooni koguväärtus (kolme suuna vektorsummöödetud EN 61029 järgi. Puidu saagimine: Vibratsiooni emissiooni väärtus a _v Määramatus K=	99,2 dB (A) 112,2 dB (A) 3,5 m/s ² 1,5 m/s ²	96,7 dB (A) 109,7 dB (A) 2,133 m/s ² 1,5 m/s ²



¹ PS \triangleq Nurgasaag

² 56-40% tähistab koormusprofiili 4 min koormust ja 6 min puhkeagea

TÄHELEPANU!

Antud juhendis toodud vonketase on mõõdetud EN 61029 standardile vastava mõõtesüsteemiga ning seda võib kasutada erinevate elektriseadmete omavahelises võrdlemises. Antud näitaja sobib ka esmaseks vonkekoormuse hindamiseks.

Antud vonketase kehtib elektriseadme kasutamisel sihtotstarbeliselt. Kui elektriseadet kasutatakse muudel otstarvetel, muude tööriistadega või seda ei hooldata piisavalt võib vonketase siintoodust erineda. Eeltoodu võib vonketaset märkimisväärselt tõsta terves töökeskkonnas.

Vonketaseme täpseks hindamiseks tuleks arvestada ka aega, mil seade on välja lülitatud või on küll sisse lülitatud, kuid ei ole otseselt kasutuses. See võib märgatavalt vähendada kogu töökeskkonna vonketaset.

Rakendage spetsiaalseid ettevaatusabinõusid töötajate suhtes, kes puutuvad töö käigus palju kokku vibratsiooniga. Nendeks abinõudeks võivad olla, näiteks: elektri- ja tööseadmete korraline hooldus, käte soojendamine, töövoo parem organiseerimine.

⚠ TÄHELEPANU!

Lugege kõik ohutusnõuanded ja juhendid läbi. Ohutusnõuete ja juhiste eiramise tagajärjeks võib olla elektrilöökk, tulekahju ja/või rasked vigastused.

Hoidke kõik ohutusnõuded ja juhised edasiseks kasutamiseks hoolikalt alles.

⚠ NURGASAAG OHUTUSJUHISED

Kandke kaitseks kõrvaklappe. Müra toime võib põhjustada kuulmiskadud.

Masinaga töötades kandke alati kaitseprille. Soovitatavad on kaitsekindad, tugevad ja libisemiskindlad jalanõud ning põll.

Töötamisel tekkiv tolm on sageli tervistkahjustav ning ei tohiks organismi sattuda. Kasutage tolmu äraimemist ning kandke täiendavalt sobivat tolmukaitsemaski. Kogunenud tolm eemaldage põhjalikult, nt imemisega.

Kanda kaitsekindaid!

Enne seadme esmakordset kasutamist on soovitatav kasutamishühendit hoolikalt lugeda ning lasta endale praktilist käsitsemist tutvustada.

Kontrollida tuleb, et seade oleks alati stabiilses asendis (nt tööpingile kinnitatud).

Pörand tuleb hoida materjalijääkidest, nt saepurust ja jääklotsidest puhastada.

Kahjustatud või deformeerunud saekettaid ei tohi kasutada.

Saelehti, mis ei vasta käesoleva kasutamishühendi karakteristikutele, ei tohi kasutada.

Kasutada tohib vaid tarkivuid, mis vastavad standardile EN 847-1.

Mitte kasutada kiirliõuketerasest valmistatud saelehti.

Kasutada ainult nõuetekohaselt teritatud saelehti.

Lõigatava materjali jaoks valida välja sobiv saeleht.

Pidada kinni saelehele märgitud maksimaalsest pöörete arvust.

Seedet tuleb transportida ja hoida sobivas pakendis;

Kasutada saelehe kinnitamiseks ainult kaasasolevat ja kasutusjuhendis joonisel näidatud äärikut.

Kappsaaigi ei tohi kasutada kunagi muu, kui kasutusjuhendis kirjas oleva materjali lõikamiseks.

Järkamis- ja miisuusaigi tohib kasutada ainult siis, kui kaitsekate on töökorras ja hästi hooldatud. Kaitsekate peab automaatselt tagasi pöörduma.

Kald- või liitkaldloigete teostamisel reguleerige liugtöket, et tagada õige vahemaa teraga.

Sel ajal, kui seade töötab ja saepea ei ole puhkeasendis, ei tohi saagimisjääke ega materjalitükke saagimispiirkonnast eemaldada!

Ärge pange kätt töötava masina ohupiirkonda.

Kasutage tingimata masina kaitseseadist.

Masina, kaitseseadiste või saelehtede vigadest tuleb kohe nende avastamisel teavitada ohutuse eest vastutavat isikut.

Pendelkaitsekate ei tohi avatud olekus kinnitada.

Pikad materjalid tuleb sobival viisil toestada.

Ärge vahetage LEDi teise vastu.

Kappsaaigi transportida ainult käepideme juures fikseeritud transportimiskaitsega.

Ühendage saag puidu saagimisel tolmuimeja külge.

Ärge kasutage seadme tolmu äratõmbesüsteemi tolmuimejana, et esemeid nagu nt kõvasid toorikutükke või naelu ära imeda. Äraimemisseeadis saab seeläbi kahjustada.

LASER

Ärge vaadake laserkiirde ja ärge suunage seda teiste isikute poole.

Ärge vaadake laserkiirde optilisi instrumente (binokkel, teleskoop) kasutades.

Ärge suunake laserit peegeldavate pindadele.

Vältige kokkupuudet laserkiirgusega. Laser võib eraldada ohtlikku kiirgust.

Ärge vahetage seadmesse integreeritud laserit välja mõnda teist tüüpi laseri vastu.

Remonti tohivad teostada ainult volitatud teenindustehnikud.

KASUTAMINE VASTAVALT OTSTARBELE

Järkamis- ja miisuusaag on kasutatav massiivpuidu, liimpuidu, puidusarnaste materjalide, alumiiniumprofiilidesse, värviline metall ja plasti saagimiseks.

Ümara või ebakorrapärase ristlõikega detaile (nt küttepuid) ei tohi saagida, sest need ei püsi saagimisel kindlalt paigal. Kui õhukesti lamedaid detaile saetakse nii, et need on serva peal püsti, tuleb need ohutu töötamise tagamiseks toestada sobiva abitõkisega.

JÄÄKOHUD

Isegi toote nõuetekohase kasutamise korral pole võimalik jääkohte täielikult välistada. Kasutamisel võib esineda järgmisi riske, mistõttu peaks operaator järgnevat järgima:

- Kuulmekahjustuste vältimiseks tuleb ekspositsiooniaega piirata ja sobivat kuulmekaitset kanda.
- Operaator peaks rakendama meetmeid vibratsiooni mõjude vähendamiseks ja ekspositsiooniaja piiramiseks.
- Terviseriskide vältimiseks, mis võivad esineda saetolmu sissehingamisel, tuleb kanda respiraatorit.

VÕRKU ÜHENDAMINE

Ühendage ainult ühefaasilise vahelduvvooluga ning ainult andmesildil toodud võrgupingega. Ühendada on võimalik ka kaitsekontaktita pistikupesadesse, kuna nende konstruktsioon vastab kaitseklassile II.

Välitingimustes asuvad pistikupesad peavad olema varustatud rikkevoolukaitseülilülititega (FI, RCD, PRCD). Seda nõutakse Teie elektriseadme installeerimiseeskirjas. Palun pidage sellest meie seadme kasutamisel kinni.

Masin peab pistikupesasse ühendamisel olema alati väljalülitatud seisundis.

Hoidke ühendusjuhe alati masina tööpiirkonnast eemal. Vedage juhe alati masinast tahapoole.

Enne iga kasutamist kontrollige seadet, ühendusjuhtmeid, akupaketi pikendusjuhtmeid ja pistikuid, et poleks kahjustusi ega materjali väsimist. Kahjustatud osi laske parandada ainult spetsialistil.

Voolutõuke põhjustavad pingekoikumisi ja võivad mõjutada samasse toiteahelasse ühendatud elektriseadmete tööd. Ühendage seade toitevõrku, mille näivtakistus on 0,3 Ω, et pingekoikumisi minimeerida.

Lisateabe saamiseks võtke ühendust oma elektritarbijaga.

HOOLDUS

Enne kõiki töid masina kallal tõmmake pistik pistikupesast välja.

Kui elektritööriista ühendusjuhe on kahjustatud, siis tuleb see spetsiaalselt ettevalmistatud ühendusjuhtmega asendada, mis on saadaval klienditeenindusorganisatsiooni kaudu.

Enne saeketta kinnitamist või eemaldamist veenduge, et sae toide on lahti ühendatud.

Kulunud lauakaitse tuleb asendada.

Puhastage seadet ja kaitseseadist kuiva lapiga.

Hoidke masina õhutuspilud alati puhtad.

Kasutage ainult AEG tarvikuid ja tagavaraosi. Detailid, mille väljavahetamist pole kirjeldatud, laske välja vahetada AEG kliendi-teeninduspunkti (vaadake brošüüri garantii / klienditeeninduste aadressid).

Vajaduse korral võite tellida seadme läbilõikejoonise, näidates ära masina tüübi ja andmesildil oleva numbr. Selleks pöörduge klienditeeninduspunkti või otse: Techtronic Industries GmbH, Max-Eyth-Straße 10, 71364 Winnenden, Germany.



Est

EÜ VASTAVUSAVALDUS

Kinnitame oma ainuvastutusel, et „Tehniliste andmete“ all kirjeldatud toode vastab direktiivide kõigile asjakohastele sätetele 2011/65/EU (RoHS)
2006/42/EÜ
2014/30/EÜ
ning täidetud on järgmiste ühtlustatud standardite nõuded.
EN 61029-1:2009 + A11:2010
EN 61029-2-9:2012 + A11:2013
EN 55014-1:2006+A1:2009+A2:2011
EN 55014-2:1997 + A1:2001 + A2:2008
EN 61000-3-2:2014
EN 61000-3-11:2000
EN 50581:2012



Winnenden, 2016-03-25

Alexander Krug / Managing Director
On volitatud koostama tehnilist dokumentatsiooni.

Techtronic Industries GmbH
Max-Eyth-Straße 10, 71364 Winnenden, Germany

SÜMBOLID



ETTEVAATUST! TÄHELEPANU! OHUD!



Enne kõiki töid masina kallal tõmmake pistik pistikupesast välja.



Palun lugege enne käikulaskmist kasutamisinguhend hoolikalt läbi.



Masinaga töötades kandke alati kaitseprille.



Kandke kaitseks kõrvaklappe!



Kanda kaitsekindaid!



Mitte kunagi ei tohi panna käsi saeketta piirkonda.



Seade sobib ainult ruumides kasutamiseks, ärge jätke seadet vihma kätte.



Ärge vaadake laserkiirde.



See toode vastab laseri klassile 2 standardi EN 60825-1:2007 alusel.



Elektriseadmeid ei tohi utiliseerida koos majapidamisprügiga. Elektrilised ja elektroonilised seadmed tuleb eraldi kokku koguda ning keskkonnasõbralikuks utiliseerimiseks vastavas käitlusettevõttes ära anda. Küsige kohalikest pädevatest ametitest või edasimüüjalt käitlusjaamade ja kogumispunktide kohta järele.



Kaitseklassi II elektritööriist. Elektritööriist, mille puhul ei sõltu kaitse mitte üksnes baasisolatsioonist, vaid ka täiendavate kaitsemeetmete nagu topeltisolatsiooni või tugevdatud isolatsiooni kohaldamisest.

Mehhanism kaitsejuhi ühendamiseks puudub.



CE-märk



UkrSEPRO vastavusmärk.



Euraasia vastavusmärk.



ТЕХНИЧЕСКИЕ ДАННЫЕ	PS 216 L	PS 254 L
Торцовочная пила *		
Серийный номер изделия	4522 03 02... 4522 06 02... ... 000001-999999	4522 09 02... 4522 12 02... ... 000001-999999
Номинальная потребляемая мощность	220-240 V, 50 Hz, S6(40%), 1500 W, 6,5 A	220-240 V, 50 Hz, S6(40%), 2000 W, 8,3 A
Число оборотов без нагрузки	5000 min ⁻¹	4500 min ⁻¹
Диаметр диска пилы x диаметр отверстия	216 x 30 mm	254 x 30 mm
Толщина пильного диска	1,6 mm	1,8 mm
Ноперечное сечение заготовки макс. Скос 0° / Наклон 0° Скос 45° / Наклон 0° Скос 0° / Наклон 45° Скос 45° / Наклон 45°	65 x 305 mm 65 x 215 mm 36 x 305 mm 36 x 215 mm	90 x 305 mm 90 x 215 mm 50 x 305 mm 50 x 215 mm
Минимальные размеры обрабатываемой детали	130 x 35 x 2,5 mm	130 x 35 x 2,5 mm
Вес согласно процедуре EPTA 01/2003	16,7 kg	19,6 kg
Информация по шумам Значения замерялись в соответствии со стандартом EN 61029-2-9:2009. Уровень шума прибора, определенный по показателю A, обычно составляет:		
Уровень звукового давления (Небезопасность K=3dB(A))	99,2 dB (A)	96,7 dB (A)
Уровень звуковой мощности (Небезопасность K=3dB(A))	112,2 dB (A)	109,7 dB (A)
Пользуйтесь приспособлениями для защиты слуха.		
Информация по вибрации Общие значения вибрации (векторная сумма трех направлений) определены в соответствии с EN 61029-2-9:2009.		
Пиление дерева: Значение вибрационной эмиссии a _h	3,5 m/s ²	2,133 m/s ²
Небезопасность K=	1,5 m/s ²	1,5 m/s ²

¹ PS ≙ Торцовочная пила

² S6-40% обозначает профиль загрузки с нагрузкой 4 мин. и временем простоя 6 мин.

ВНИМАНИЕ!

Указанный в настоящем руководстве уровень вибрации измерен в соответствии с технологией измерения, установленной стандартом EN 61029 и может использоваться для сравнения электроинструментов друг с другом. Он также подходит для предварительной оценки вибрационной нагрузки.

Указанный уровень вибрации представляет основные виды использования электроинструмента. Но если электроинструмент используется для других целей, используемый инструмент отклоняется от указанного или техническое обслуживание было недостаточным, то уровень вибрации может отклоняться от указанного. В этом случае вибрационная нагрузка в течение всего периода работы значительно увеличивается.

Для точной оценки вибрационной нагрузки необходимо также учитывать время, в течение которого прибор отключен или включен, но фактически не используется. В этом случае вибрационная нагрузка в течение всего периода работы может существенно уменьшиться.

Установите дополнительные меры безопасности для защиты пользователя от воздействия вибрации, например: техническое обслуживание электроинструмента и используемого инструмента, поддержание рук в теплом состоянии, организация рабочих процессов.

ВНИМАНИЕ!

Ознакомьтесь со всеми указаниями по безопасности и инструкциями. Упущения, допущенные при не соблюдении указаний и инструкций по технике безопасности, могут стать причиной электрического поражения, пожара и тяжелых травм.
Сохраняйте эти инструкции и указания для будущего использования.

УКАЗАНИЯ ПО ТЕХНИКЕ БЕЗОПАСНОСТИ ДЛЯ ТОРЦОВОЧНОЙ ПИЛЫ

Используйте наушники! Воздействие шума может привести к потере слуха.

При работе с инструментом всегда надевайте защитные очки. Рекомендуется надевать перчатки, прочные нескользящие ботинки и фартук.

Пыль, образующаяся при работе с данным инструментом, может быть вредна для здоровья и попасть на тело. Пользуйтесь системой пылеудаления и надевайте подходящую защитную маску. Тщательно убирайте скапливающуюся пыль (напр. пылесосом).

Надевать защитные перчатки!

Прежде чем пользоваться инструментом, пожалуйста, прочтите инструкцию. Если возможно попросите продемонстрировать как работать с инструментом.

Удостоверьтесь в том, что машина всегда имеет надежное положение (например, закреплена на верстаке).

Удаляйте с пола остатки материала, например, опилки и стружку.

Русский

Не используйте поврежденные или деформированные пильные диски.

Не применяйте диски, несоответствующих параметрам, приведенным в настоящей инструкции по эксплуатации.

Используйте только тот инструмент, который соответствует требованиям EN 847-1.

Не применяйте какие-либо пильные диски из быстрорежущей стали.

Применяйте только пильные диски, заточенные надлежащим образом.

Выберите пригодное для разрезаемого материала пильное полотно.

Соблюдайте максимальное число оборотов, указанное на пильном диске.

Инструменты должны перевозиться и храниться в подходящем контейнере.

Применяйте только фланец для крепления пильного диска, изображенный в инструкции по эксплуатации.

Никогда не используйте торцовую пилу для резания иного материала, чем указанного в инструкции по эксплуатации.

Используйте торцевую пилу только с надежно функционирующим защитным кожухом, надлежащим образом подвергаемым работам по техобслуживанию.

Защитный кожух должен автоматически возвращаться в прежнее положение.

При выполнении срезов под углом в сорок пять градусов, скосов кромки или сложных наклонных срезов отрегулируйте скользящий ограничитель, чтобы установить необходимый зазор до лезвия.

Не удалять остатки стружки или иные части заготовок из области распиловки, если машина работает, а планшайба круглой пилы не находится в нейтральном положении.

Никогда не касайтесь опасной режущей зоны в момент работы.

Всегда пользуйтесь защитной крышкой на инструменте.

В случае обнаружения дефектов в станке, включая защитное устройство или пильные полотна, сообщите об этом немедленно ответственному лицу.

Не фиксируйте поворотное защитное ограждение.

Длинные заготовки соответственно подоприте.

Не заменяйте светодиод на другой.

Торцовую пилу транспортируйте только с фиксированным транспортным предохранителем на ручке.

При пилении древесины используйте пилу в сочетании с пылесосом.

Не используйте пылеотсасывающее устройство на данном приборе в качестве пылесоса для поглощения различных предметов, например, твердых частиц деталей или игл. Это может повредить пылеотсасывающее устройство.

ЛАЗЕР

Не смотреть на лазерный лучи и не направлять на других людей.

Не рассматривать лазер с помощью оптических приборов (бинокль, телескоп).

Не направлять лазер на отражающие поверхности.

Не подвергаться лазерному излучению. Лазер может испускать опасное излучение.

Не меняйте встроенный лазер на лазер другого типа.

Ремонт должен выполняться только авторизованными сервисными техниками.

ИСПОЛЬЗОВАНИЕ

Торцевые пилы используются для распиливания массивов дерева, проклеенной древесины, деревоподобных, алюминиевых профилей, цветной металл и синтетических материалов.

Распиловка заготовок с круглым или неправильным поперечным сечением (напр., дров) запрещена, так как при распиловке их нельзя надежно удерживать. При распиловке плоских заготовок по ребру для надежного направления следует использовать подходящий дополнительный упор.

ОСТАТОЧНЫЕ ОПАСНОСТИ

Даже при надлежащем использовании изделия невозможно полностью исключить остаточные опасности. При использовании могут возникать указанные ниже риски, поэтому пользователь должен соблюдать следующие пункты:

- Чтобы предотвратить повреждения органов слуха, необходимо ограничить время экспозиции и использовать подходящие средства защиты.
- Пользователь должен принять меры для сокращения воздействия вибрации и ограничения времени экспозиции.
- Для предотвращения риска для здоровья, который может возникнуть из-за вдыхания пыли, образующейся при распилке, необходимо использовать респиратор.



ПОДКЛЮЧЕНИЕ К ЭЛЕКТРОСЕТИ

Подсоединять только к однофазной сети переменного тока с напряжением, соответствующим указанному на инструменте. Электроинструмент имеет второй класс защиты, что позволяет подключать его к розеткам электропитания без заземляющего вывода.

Электроприборы, используемые во многих различных местах, в том числе на открытом воздухе, должны подключаться через устройство, предотвращающее резкое повышение напряжения (FI, RCD, PRCD).

Вставляйте вилку в розетку только при выключенном инструменте.

Держите силовой провод вне рабочей зоны инструмента. Всегда прокладывайте кабель за спиной.

Перед включением проверьте инструмент, кабель и вилку на предмет повреждений или износа. Ремонт может производиться только уполномоченными Сервисными центрами

Резкое увеличение нагрузки приводит к флуктуации напряжения, что может повлиять на работу других электроприборов, подключенных к данной линии питания. Подключите устройство к источнику питания с полным сопротивлением, равным 0,3 Ω, для минимизации колебаний напряжения.

За подробными разъяснениями обращайтесь к поставщику электроэнергии.

ОБСЛУЖИВАНИЕ

Перед выполнением каких-либо работ по обслуживанию инструмента всегда вынимайте вилку из розетки.

В случае повреждения сетевого кабеля электрического инструмента необходимо заменить его в авторизованном сервисном центре.

Отключите инструмент от питающей сети перед установкой или снятием режущего полотна.

Заменяйте изношенные прокладки, укладываемые на стол.

Очищать прибор и защитное устройство с помощью сухой салфетки.

Всегда держите охлаждающие отверстия чистыми.

Пользуйтесь аксессуарами и запасными частями только фирмы AEG. В случае возникновения необходимости в замене, которая не была описана, пожалуйста, обращайтесь на один из сервисных центров (см. список наших гарантийных/сервисных организаций). При необходимости может быть заказан чертеж инструмента с трехмерным изображением деталей. Пожалуйста, укажите номер и тип инструмента и закажите чертеж у Ваших местных агентов или непосредственно у Techtronic Industries GmbH, Max-Eyth-Straße 10, 71364 Winnenden, Germany.



LASER RADIATION
CLASS II LASER PRODUCT
CE EN60825-1:2007
EN60825-1:2007

Продукт соответствует классу лазера 2 согласно EN 60825-1:2007.

Электрические устройства нельзя утилизировать вместе с бытовым мусором. Электрические и электронные устройства следует собирать отдельно и сдавать в специализированную утилизирующую компанию для утилизации в соответствии с нормами охраны окружающей среды. Сведения о центрах вторичной переработки и пунктах сбора можно получить в местных органах власти или у вашего специализированного дилера.

ДЕКЛАРАЦИЯ О СООТВЕТСТВИИ СТАНДАРТАМ ЕС

Мы несем исключительную ответственность за то, что изделие, описанное в разделе «Техническая информация» соответствует всем применимым положениям директив 2011/65/EU (RoHS)

2006/42/EC

2014/30/EU

а также следующим согласованным стандартам Ч

EN 61029-1:2009 + A11:2010

EN 61029-2-9:2012 + A11:2013

EN 55014-1:2006+A1:2009+A2:2011

EN 55014-2:1997 + A1:2001 + A2:2008

EN 61000-3-2:2014

EN 61000-3-11:2000

EN 50581:2012



Winnenden, 2016-03-25

Alexander Krug / Managing Director

Уполномочен на составление технической документации.

Techtronic Industries GmbH

Max-Eyth-Straße 10, 71364 Winnenden, Germany

СИМВОЛЫ



ВНИМАНИЕ! ПРЕДУПРЕЖДЕНИЕ! ОПАСНОСТЬ!



Перед выполнением каких-либо работ по обслуживанию инструмента всегда вынимайте вилку из розетки.



Пожалуйста, внимательно прочтите инструкцию по использованию перед началом любых операций с инструментом.



При работе с инструментом всегда надевайте защитные очки.



Пользуйтесь приспособлениями для защиты слуха.



Надевать защитные перчатки!



Никогда не протягивайте руки в область пыльного полотна.



Устройство может использоваться только внутри помещений. Не допускается оставлять устройство под дождем.



Не смотреть на лазерный луч.



Электроинструмент с классом защиты II.

Электроинструмент, в котором защита от электрического удара зависит не только от основной изоляции, но и от того, что принимаются дополнительные защитные меры, такие как двойная изоляция или усиленная изоляция.

Нет устройства для подключения защитного провода.



Знак СЕ



TR 066

Знак UkrSEPRO Соответствия



Сертификат Соответствия

No. TC RU C-DE r186, B, 00224

Срок действия Сертификата Соответствия

по 23.06.2020

ООО «Ручные электрические машины. Сертификация»

141400, Россия, Московская область, Химки, ул.

Ленинградская, дом 29

Транспортировка:

Категорически не допускается падение и любые механические воздействия на упаковку при транспортировке.

При разгрузке/погрузке не допускается использование любого вида техники, работающей по принципу зажима упаковки.

Хранение:

Необходимо хранить в сухом месте.

Необходимо хранить вдали от источников повышенных температур и воздействия солнечных лучей.

При хранении необходимо избегать резкого перепада температур.

Хранение без упаковки не допускается.

Срок службы изделия:

Срок службы изделия составляет 5 лет.

Не рекомендуется к эксплуатации по истечении 5 лет хранения с даты изготовления без предварительной проверки.

Дата изготовления (код даты)

отштампован на поверхности корпуса изделия.

Пример:

A2015, где 2015 - год изготовления

A - месяц изготовления

Определить месяц изготовления можно согласно приведенной ниже таблице.

A - Январь	G - Июль
B - Февраль	H - Август
C - Март	J - Сентябрь
D - Апрель	K - Октябрь
E - Май	L - Ноябрь
F - Июнь	M - Декабрь

Тектроник Индастриз ГмбХ
Германия, 71364, Винненден,
ул. Макс-Ай-Штрассе, 10
Сделано в КНР

Русский

ТЕХНИЧЕСКИ ДАННИ	PS 216 L	PS 254 L
Циркуляр с циркулярни диска режещи под ъгъл „Mitresaw“ *		
Производствен номер	4522 03 02... 4522 06 02... ... 000001-999999	4522 09 02... 4522 12 02... ... 000001-999999
Номинална консумирана мощност	220-240 V, 50 HZ, S6(40%), 1500 W, 6,5 A	220-240 V, 50 HZ, S6(40%), 2000 W, 8,3 A
Обороти на празен ход	5000 min ⁻¹	4500 min ⁻¹
Ø на режещия диск x Ø на отвора	216 x 30 mm	254 x 30 mm
Дебелина на режещия диск	1,6 mm	1,8 mm
Макс. капацитет на рязане Наклон хоризонтално 0°/ Наклон 0° Наклон хоризонтално 45°/ Наклон 0° Наклон хоризонтално 0°/ Наклон 45° Наклон хоризонтално 45°/ Наклон 45°	65 x 305 mm 65 x 215 mm 36 x 305 mm 36 x 215 mm	90 x 305 mm 90 x 215 mm 50 x 305 mm 50x 215 mm
Мин. размери на заготовката	130 x 35 x 2,5 mm	130 x 35 x 2,5 mm
Тегло съгласно процедурата EPTA 01/2003	16,7 kg	19,6 kg
Информация за шума Измерените стойности са получени съобразно EN 61029-2-9:2009. Оцененото с А ниво на шума на уреда е съответно: Равнище на звуковото налягане (Несигурност K=3dB(A)) Равнище на мощността на звука (Несигурност K=3dB(A))	99,2 dB (A) 112,2 dB (A)	96,7 dB (A) 109,7 dB (A)
Да се носи предпазно средство за слуха! Информация за вибрациите Общите стойности на вибрациите (векторна сума на три посоки) са определени в съответствие с EN 61029-2-9:2009. Рязане на дърво: Стойност на емисии на вибрациите a _v Несигурност K=	3,5 m/s ² 1,5 m/s ²	2,133 m/s ² 1,5 m/s ²

¹ PS ≙ Циркуляр с циркулярни диска режещи под ъгъл „Mitresaw“

² S6-40% показва диаграма на натоварване от 4 минути натоварване и 6 минути престой.

ВНИМАНИЕ!

Посоченото в тези инструкции ниво на вибрациите е измерено в съответствие със стандартизиран в EN 61029 измервателен метод и може да се използва за сравнение на електрически инструменти помежду им. Подходящ е и за временна оценка на вибрационното натоварване.

Посоченото ниво на вибрациите представя основните приложения на електрическия инструмент. Ако обаче електрическият инструмент се използва с друго предназначение, с различни сменяеми инструменти или при недостатъчна техническа поддръжка, нивото на вибрациите може да е различно. Това чувствително може да увеличи вибрационното натоварване по време на целия работен цикъл.

За точната оценка на вибрационното натоварване трябва да се вземат предвид и периодите от време, в които уредът е изключен или работи, но в действителност не се използва. Това чувствително може да намали вибрационното натоварване по време на целия работен цикъл.

Определете допълнителни мерки по техника на безопасност в защита на обслужващия работник от въздействието на вибрациите като например: техническа поддръжка на електрическия инструмент и сменяемите инструменти, поддръжане на ръцете топли, организация на работния цикъл.

ВНИМАНИЕ!

Прочетете указанията за безопасност и съветите.

Пропуски при спазването на указанията и на инструкциите за безопасност могат да доведат до токов удар, пожар и/или тежки наранявания.

Запазете всички указания и инструкции за безопасност за бъдещето.

ИНСТРУКЦИИ ЗА БЕЗОПАСНОСТ НА ЦИРКУЛЯР С ЦИРКУЛЯРНИ ДИСКА РЕЖЕЩИ ПОД ЪГЪЛ „MITRESAW“

Носете средство за защита на слуха. Шумът може да доведе до загуба на слуха.

При работа с машината винаги носете предпазни очила. Препоръчват се също така предпазни ръкавици, здрави и нехлъзгави се обувки, както и престилка.

При работа на открито или когато в машината могат да попаднат влага или прах, се препоръчва уредът да се свързва чрез защитен прекъсвач за утечен ток с максимално 30 mA ток на задействане.

Да се носят предпазни ръкавици!

Препоръка: преди първото използване на уреда внимателно прочетете упътването за експлоатация и помолете да Ви инструктират как на практика се работи с уреда.

Уверете се, че машината винаги е стабилно разположена (например е закрепена за тезгях).

Почиствайте пода от остатъци от материал - например стърготини и остатъци от рязането.

Не използвайте листове на трион, които са повредени или деформирани.



БЪЛ

Режещи дискове, които не отговарят на параметрите в настоящето упътване за експлоатация, не бива да се използват. Използвайте само инструменти, които отговарят на EN 847-1.

Да не се използват режещи дискове, изработени от бързорежеща стомана.

Да се използват само правилно заточени режещи дискове.

Изберете режещ диск, подходящ за материала, който ще се реже.

Да се спазва максималната честота на въртене, посочена на режещия диск.

Инструментите трябва да бъдат транспортирани и съхранявани в подходяща кутия;

За закрепване на режещия диск да се използват само фланците, които са приложени и показани в упътването за експлоатация.

Отрезната машина за заглаждане на чела да не се използва за рязане на материали, различни от тези, посочени в упътването за експлоатация.

Използвайте триона за дърво само със сигурно функциониращ и добре поддържан предпазен капак. Предпазният капак автоматично трябва да се връща в изходно положение.

При извършване на ъглово, конусно или комбинирано рязане, регулирайте плъзгащия се предпазител, за да сте сигурни, че режещият диск е на правилното отстояние.

Не отстранявайте остатъци от рязането или други части от материали, ако машината работи и режещата глава на се намира в състояние на покой.

Не бъркайте в зоната на опасност на работещата машина.

Предпазните устройства на машината да се използват задължително.

За дефекти на машината, включително на предпазителя или на режещите дискове, трябва да се съобщава на лицето, отговорно за безопасността, веднага след като бъдат открити.

Подвижният предпазител да не се затяга в отворено състояние.

Дългите детайли да се подпират по подходящ начин.

Не подменяйте светодиода (LED) с друг.

Отрезната машина за заглаждане на чела да се транспортира само с фиксиран транспортен предпазител на ръкохватката.

При рязане на дърво свържете прахоуловителя към триона.

Не използвайте функцията за засмукване на прах на този уред като истинска прахосмукачка, за да засмукват различни предмети като твърди парчета или пирони. По този начин ще повредите функцията за засмукване.

ЛАЗЕР

Не поглеждайте в лазерния лъч и не го насочвайте към други лица.

Не гледайте в лазер през оптични помощни средства (далекоглед, бинокъл).

Не насочвайте лазера към отражателни повърхности.

Не се подлагайте на лазерно облъчване. Лазерът може да излъчва много силно.

Не заменяйте вграден в електроинструмента лазер с лазер от друг модел.

Ремонти да се извършват само от оторизирани сервизни техници.

ИЗПОЛЗВАНЕ ПО ПРЕДНАЗНАЧЕНИЕ

Трионът е подходящ за използване при рязане на масивен дървен материал, фурнир, подобни на дървен материал материали, алуминиеви профили, цветни метали и пластмаса.

Материали с кръгъл или неравномерен разрез (например дърва за огрев) не трябва да бъдат рязани, тъй като при рязане не разполагат със стабилна опора. При вертикално рязане на плосък дървен материал следва да се използва подходящ помощен ограничител за сигурно направляване.

ОСТАТЪЧНИ РИСКОВЕ

Дори и при правилна употреба на продукта не всички остатъчни рискове могат да бъдат напълно избегнати. Следните рискове могат да възникнат при употребата, поради което работещият с уреда трябва да спазва следното:

- За да се избегнат увреждания на слуха, да се ограничи максимално времето на работа с уреда и да се носи подходяща защита на ушите.
- Препоръчва се работещият с уреда да предприеме мерки за намаляване на ефектите от вибрацията и да ограничи времето на работа с уреда.
- Да се носи защитна маска, за да се избегнат рисковете за здравето, които могат да възникнат от вдишването на стърготини.

ЗАЩИТА НА ДВИГАТЕЛЯ В ЗАВИСИМОСТ ОТ НАТОВАРВАНЕТО

Да се свързва само към еднофазен променлив ток и само към мрежово напрежение, посочено върху заводската табелка. Възможно е и свързване към контакт, който не е от тип „шуко“, понеже конструкцията е от защитен клас II.

Контактите във външните участъци трябва да бъдат оборудвани със защитни прекъсвачи за утечен ток (FI, RCD, PRCD). Това изисква предписанието за инсталиране за електрическата инсталация. Моля спазвайте това при използване на Вашия уред.

Свързвайте машината към контакта само в изключено положение.

Свързващият кабел винаги да се държи извън работния обхват на машината. Кабелът да се отвежда от машината винаги назад.

Преди всяка употреба проверявайте уреда, свързващия кабел, акумулаторния пакет от удължителен кабел и щепсел за повреда или стареене. Повредените части да се поправят само от специалисти.

Рязко увеличение на напрежението води до промени в същото и може да повлияе на други електроуреди включени в същата мрежа. За възможно най-малки промени в напрежението включвайте уреда към източници на енергия със съпротивление от 0,3 Ω.

За допълнителна информация се обрънете към вашия доставчик на електроенергия.



БЪЛ

ПОДДРЪЖКА

Преди каквито и да е работи по машината извадете щепсела от контакта.

Ако е повреден съединителният проводник на електроинструмента, той трябва да се замени със специален предварително подготвен съединителен проводник, който може да се закупи чрез организацията за клиентско обслужване.

Уверете се, че инструментът е с прекъснато електрическо захранване, преди да поставяте или сваляте режещия диск. Сменете износената подложка за маса.

Почиствайте уреда и предпазното съоръжение със суха кърпа. Вентилационните шлицы на машината да се поддържат винаги чисти.

Да се използват само аксесоари на AEG и резервни части на. Елементи, чията подмяна не е описана, да се дадат за подмяна в сервиз на AEG (вижте брошурата „Гаранция и адреси на сервизи“).

При необходимост можете да поискате за уреда от Вашия сервиз или директно от Techtronic Industries GmbH, Max-Eyth-Straße 10, 71364 Winnenden, Germany, чертеж за в случай на експлозия, като посочите типа на машината и номер върху заводската табелка.

СЕ - ДЕКЛАРАЦИЯ ЗА СЪОТВЕТСТВИЕ

Ние декларираме, изцяло на наша отговорност, че продуктът, описан в „Технически данни“, съответства на всички необходими изисквания на директивите 2011/65/EU (RoHS)

2006/42/EO

2014/30/EU

и че са използвани следните хармонизирани стандарти 0

EN 61029-1:2009 + A11:2010

EN 61029-2-9:2012 + A11:2013

EN 55014-1:2006+A1:2009+A2:2011

EN 55014-2:1997 + A1:2001 + A2:2008

EN 61000-3-2:2014

EN 61000-3-11:2000

EN 50581:2012



Winnenden, 2016-03-25

Alexander Krug / Managing Director

Упълномощен за съставяне на техническата документация

Techtronic Industries GmbH

Max-Eyth-Straße 10, 71364 Winnenden, Germany

СИМВОЛИ



ВНИМАНИЕ! ПРЕДУПРЕЖДЕНИЕ! ОПАСНОСТ



Преди каквито и да е работи по машината извадете щепсела от контакта.



Преди пускане на уреда в действие моля прочетете внимателно инструкцията за използване.



При работа с машината винаги носете предпазни очила.



Да се носи предпазно средство за слуха!



Да се носят предпазни ръкавици!



Внимавайте ръцете Ви да не попаднат в обсега на листа на триона.



Уредът е подходящ за използване само в помещения. Да не се излага на дъжд.



Не гледайте към лазерния лъч.



Продуктът съответства на лазерен клас 2 съгласно EN 60825-1:2007.



Електрическите уреди не трябва да се изхвърлят заедно с битовите отпадъци. Електрическото и електронното оборудване трябва да се събира разделно и да се предават на службите за рециклиране на отпадъците според изискванията за опазване на околната среда. Информирайте се при местните служби или при местните специализирани търговци относно местата за събиране и центровете за рециклиране на отпадъци.



Електроинструмент от защитен клас II. Електроинструмент, при който защитата от електрически удар зависи не само от основната изолация, а и от обстоятелството, че се използват допълнителни защитни мерки като двойна изолация или усилена изолация.

Няма приспособление за присъединяване на защитен проводник.



CE-знак



UKrSEPRO знак за съответствие.



EurAsian знак за съответствие.



БЪЛ

DATE TEHNICE	PS 216 L	PS 254 L
Ferăstrău de tăiat corniere / Ferăstrău pentru tăiere oblică *		
Număr producție	4522 03 02... 4522 06 02... ... 000001-999999	4522 09 02... 4522 12 02... ... 000001-999999
Putere nominală de ieșire	220-240 V, 50 Hz, S6(40%), 1500 W, 6,5 A	220-240 V, 50 Hz, S6(40%), 2000 W, 8,3 A
Viteza de mers în gol	5000 min ⁻¹	4500 min ⁻¹
Diametru lamă x diametru orificiu	216 x 30 mm	254 x 30 mm
Grosimea pânzei de ferăstrău	1,6 mm	1,8 mm
Capacitate de tăiere max. Unghi 0° / Înclinație 0° Unghi 45° / Înclinație 0° Unghi 0° / Înclinație 45° Unghi 45° / Înclinație 45°	65 x 305 mm 65 x 215 mm 36 x 305 mm 36 x 215 mm	90 x 305 mm 90 x 215 mm 50 x 305 mm 50 x 215 mm
Dimensiunile minimă ale piesei de prelucrat	130 x 35 x 2,5 mm	130 x 35 x 2,5 mm
Greutatea conform „EPTA procedure 01/2003”	16,7 kg	19,6 kg
Informație privind zgomotul Valori măsurate determinate conform EN 61029-2-9:2009. Nivelul de zgomot evaluat cu A al aparatului este tipic de:		
Nivelul presiunii sonore (Nesiguranță K=3dB(A))	99,2 dB (A)	96,7 dB (A)
Nivelul sunetului (Nesiguranță K=3dB(A))	112,2 dB (A)	109,7 dB (A)
Purtați căști de protecție		
Informații privind vibrațiile Valorile totale de oscilație (suma vectorială pe trei direcții determinate conform normei EN 61029-2-9:2009.		
Tăiere de lemn: Valoarea emisiei de oscilații a _n	3,5 m/s ²	2,133 m/s ²
Nesiguranță K=	1,5 m/s ²	1,5 m/s ²



¹ PS ≙ Ferăstrău de tăiat corniere / Ferăstrău pentru tăiere oblică

² S6-40% indică un profil cu 4 min de solicitare și 6 min de întrerupere.

AVERTISMENT!

Gradul de oscilație indicat în prezentele instrucțiuni a fost măsurat în conformitate cu o procedură de măsurare normată prin norma EN 61029 și poate fi folosit pentru a compara uneltele electrice între ele. El se pretează și pentru o evaluare provizorie a solicitării la oscilații.

Gradul de oscilație indicat reprezintă aplicațiile principale ale uneltelor electrice. În cazul în care însă uneltele electrice au fost folosite pentru alte aplicații, ori au fost folosite uneltele de muncă diferite ori acestea nu au fost supuse unei suficiente inspecții de întreținere, gradul de oscilație poate fi diferit.

Acest fapt poate duce la o creștere netă a solicitărilor la oscilații dealungul întregii perioade de lucru. În scopul unei evaluări exacte a solicitării la oscilații, urmează să fie luate în considerație și perioadele de timp în care aparatul a fost oprit ori funcționează dar, în realitate, el nu este folosit în mod practic. Acest fapt poate duce la o reducere netă a solicitărilor la oscilații dealungul întregii perioade de lucru.

Stabiliți măsuri de siguranță suplimentare în scopul protecției utilizatorului de efectele oscilațiilor, de exemplu: inspecție de întreținere a uneltelor electrice și a celor de muncă, păstrarea caldă a mâinilor, organizarea proceselor de muncă.

⚠️ AVERTISMENT!

Citiți toate avizele de siguranță și indicațiile. Nerespectarea indicațiilor de avertizare și a instrucțiunilor poate provoca electrocutare, incendii și/sau răniiri grave.

Păstrați toate indicațiile de avertizare și instrucțiunile în vederea utilizărilor viitoare.

⚠️ INSTRUCȚIUNI DE SIGURANȚĂ PENTRU FERĂSTRĂU DE TĂIAT CORNIERE / FERĂSTRĂU PENTRU TĂIERE OBLICĂ

Purtați aparatoare de urechi. Expunerea la zgomot poate duce la pierderea auzului.

Purtați întotdeauna ochelari de protecție atunci când utilizați mașina. Se recomandă purtarea mănușilor, a încălțămintei solide nealunecoase și sortului de protecție.

Praful care apare când se lucrează cu această sculă poate fi dăunător sănătății și prin urmare nu trebuie să atingă corpul. Utilizați un sistem de absorbție a prafului și purtați o mască de protecție împotriva prafului. Îndepărtați cu grijă praful depozitat, de ex. cu un aspirator.

Purtați mănuși de protecție!

Înainte de utilizarea sculei, vă rugăm citiți instrucțiunile. Se prezintă scula, dacă este posibil.

Aveți în vedere ca mașina să aibe mereu o poziție sigură (de ex. fixați-o la bancul de montaj).

Păstrați podeaua liberă de resturi de material, de ex. așchii și resturi de la tăiatul lemnului.

Nu folosiți pânze de circular deteriorate ori deformate.

Nu utilizați lamele care nu corespund datelor oferite în prezentele Instrucțiuni de utilizare.

Pot fi utilizate numai scule care corespund EN 847-1.

Nu folosiți pânze de ferăstrău din oțel rapid

Folosiți numai pânze de ferăstrău ascuțite regulamentar.

Folosiți pânza de ferăstrău potrivită pentru materialul care urmează a fi tăiat.

Respectațiturația maximă indicată pe pânza de ferăstrău.

Sculele trebuie transportate și depozitate în recipiente corespunzătoare;

Folosiți pentru fixarea pânzei de ferăstrău numai flanșele furnizate cu mașina și reprezentate în imaginea din instrucțiunile de utilizare .

Nu folosiți ferăstrăul de spintecat niciodată pentru tăierea altor materiale decât cele indicate în instrucțiunile de utilizare.

Ferăstrăul de retezat va fi folosit doar cu învelitoare de protecție bine întreținută și a cărei funcțiune este sigură. Învelitoarea de protecție trebuie să se poată rabata înapoi în mod automat.

În momentul realizării unor tăieturi oblice, conice sau combinate, ajustați fața glisantă pentru a asigura distanța corectă a cuțitului.

Nu îndepărtați resturi de tăiere sau alte părți de piesă din zona de tăiere atâta timp cât mașina se află în mișcare, iar capul fierăstrăului nu a ajuns în poziția de repaus.

Nu intrați niciodată în zona de pericol a plăcii când este în mișcare.

Întotdeauna utilizați ecranele de protecție ale mașinii.

Eventualele deranjamente ale mașinii, inclusiv cele la instalația de protecție respectiv la pânzele de ferăstrău, trebuie comunicate fără întârziere persoanei responsabile pentru siguranță.

Nu fixați aparatul la rabatabil.

Piese lungi se vor sprijini în mod corespunzător.

Nu înlocuiți LED-ul cu un alt tip.

Transportați ferăstrăul de spintecat numai cu siguranța de transport de la mânerul de transport blocat.

Conectați ferăstrăul la un aspirator de praf atunci când tăiați lemn.

Nu utilizați dispozitivul de aspirare al acestui aparat ca aspirator pentru aspirarea unor obiecte dure, ca de ex. bucăți de piese sau cuie. Prin aceasta dispozitivul de aspirare va fi deteriorat.

LASER

Nu priviți în fasciculul laser și nu-l îndreptați asupra altor persoane.

Nu priviți în fasciculul laser cu instrumente optice (binoclu, lunetă).

Nu îndreptați laserul asupra unor suprafețe reflectorizante.

Evitați expunerea la radiația laserului. Laserul poate emite o radiație intensă.

Nu înlocuiți laserul încorporat cu un laser de alt tip.

Reparațiile trebuie efectuate doar de tehnicienii autorizați care se ocupă de service.

CONDIȚII DE UTILIZARE SPECIFICATE

Ferăstrăul de retezat se pretează pentru a rezeza lemn masiv, lemn înclieat, materiale de lucru asemănătoare lemnului, profile din aluminiu, metal neferos și materiale plastice.

Nu este permis ca piesele cu secțiune circulară sau neregulată (de ex. lemne de foc) să fie tăiate la fierăstrău, întrucât în timpul tăierii ele nu sunt fixate în condiții de siguranță. La tăierea pieselor plane în poziție verticală trebuie utilizat un opritor auxiliar adecvat în vederea asigurării unei ghidări sigure.

RISCURI REZIDUALE

Chiar și când produsul este utilizat corect, riscurile reziduale nu pot fi complet excluse. Următoarele riscuri pot apărea în timpul utilizării, de aceea utilizatorul trebuie să țină cont de următoarele:

- Pentru a evita deficiențele auditive trebuie limitat timpul de expunere și trebuie purtată o protecție auditivă adecvată.
- Utilizatorul ar trebui să ia măsuri pentru a reduce efectele vibrațiilor și pentru a limita timpul de expunere.
- Pentru a evita riscurile pentru sănătate care pot apărea din cauza inhalării de praf provenit din prelucrare se va purta o mască pentru protecția respirației.

ALIMENTARE DE LA REȚEA

Conectați numai la priza de curent alternativ monofazat și numai la tensiunea specificată pe placuța indicatoare. Se permite conectarea și la prize fără împamantare dacă modelul se conformează clasei II de securitate.

Aparatele utilizate în multe locații diferite inclusiv în aer liber trebuie conectate printr-un disjunctur (FI, RCD, PRCD) care previne comutarea.

Conectați la rețea numai când mașina este oprită.

Pastrăți cablul de alimentare la o distanță de arie de lucru a mașinii. Întotdeauna țineți cablul în spatele dvs.

Înainte de utilizare, verificați mașina, cablul și stecarul pentru orice defectuni sau uzură a materialului. Reparațiile vor fi efectuate numai de către agenții de service autorizați.

O cădere a tensiunii cauzează fluctuații ale voltajului și poate afecta alte produse electrice de la aceeași sursă de curent. Conectați produsul la o sursă de curent cu o impedanță egală cu 0,3 Ω pentru a reduce fluctuațiile de voltaj.

Contactați furnizorul dvs de energie electrică pentru clarificări ulterioare.

ÎNȚREȚINERE

Întotdeauna scoateți stecarul din priza înainte de a efectua intervenții la mașină.

În cazul în care cablul de conectare al sculei electrice este deteriorat, acesta se înlocuiește cu un cablu special pregătit care se poate obține prin centrele de service.

Asigurați-vă că deconectați unealta de la sursa de alimentare înainte de atașarea sau înlăturarea lamei ferăstrăului.

Înlocuiți inserția uzată a mesei.

Curățați aparatul și dispozitivul de protecție cu o lavetă uscată.

Fantele de aerisire ale mașinii trebuie să fie menținute libere tot timpul

Utilizați numai accesoriile și piesele de schimb AEG. Dacă unele din componente care nu au fost descrise trebuie înlocuite , vă rugăm contactați unul din agenții de service AEG (vezi lista noastră pentru service / garanție)

Dacă este necesară, se poate comanda o imagine descompusă a sculei. Vă rugăm menționați numărul art. Precum și tipul mașinii tipărit pe etichetă și comandați desenul la agenții de service locali sau direct la Techtronic Industries GmbH, Max-Eyth-Straße 10, 71364 Winnenden, Germany.



DECLARAȚIE DE CONFORMITATE

Declaram pe propria răspundere că produsul descris în capitolul „Date tehnice” îndeplinește toate cerințele relevante ale directivelor

2011/65/EU (RoHS)

2006/42/CE

2014/30/EU

și au fost utilizate următoarele standarde armonizate 0

EN 61029-1:2009 + A11:2010

EN 61029-2-9:2012 + A11:2013

EN 55014-1:2006+A1:2009+A2:2011

EN 55014-2:1997 + A1:2001 + A2:2008

EN 61000-3-2:2014

EN 61000-3-11:2000

EN 50581:2012



Sculă electrică cu clasa de protecție II. Sculă electrică la care protecția împotriva unei electrocutări nu depinde doar de izolația de bază, ci și de aplicarea de măsuri suplimentare de protecție, cum ar fi o izolație dublă sau o izolație mai puternică.

Nu există un dispozitiv pentru conectarea unui conductor de protecție.



Marcaj CE



Marcaj de conformitate UkrSEPRO.

TR 086



Marcaj de conformitate EurAsian.



Winnenden, 2016-03-25

Alexander Krug / Managing Director
Împuternicit să elaboreze documentația tehnică.

Techtronic Industries GmbH

Max-Eyth-Straße 10, 71364 Winnenden, Germany

SIMBOLURI



PERICOL! AVERTIZARE! ATENȚIE!



Întotdeauna scoateți stecarul din priză înainte de a efectua intervenții la mașină.



Va rugăm citiți cu atenție instrucțiunile înainte de pornirea mașinii



Purtați întotdeauna ochelari de protecție când utilizați mașina.



Purtați căști de protecție



Purtați mănuși de protecție!



Nu introduceți niciodată mâinile în perimetrul pânzei de circular.



Acest aparat este recomandat doar pentru utilizare în interior. Nu expuneți niciodată aparatul la ploaie.



Nu priviți în fasciculul de laser.



Produsul corespunde clasei de laser 2 conform EN 60825-1:2007.



Aruncarea aparatelor electrice la gunoii menajer este interzisă. Echipamentele electrice și electronice trebuie colectate separat și predate la un centru de reciclare și eliminare a deșeurilor, pentru a fi eliminate ecologic. Interesați-vă la autoritățile locale sau la comerciantul dvs. de specialitate unde se află centre de reciclare și puncte de colectare.

ТЕХНИЧКИ ПОДАТОЦИ	PS 216 L	PS 254 L
Пила за отсекување, влечење и аголна пила *		
Произведен број	4522 03 02... 4522 06 02... ... 000001-999999	4522 09 02... 4522 12 02... ... 000001-999999
Определен внес	220-240 V, 50 Hz, S6(40%), 1500 W, 6,5 A	220-240 V, 50 Hz, S6(40%), 2000 W, 8,3 A
Брзина без оптоварување	5000 min ⁻¹	4500 min ⁻¹
Сечило на пила дијаметар x дијаметар на отвор	216 x 30 mm	254 x 30 mm
Густина на заштите на сечилото на пилата	1,6 mm	1,8 mm
Максимален учинок на сечење агол на навалување 0°/ Нагиб 0° агол на навалување 45°/ Нагиб 0° агол на навалување 0°/ Нагиб 45° агол на навалување 45°/ Нагиб 45°	65 x 305 mm 65 x 215 mm 36 x 305 mm 36 x 215 mm	90 x 305 mm 90 x 215 mm 50 x 305 mm 50 x 215 mm
Мин. Димензии на работно парче	130 x 35 x 2,5 mm	130 x 35 x 2,5 mm
Тежина според ЕПТА-процедурата 01/2003	16,7 kg	19,6 kg
Информации за бучавата Измерените вредности се одредени согласно стандардот EN 61029-2-9:2009. А-оценетото ниво на бучава на апаратот типично изнесува:		
Ниво на звучен притисок. (Несигурност K=3dB(A))	99,2 dB (A)	96,7 dB (A)
Ниво на јачина на звук. (Несигурност K=3dB(A))	112,2 dB (A)	109,7 dB (A)
Носете штитник за уши.		
Информации за вибрации Вкупни вибрациски вредности (векторски збир на трите насоки) пресметани согласно EN 61029-2-9:2009.		
Дрво: Вибрациска емисиона вредност a _h	3,5 m/s ²	2,133 m/s ²
Несигурност K	1,5 m/s ²	1,5 m/s ²

¹ PS ≙ Пила за отсекување, влечење и аголна пила

² S6-40% укажува на оптоварување на профилот од 4 минути и 6 минути празен од.

ПРЕДУПРЕДУВАЊЕ!

Нивото на осцилација наведено во овие инструкции е измерено во согласност со мерните постапки нормирани во EN 61029 и може да биде употребено за меѓусебна споредба на електро-алати. Ова ниво може да се употреби и за привремена проценка на оптоварувањето на осцилацијата.

Наведеното ниво на осцилација ги репрезентира главните намени на електро-алатот. Но, доколку електро-алатот се употребува за други намени, со отстапувачки додатоци или со несоодветно одржување, нивото на осцилација може да отстапи. Тоа може значително да го зголеми оптоварувањето на осцилацијата за време на целиот работен период.

За прецизна проценка на оптоварувањето на осцилацијата предвид треба да бидат земен и времињата, во коишто апаратот е исклучен или работи, но фактички не се употребува. Тоа може значително да го намали оптоварувањето на осцилацијата за време на целиот работен период

Утврдете дополнителни безбедносни мерки за заштита на операторот од влијанието на осцилациите, како на пример: одржување на електро-алатот и на додатоци кон електро-алатот, одржување топли раце, организација на работните процеси.

ПРЕДУПРЕДУВАЊЕ!

Прочитајте ги сите безбедносни упатства и инструкции.

Заборавање на почитувањето на безбедносните упатства и инструкции можат да предизвикаат електричен удар, пожар и/или тешки повреди.

Сочувајте ги сите безбедносни упатства и инструкции за во иднина.

БЕЗБЕДНОСНИ НАПОМЕНИ ЗА ПИЛА ЗА ОТСЕКУВАЊЕ, ВЛЕЧЕЊЕ И АГОЛНА ПИЛА

Носете штитник за уши. Влијанието на бука може да предизвика губење на сетилото за слух.

Секогаш носете ракавици кога ја користите машината. Исто така препорачливо е да се носат очила, цврсти чевли кои не се лизгаат и престилка.

Прашината која се крева при работа со овој алат може да биде штетна по здравјето и затоа не го изложувајте го телото. Користете систем за аспирација на прашината и носете соодветна заштитна маска. Одстранете ја целосно наталожената прашина пр: со правосмукалка.

Носете ракавици!

Пред да го употребите алатот ве молиме прочитајте ги инструкциите. Доколку е возможно со претходна демонстрација.

Обезбедете, машината да стои постојано цврсто (на пример прицврстување на работната маса).

Одржувајте го подот чист од остатоци на материјал, на пример струготини или остатоци од пилење.

Не употребувајте оштетени или деформирани дискови.



Не користете сечила кои не одговараат на пропишаните параметри дадени во овој прирачник за употреба. Семеа да се користи само алат што одговара на нормата EN-847-1

Не користете сечила за пила кои се направени од високобразински челик

Користете само сечила кои се соодветно наострени.

Неопходно е да изберете го виде ножот кој е погоден за материјалот се сече.

Ок клучно значење е да се остане до максимално специфицираната брзина на сечилото.

Алатите треба да се транспортираат и чуваат во соодветен контейнер.

За да го обезбедите сечилото на пилата не користете ножеви различни од постоечките или оние кои се наведени во прирачникот.

Никогаш не ја користете пилата за сечење други материјали освен наведените во прирачникот за употреба.

Употребувајте ја пилата за отсекување само со сигурно функционирачки и добро одржуван заштитен капак. Заштитниот капак мора да се отклонува самостојно.

При спојувањето на цевките под прав агол, под наклон или комбинирани агли под прав агол, подесете ја лизгачката ограда, за да обезбедите правилно минување на ножот.

Не отстранувајте остатоци од пилење или други делови од обработуваните предмети во подрачјето на пилење кога машината работи и кога главата за пилење не е во положба на мирување.

Никогаш не посегнувајте во зоната на опасната работна површина при вклучена машина.

Секогаш користете заштитен штит на машината.

Не ја затегнувајте вртливата заштита.

Долгите парчиња мораат да бидат соодветно потпираани.

Не ја заменувајте ЛЕД сијаличката за друга.

Рачното заклучување мора секогаш да биде во функција при транспорт на пилата за сечење.

Приклучете ја пилата за правосмукалка, кога обработувате дрво.

Не го употребувајте всмукувачот на прав на овој апарат како правосмукалка за да всмукувате предмети како на пример тврди делови од орудија или шајки. Направата за всмукување на тој начин би се оштетила.

ЛАСЕРСКИ

Не гледајте во лазерскиот зрак и не насочувајте го лазерот кон други лица.

Не гледајте во лазерот со оптички помошни средства (двоглед, дурбин).

Не го насочувајте лазерот кон рефлектирачки површини.

Избегнувајте изложување на лазерски зрак. Лазерот може да емитира силно зрачење.

Не ги променувајте инсталираната лазер со различен тип.

Поправки смеат да се изведуваат исклучиво од страна на авторизирани сервисни техничари.

СПЕЦИФИЦИРАНИ УСЛОВИ НА УПОТРЕБА

Пилата за отсекување се употребува за пилење масивно дрво, залепени дрва како и за материјали слични на дрво, алуминиумски профили, не рѓачки метал и пластика.

Предмети со кружен или нерамномерен пресек (на пример огревно дрво) не смеат да се пилат, бидејќи при пилење не можат да се држат сигурно. При аголно пилење рамни предмети мора да се употребува соодветен помошен аншлаг со цел за безбедно водење.

ОСТАТОЧНИ ОПАСНОСТИ

Дури и при уредна употреба на производот не можат во целост да се исклучат остатоци опасности. При употребата можат да се појават следниве ризици, поради кое што корисникот мора да обрати внимание на следново:

- За да се спречи оштетувањето на слухот мора да се ограничи времето на експозиција и да се носи соодветна заштита за слух.
- Корисникот треба да превземе мерки за да го редуцира влијанието на вибрациите и за да го ограничи времето на експозиција.
- Треба да се носи маска за заштита на дишењето за да се избегнат ризици по здравјето кои што можат да настанат од вдишување на правот од пилењето.

ГЛАВНИ ВРСКИ

Да се спои само за една фаза АС коло и само на главниот напон наведен на плочката. Можно е исто така и поврзување на приклучок без заземјување доколку изведбата соодветствува на безбедност од 2 класа.

Уредите кои се користат на многу различни локации вклучувајќи и отворен простор мора да бидат поврзани за струја преку направата за поврзување (FI, RCD, PRCD).

Вклучувањето на кабелот во струја се прави исклучиво машината е исклучена.

Чувајте го кабелот за напојување подалеку од работната површина. Секогаш водете го кабелот позади вас.

Пред употреба проверете дали машината, кабелот и приклучокот се исправни. Ако се оштетени дозволени се поправки исклучиво од авторизираниот сервис.

Кратковремени вршни напони предизвикуваат осцилирање на напонот и можат да извршат влијание врз други електрични производи во истиот струен вод. Приклучете го апаратот на снабдување со струја со импеданца од 0,3 Ω за да минимирате осцилирања на напонот.

Контактирајте го Вашиот снабдевач со енергија за понатамошни информации.

ОДРЖУВАЊЕ

Секогаш кога преземате активности врз машината исклучете го кабелот од струјата.

Доколку приклучниот вод на електричното орудие е оштетено, ќе мора да се замени со специјално подесен вод кој што може да се добие преку сервисната организација.

Уверете се дека алатката е исклучена од напојување пред да го прикачите или отстраните сечилото.

Заменете ја изабаната подлога за маса.

Апаратот и заштитната направа очистете ја со сува крпа.

Вентилациските отвори на машината мора да бидат комплетно отворени постојано.

Користете само AEG додатоци и резервни делови. Доколку некои од компонентите кои не се опишани треба да бидат заменети, Ве молиме контактирајте ги сервисните агенти на AEG (консултирајте ја листата на адреси).

Доколку е потребно можно е да биде набавен детален приказ на алатот. Ве молиме наведете го бројот на артиклот како и типот на машина кој е отпечатан на етикетата и порачајте ја скицата кај локалниот застапник или директно кај: Techtronic Industries GmbH, Max-Eyth-Straße 10, 71364 Winnenden, Germany.

ЕУ-ДЕКЛАРАЦИЈА ЗА СООБРАЗНОСТ

Под целосна лична одговорност изјавуваме дека производот опишан во „Технички податоци“ е во сообразност со сите релевантни прописи од директивите 2011/65/EU (RoHS)

2006/42/EC

2014/30/EU

и дека се применети следните хармонизирани стандарди 0

EN 61029-1:2009 + A11:2010

EN 61029-2-9:2012 + A11:2013

EN 55014-1:2006+A1:2009+A2:2011

EN 55014-2:1997 + A1:2001 + A2:2008

EN 61000-3-2:2014

EN 61000-3-11:2000

EN 50581:2012



Winnenden, 2016-03-25

Alexander Krug / Managing Director

Ополномоштен за составување на техничката документација.

Techtronic Industries GmbH

Max-Eyth-Straße 10, 71364 Winnenden, Germany

СИМБОЛИ



ВНИМАНИЕ! ПРЕДУПРЕДУВАЊЕ! ОПАСНОСТ!



Секогаш кога преземате активности врз машината исклучете го кабелот од струјата.



Ве молиме пред да ја стартувате машината обрнете внимание на упатствата за употреба.



Секогаш при користење на машината носете ракавици.



Носте штитник за уши.



Носете ракавици!



Никогаш не ги поставувајте рацете во подрачјето на дискот за сечење.



Овој алат е исклучиво за внатрешна употреба. Никогаш не го изложувајте алатот на дожд.



Не гледајте во лазерскиот зрак.



Овој производ одговара на класата на лазер 2 согласно EN 60825-1:2007.



Електричните апарати не смеат да се фрлат заедно со домашниот отпад. Електричните и електронските апарати треба да се собираат одделно и да се однесат во соодветниот погон заради нивно фрлање во склад со начелата за заштита на околината. Информирајте се кај Вашите местни служби или кај специјализираниот трговски претставник, каде има такви погони за рециклажа и собирни станици.



Електрично орудие од заштитната категорија II. Електрични орудие чијашто заштита од електричен удар не зависи само од основната изолација туку и од тоа дали ќе се применат дополнителните заштитни мерки како што се двоструките изолации или појачаната изолација.

Не постои никаква направа за приклучување на некој заштитен вод.



CE-знак



UkrSEPRO знак на конформитет.



EurAsian (Евроазиски) знак на конформитет.



ТЕХНІЧНІ ХАРАКТЕРИСТИКИ	PS 216 L	PS 254 L
Торцювальна та вусорізна пила*		
Номер виробу	4522 03 02... 4522 06 02... ... 000001-999999	4522 09 02... 4522 12 02... ... 000001-999999
Номінальна споживана потужність	220-240 V, 50 Hz, S6(40%), 1500 W, 6,5 A	220-240 V, 50 Hz, S6(40%), 2000 W, 8,3 A
Кількість обертів холостого ходу	5000 min ⁻¹	4500 min ⁻¹
Ø пилкового диску x Ø отвору	216 x 30 mm	254 x 30 mm
Товщина пилкового диску	1,6 mm	1,8 mm
Продуктивність різання макс. З'єднання під гострим кутом 0°/ Нахил 0° З'єднання під гострим кутом 45°/ Нахил 0° З'єднання під гострим кутом 0°/ Нахил 45° З'єднання під гострим кутом 45°/ Нахил 45°	65 x 305 mm 65 x 215 mm 36 x 305 mm 36 x 215 mm	90 x 305 mm 90 x 215 mm 50 x 305 mm 50 x 215 mm
Мін. розміри заготовки	130 x 35 x 2,5 mm	130 x 35 x 2,5 mm
Вага згідно з процедурою EPTA 01/2003	16,7 kg	19,6 kg
Інформація про шум Виміряні значення визначені згідно з EN 61029-2-9:2009. Рівень шуму „А” приладу становить в типовому випадку: Рівень звукового тиску (похибка K = 3 дБ(A)) Рівень звукової потужності (похибка K = 3 дБ(A))	99,2 dB (A) 112,2 dB (A)	96,7 dB (A) 109,7 dB (A)
Використовувати засоби захисту органів слуху! Інформація щодо вібрації Сумарні значення вібрації (векторна сума трьох напрямків), встановлені згідно з EN 61029-2-9:2009. Пилання деревини: Значення вібрації a _h похибка K =	3,5 m/s ² 1,5 m/s ²	2,133 m/s ² 1,5 m/s ²



¹ PS Δ Торцювальна та вусорізна пила

² 56–40% означає профіль навантаження 4 хвилини навантаження та період спокою 6 хвилини

ПОПЕРЕДЖЕННЯ!

Рівень вібрації, вказаний в цій інструкції, вимірювався згідно з методом вимірювання, нормованим стандартом EN 61029, і може використовуватися для порівняння електроінструментів. Він призначений також для попередньої оцінки навантаження від вібрації.

Вказаний рівень вібрації відповідає основним сферам використання електроінструменту. Але якщо електроінструмент використовується для іншої мети, з іншими вставними інструментами або при недостатньому технічному обслуговуванні, рівень вібрації може бути іншим. Це може значно підвищити навантаження від вібрації за весь період роботи.

Для точної оцінки навантаження від вібрації необхідно також враховувати час, коли прилад вимкнений або увімкнений, але фактично не використовується. Це може значно зменшити навантаження від вібрації за весь період роботи.

Визначте додаткові заходи безпеки для захисту оператора від дії вібрації, наприклад: Технічне обслуговування електроінструменту та вставних інструментів, зігрівання рук, організація робочих процесів.

ПОПЕРЕДЖЕННЯ!

Прочитайте всі вказівки з техніки безпеки та інструкції.

Упущення при дотриманні вказівок з техніки безпеки та інструкції можуть призвести до ураження електричним струмом, пожежі та/або тяжких травм.

Зберігайте всі вказівки з техніки безпеки та інструкції на майбутнє.

ВКАЗІВКИ З ТЕХНІКИ БЕЗПЕКИ ДЛЯ ТОРЦЮВАЛЬНИХ ТА ВУСОРИЗНИХ ПИЛОК

Користуйтеся засобами захисту органів слуху. Вплив шуму може спричинити втрату слуху.

Під час роботи з машиною завжди носіть захисні окуляри. Радимо носити захисні рукавиці, міцне та нековзне взуття і фартух.

Пил, що утворюється під час роботи, часто буває шкідливим для здоров'я; він не повинен потрапляти в організм. Використовувати засоби для відсмоктування пилу та

додатково носити відповідну маску для захисту від пилу. Відкладення пилу ретельно видаляти, наприклад, пилососом. Носити захисні рукавиці!

Перед першим використанням приладу радимо уважно прочитати цю інструкцію з експлуатації та пройти інструктаж з практичного використання.

Завжди забезпечувати стійке положення машини (наприклад, закріпити на верстаті).

На підлозі не повинно бути залишків матеріалів - стружки та тирси.

Не використовувати пилкові диски, що пошкоджені або деформовані.

Пилкові диски, які не відповідають технічним параметрам цієї інструкції з експлуатації, використовувати не можна.

Слід використовувати лише ті інструменти, які відповідають EN 847-1.

Українська

Не використовувати пилові диски, вироблені з швидкокорозійної сталі.

Використовувати тільки пилові диски, що наточені належним чином.

Вибрати пиловий диск відповідно до оброблюваного матеріалу.

Необхідно витримувати максимальну кількість обертів, вказану на пиловому диску.

Інструменти слід транспортувати та зберігати в відповідному контейнері.

Використовувати для кріплення пилового диску тільки фланці, які постачаються з пилою та представлені на ілюстраціях в інструкції з експлуатації.

Торцювальну пилку ніколи не використовувати для різання інших матеріалів, крім тих, що вказані в інструкції з експлуатації.

Використовувати торцювальну пилку тільки з захисним кожухом, який надійно функціонує та регулярно проходить технічне обслуговування. Захисний кожух повинен автоматично повертатися назад.

Відрегулювати направляючий упор для різання під кутом, з нахилом або для комбінованого різання так, щоб встановити правильний зазор для подавання.

Не видаляти стружку або інші частини заготовок з області пиляння, коли машина працює і голівка пилки не знаходиться в положенні зупинки.

Частини тіла не повинні потрапляти в небезпечну область машини, коли вона працює.

Обов'язково користуватися захисним обладнанням машини.

Необхідно повідомити відповідальній особі про несправності машини, в тому числі несправності захисного пристрою або пилового диску, як тільки вони виявляються.

Чи не фіксуйте поворотне захисну огорожу.

Для довгих заготовок необхідні відповідні опори.

Не можна замінювати світлодіод іншим.

Переносити торцювальну пилку за рукоятку тільки з заблокованим транспортним фіксатором.

При пилянні деревини під'єднайте пилку до пиლოსоса.

Не використовуйте засіб для відсмоктування пилу, встановлений в цьому пристрої, як пиლოსос, щоб всмоктувати предмети, наприклад, тверді деталі заготовки або цвяхи. Це пошкодить відсмоктувальний пристрій.

ЛАЗЕР

Не дивитися в промінь лазера і не спрямовувати його на інших осіб.

Не дивитися в струмінь лазера через оптичні допоміжні засоби (бінокль, оптична труба).

Не спрямовувати лазер на відбиваючі поверхні.

Не спрямовуйте промінь лазера на людей. Лазер може бути джерелом небезпечного випромінювання.

Не замінювати вбудований лазер іншим.

Ремонт можуть виконувати тільки авторизовані техніки сервісної служби.

ВИКОРИСТАННЯ ЗА ПРИЗНАЧЕННЯМ

Торцювальна пилка може використовуватися для різання масивної деревини, клеєної деревини, матеріалів, подібних до деревини, алюмінієвих профілів, кольорових металів та полімерних матеріалів.

Не можна розпилювати заготовки з круглим або нерівним перерізом (наприклад, дрова), бо їх неможливо надійно утримувати при пилянні. При пилянні плоских заготовок, що стоять на ребрі, необхідно використовувати відповідний допоміжний упор для безпечного спрямування пилки.

ЗАЛИШКОВІ БЕЗБЕПЕКИ

Навіть при належному застосуванні виробу неможливо повністю виключити залишкові ризики. При використанні можуть виникати наступні ризики, і тому користувач повинен звертати увагу на наступне:

- Щоб запобігти ураженню слуху, необхідно знизити час впливу та носити відповідні засоби захисту органів слуху.
- Користувач повинен вжити заходів, щоб знизити дію вібрації та обмежити тривалість дії вібрації.
- Необхідно носити фільтруючу захисну маску, щоб уникнути ризиків для здоров'я внаслідок вдихання пилу після пиляння.



ПІДКЛЮЧЕННЯ ДО МЕРЕЖІ

Підключати лише до однофазного змінного струму і напруги мережі, які вказані на фірмовій табличці з паспортними даними. Можливе підключення також до штепсельних розеток без захисного контакту, адже конструкція має клас захисту II.

Штепсельні розетки за межами приміщень та на вологих ділянках повинні бути оснащені автоматичним запобіжним вимикачем, який спрацює при появі струму витоку (FI, RCD, PRCD). Для цього необхідні монтажні інструкції для вашої електричної системи. Майте це на увазі при користуванні нашим пристроєм.

Під'єднати машину до штепсельної розетки тільки в вимкненому стані.

З'єднувальний кабель завжди тримати за межами радіуса дії машини. Вести кабель завжди позаду машини.

Перед кожним використанням пристроїв, з'єднувальний кабель, подовжувач для акумуляторної батареї та штекер необхідно перевірити на наявність ознак пошкодження або старіння. Ремонт пошкоджених деталей доручається лише фахівцям.

Короткочасні піки напруги призводять до коливання напруги та можуть впливати на інші електричні виробни в тій самій лінії струму. Підключайте пристрій до лінії енергоживлення з загальним опором 0,3 Ом, щоб знизити до мінімуму коливання напруги.

Подальшу інформацію можна отримати у вашій організації енергопостачання.

ОБСЛУГОВУВАННЯ

Перед будь-якими роботами на машині витягнути штекер із штепсельної розетки.

Якщо лінія з'єднання електроінструменту з джерелом живлення пошкоджена, її необхідно замінити спеціальним проводом живлення, який можна отримати через організацію сервісного обслуговування.

Замінити зношену вкладку стола.

Чистити прилад та захисний пристрій сухою серветкою.

Завжди підтримувати чистоту вентиляційних отворів.

Використовувати комплектуючі та запчастини тільки від AEG. Деталі, заміна яких не описується, замінювати тільки в відділі обслуговування клієнтів AEG (зверніть увагу на брошуру „Гарантія / адреси сервісних центрів“).

У разі необхідності можна запросити креслення з зображенням вузлів машини в перспективному вигляді, для цього потрібно звернутися в ваш відділ обслуговування клієнтів або безпосередньо в Techtronic Industries GmbH, Max-Eyth-Straße 10, 71364 Winnenden, Німеччина, та вказати тип машини та шестизначний номер на фірмовій табличці з даними машини.



СЕРТИФІКАТ ВІДПОВІДНОСТІ ВИМОГАМ ЄС

Ми заявляємо на власну відповідальність, що виріб, описаний в „Технічних даних“, відповідає всім застосовним положенням директиви

2011/65/EU (RoHS)

2006/42/EC

2014/30/EU

та наступним гармонізованим нормативним документам: 0

EN 61029-1:2009 + A11:2010

EN 61029-2-9:2012 + A11:2013

EN 55014-1:2006+A1:2009+A2:2011

EN 55014-2:1997 + A1:2001 + A2:2008

EN 61000-3-2:2014

EN 61000-3-11:2000

EN 50581:2012



Winnenden, 2016-03-25

Alexander Krug / Managing Director

Уповноважений із складання технічної документації.

Techtronic Industries GmbH

Max-Eyth-Straße 10, 71364 Winnenden, Germany

СИМВОЛИ



УВАГА! ПОПЕРЕДЖЕННЯ! НЕБЕЗПЕЧНО!



Перед будь-якими роботами на машині витягнути штекер із штепсельної розетки.



Уважно прочитайте інструкцію з експлуатації перед введенням приладу в дію.



Під час роботи з машиною завжди носити захисні окуляри.



Використовувати засоби захисту органів слуху!



Носити захисні рукавиці!



Руки ніколи не повинні знаходитися в області пилкового диску.



Пристрій підходить тільки для використання в приміщеннях, не виставляти пристрій під дощ.



Не дивитися в лазерний промінь



Виріб відповідає класу лазера 2 згідно з EN 60825-1:2007.



Електричні прилади не можна утилізувати з побутовими відходами. Електричні та електронні прилади необхідно збирати окремо та здавати в спеціалізовані підприємства для утилізації, що не шкодить навколишньому середовищу. Зверніться до місцевих органів або до вашого дилера, щоб отримати адреси пунктів вторинної переробки та пунктів прийому.



Електроінструмент класу захисту II.

Електроінструмент, в якому захист від враження електричним струмом залежить не лише від базової ізоляції, але й від використовуваних додаткових засобів захисту, таких як подвійна ізоляція або посилена ізоляція.

Немає пристроїв для підключення захисного з'єднання.



Знак CE



Знак відповідності для UkrSEPRO



Знак відповідності для Європи та Азії EurAsian

تعلن تحت مسؤوليةنا وحدنا أن المنتج المعين تحت اسم
البيانات الفنية" يستوفي جميع الأحكام ذات الصلة ضمن
التوجيهات

2011/65/EU (Rohs)
2006/42/EG
2014/30/EU

والمعايير المتسقة التالية 0

EN 61029-1:2009 + A11:2010

EN 61029-2-9:2012 + A11:2013

EN 55014-1:2006+A1:2009+A2:2011

EN 55014-2:1997 + A1:2001 + A2:2008

EN 61000-3-2:2014

EN 61000-3-11:2000

EN 50581:2012



Winnenden, 2016-03-25



Alexander Krug

Alexander Krug / Managing Director
معمدة المطابقة مع الملف الفني

Techtronic Industries GmbH
Max-Eyth-Straße 10, 71364 Winnenden,
Germany

تنبه! تحذير! خطراً



افصل دائماً القابس عن المقبس قبل تنفيذ أي عمل
بالجهاز.



يرجى قراءة التعليمات بعناية قبل بدء تشغيل الجهاز.



ارتد دائماً نظارات الوقاية عند استخدام الجهاز.



ارتد واقيات الأذن!



ارتد القفازات!



احتفظ دائماً بيدك بعيداً عن مسار شفرة المنشار.



هذه الأداة مناسبة للاستخدام الداخلي فقط. لا تُعرض
الألة للمطر مطلقاً.



لا تحدد في الشعاع.



يتوافق هذا المنتج مع فئة الليزر 2 وفقاً
لمعيار EN 60825-1:2007



يحظر التخلص من الأجهزة الكهربائية في القمامة
المنزلية. يجب جمع الأجهزة الكهربائية والإلكترونية
منفصلة وتسليمها للتخلص منها بشكل لا يضر
بالبيئة لدى شركة إعادة استغلال الرجاء الاستفسار
لدى الهيئات المحلية أو لدى التجار المتخصصين عن
مواقع إعادة الاستغلال ومواقع الجمع.



أداة كهربائية ذات درجة حماية 2 أداة كهربائية لا
تتوقف الحماية فيها من الصعق الكهربائي ليس فقط
على العزل الأساسي، بل أيضاً على إجراءات الحماية
الإضافية، مثل العزل المزدوج أو العزل المقوى.
ليس هناك تجهيزة لتوصيل تاريز واقى



علامة المطابقة الأوروبية



علامة المطابقة UkrSEPRO



علامة المطابقة الأوروبية الآسيوية



اعمل على نقل أو تخزين الأدوات في حاوية مناسبة؛

لا تستخدم أي شفاة غير تلك المرفقة أو المبيّنة في دليل التعليمات لتأمين شفرة المنشار.

لا تستخدم منشار التلسين في قطع أي مواد غير المبيّنة في دليل التعليمات.

استخدم المنشار فقط مع أدوات الوقاية بترتيب صحيح للعمل والحفاظ عليهما في الوضع الصحيح.

عند القيام بالقطوعات المائلة أو المخروطية أو الزاوية المركبة، قم بتعديل الحاجر المنزلق لضمان تخلص القطع من النصل بشكل صحيح.

لا تعمل على إزالة أي فضلات للقطع أو غيرها من أجزاء قطعة العمل من منطقة القطع أثناء تشغيل الماكينة وحينما يكون رأس المنشار ليس في وضع السكون.

لا تصل أبداً إلى منطقة الخطر للألة عندما تكون قيد التشغيل. استخدم دائماً درع الوقاية عند تشغيل الألة.

يجب إبلاغ المسؤولين أو الأشخاص المعنيين بالسلامة بأية أخطاء تنجم عن الماكينة، ويشمل ذلك الأخطاء المتعلقة بالوقاية أو شفرات المنشار، وذلك بمجرد اكتشاف الخطأ. لا تثبت واعي الحماية المتأرجح.

يجب عدم قطع العمل الطويلة بشكل كافٍ.

لا تقم باستبدال الـ LED بطراز آخر.

يجب دائماً تشغيل قفل المقبض عند نقل منشار التلسين.

عند نشر الأخشاب قم بتوصيل المنشار بمكنسة كهربائية. يُرجى عدم استخدام هذا الجهاز كمكنسة كهربائية بالتقاط جميع الأغراض مثل القطع الصلبة أو مسامير الدق وغيرها، فذلك يسبب تلفاً بالمروحة.

الليزر

لا تحديق في الشعاع. لا توجه ضوء الليزر على الأشخاص الآخرين.

لا تنظر إلى الشعاع مباشرة بالأدوات البصرية (مجهر ثنائي العينين أو تلسكوب)...

لا توجه الليزر على الأسطح العاكسة،

تجنب التعرض لإشعاع الليزر. قد يصدر الليزر إشعاعات خطيرة.

حرك حاجز القطع بعيداً عن مسار العمل عند القطع المتعامد. لا يجوز إجراء إصلاحات إلا من فنيين الخدمة المعتمدين فقط.

شروط الاستخدام المحددة

كما يمكن استخدام منشار التلسين في نشر الخشب المصمت والخشب المضغوط والقشرة الخشبية الملصقة والمواد المشابهة للخشب، وقطاعات الألومنيوم والمواد التي لا تحتوي على الحديد والبلستيك.

لا يجب قطع الجذع الذي به مقطع عرضي مستدير أو غير منتظم (مثل خشب الورد)، حيث لا يمكن تثبيته بشكل آمن أثناء القطع. عند نشر جذع رقيق من عند الحافة، يتعين استخدام سياج إضافي مناسب للدعم المثابت.

المخاطر المتبقية

حتى في حالة استخدام المنتج تبعاً للتعليمات لا يمكن استبعاد باقي المخاطر بشكل تام. في حالة الاستخدام يمكن حدوث المخاطر التالية، لذا يجب على المستخدم مراعاة ما يلي:

- لتجنب أضرار السمع، يجب قصر فترة التعرض للخطر وارتداء واقي مناسب للسمع.
- يجب على المستخدم اتخاذ إجراءات لخفض تأثير الاهتزاز والحد من فترة التعرض للخطر.
- يجب ارتداء قناع واقي للتنفس، لتجنب المخاطر الصحية، التي يمكن أن تنتج من جراء استنشاق أتربة النشارة.

توصيل الموصلات الرئيسية

قم بالتوصيل بتيار متردد أحادي الطور وبنظام الجهد الكهربائي المحدد على لوحة الجهد المقنن فقط. يمكن أيضاً التوصيل بالمقاييس غير المؤرّضة حيث يتطابق التصميم مع معايير سلامة الفئة الثانية لحماية الأجهزة الكهربائية.

يجب تزويد الفواض في الغرف الرطبة وفي الأماكن الخارجية بأزرار حماية ضد تيار العطل (FI, RCD, PRCD). هذا يتطلب تعليمات التركيب الخاصة بجهازك. الرجاء مراعاة ذلك عند استخدام جهازنا.

يتم توصيل القابض فقط عندما تكون الآلة مطفاة.

ابق السلك الرئيسي بعيداً عن نطاق عمل الجهاز. ابق دائماً السلك بعيداً عنك أو خلفك.

وقبل الاستخدام، تحقق من حالة الماكينة والكبل والقابض لاحتمال وجود أي تلف أو كلال بالمواد. يجب أن يقوم بتنفيذ الإصلاحات عملاء صيانة معتمدين.

يتسبب ارتفاع الطاقة في تذبذب فولتية التيار الكهربائي وقد يؤثر في المنتجات الكهربائية الأخرى الموجودة على نفس خط الطاقة. قم بتوصيل المنتج بمصدر طاقة ذي مقاومة تساوي 0.3 أوم لتقليل تذبذب فولتية التيار الكهربائي إلى الحد الأدنى.

تواصل مع مورد الطاقة الكهربائية للمزيد من التوضيح.

الصيانة

افصل دائماً القابض عن المقبس قبل تنفيذ أي عمل بالجهاز.

إذا تعرضت سلك التيار الخاص بالأداة الكهربائية للضرر، يجب استبداله بسلك تيار خاص معد لذلك يمكن الحصول عليه من خدمة العملاء

تأكد من فصل الأداة من مزود الطاقة قبل تركيب أو إزالة شفرة المنشار.

استبدل ملقمة الطاولة عند تأكلها

نظف الجهاز وحاجب الحماية بفضة جافة.

يجب أن تكون فتحات تهوية الجهاز نظيفة طوال الوقت.

استخدم ملحقات AEG وقطع الغيار التابعة لها فقط. إذا كانت المكونات التي يجب تغييرها غير مذكورة، يرجى الاتصال بأحد عملاء صيانة AEG (انظر قائمة عناوين الضمان/الصيانة الخاصة بنا).

عند الحاجة يمكن طلب رمز انفجار الجهاز بعد ذكر طراز الألة والرقم الماسي المذكور على بطاقة طاقة الآلة لدى جهة خدمة العملاء أو مباشرة لدى شركة

Techtronic Industries GmbH
Max-Eyth-Straße 10
71364 Winnenden
المانيا

PS 254 L	PS 216 L	البيانات الفنية متشار زاوية *
4522 09 02... 4522 12 02... ... 000001-999999	4522 03 02... 4522 06 02... ... 000001-999999	إنتاج عدد
220-240 V, 50 Hz, S6(40%), 2000 W, 8,3 A	220-240 V, 50 Hz, S6(40%), 1500 W, 6,5 A	الدخل المقدر
4500 min ⁻¹	5000 min ⁻¹	أقصى سرعة دون وجود حمل
254 x 30 mm	216 x 30 mm	قطر شفرة المنشار x قطر الثقب
1,8 mm	1,6 mm	سُمك شفرة المنشار
90 x 305 mm 90 x 215 mm 50 x 305 mm 50 x 215 mm	65 x 305 mm 65 x 215 mm 36 x 305 mm 36 x 215 mm	الحد الأقصى لقطر القطع القطع المائل 0° / الانحدار 0° القطع المائل 45° / الانحدار 0° القطع المائل 0° / الانحدار 45° القطع المائل 45° / الانحدار 45°
130 x 35 x 2,5 mm	130 x 35 x 2,5 mm	الحد الأدنى لأبعاد قطعة العمل
19,6 kg	16,7 kg	الوزن وفقاً لنهج EPTA رقم 01/2003
معلومات الضوضاء		
القيم التي تم قياسها محددة وفقاً للمعايير الأوروبية EN 61029-2-9:2009 مستويات ضوضاء الجهاز، ترجيح أ بشكل نموذجي كالتالي:		
96,7 dB (A)	99,2 dB (A)	مستوى ضغط الصوت (الارتباب في القياس = 3 ديسيبل (أ))
109,7 dB (A)	112,2 dB (A)	مستوى شدة الصوت (الارتباب في القياس = 3 ديسيبل (أ))
ارتد وأقيات الأذن!		
معلومات الاهتزاز		
قيم الذبذبات الإجمالية (مجموع الكميات الموجهة في المحاور الثلاثة) محددة وفقاً للمعايير الأوروبية EN 61029.		
2,133 m/s ²	3,5 m/s ²	نشر الخشب: قيمة انبعاث الذبذبات a _h
1,5 m/s ²	1,5 m/s ²	الارتباب في القياس



PS 1 منشار زاوية
2 تُشير صيغة «إس40-6» إلى مستوى أحمال قدره 4 دقائق من التشغيل و 6 دقائق من الإراحة

تحذير!

تم قياس مستوى انبعاث الذبذبات الموجود بوثيقة المعلومات هذه وفقاً للاختبار القياسي وفقاً للمعايير الأوروبية EN 61029 ويمكن استخدامه لمقارنة جهاز بغيره. كما يمكن استخدامه لعرض تقييم تمهيدي.

يمثل مستوى انبعاث الذبذبات المعلن عنه تطبيقات الجهاز الرئيسية. بالرغم من ذلك، فإنه إذا ما تم استخدام الجهاز لتطبيقات مختلفة، بملحقات مختلفة أو لم يتم المحافظة عليه، فقد يختلف انبعاث الذبذبات. قد يزيد ذلك بصورة كبيرة من مستوى التعرض للذبذبات طوال فترة العمل الإجمالية.

يجب الوضع في الاعتبار عند تقدير مستوى التعرض للذبذبات مرات إيقاف الجهاز أو تشغيله لكن دون استخدامه في القيام بمهمة. فقد يقل ذلك بصورة كبيرة من مستوى التعرض للذبذبات طوال فترة العمل الإجمالية.

تعرف على معايير السلامة الإضافية لحماية المشغل من آثار الذبذبات مثل: صيانة الجهاز والملحقات، الحفاظ على دفة الأيدي، وتنظيم نماذج العمل.

تحذير!

اقرأ جميع تحذيرات السلامة وجميع التعليمات، بما فيها، قد يؤدي الفشل في مراعاة التحذيرات والتعليمات إلى التعرض للإصابة بصدمة كهربية أو الحرق وأو إصابة خطيرة.
احفظ جميع التنبيهات والتعليمات للرجوع إليها مستقبلاً.

تعليمات سلامة منشار التسنين

ارتد وأقيات الأذن. ارتد قد يسبب التعرض للضوضاء إلى فقدان السمع.

ارتد نظارات الوقاية عند استخدام الجهاز دائماً. ينصح بارتداء قفازات الوقاية، الأحذية القوية غير المنزلقة والمنزور.

قد تكون الأتربة الناتجة عن استخدام هذه الآلة ضارة بالصحة. لا تستنشق هذه الأتربة. استخدم نظام امتصاص الأتربة وارتد قناعاً واقياً من الأتربة مناسباً. قم بإزالة الأتربة الموجودة تماماً، باستخدام المكنسة الكهربائية على سبيل المثال.

ارتد القفازات!

زُرْجِي قراءة التعليمات قبل استخدام الأداة، قم باستعراض الأداة عملياً إن أمكن.

AEG

POWERTOOLS

www.aeg-powertools.eu

(03.16)
4931 4252 28



Techtronic Industries GmbH
Max-Eyth-Straße 10
71364 Winnenden
Germany